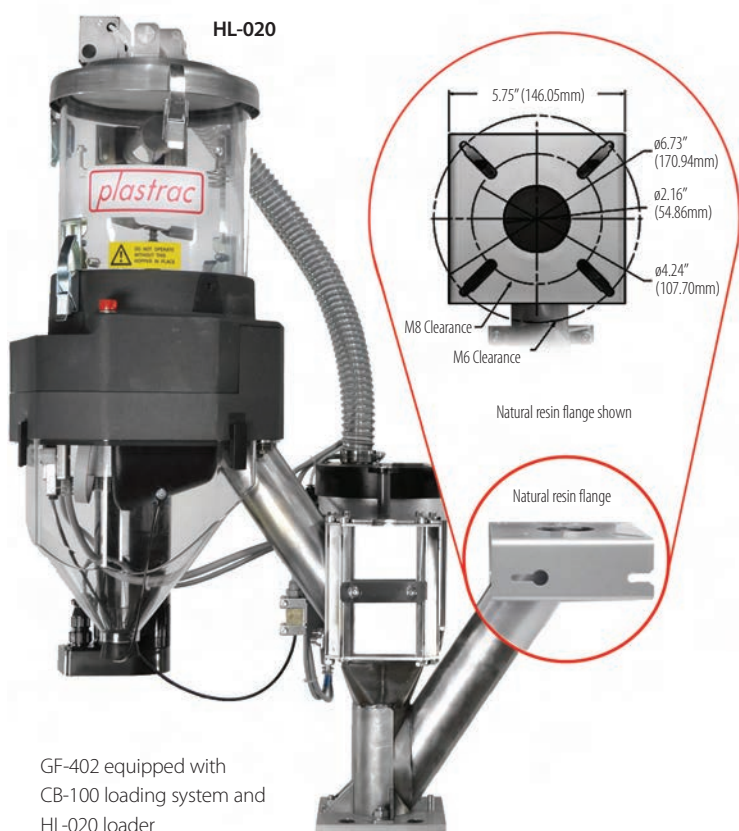




Auto-Disc™ Model GF-402



GF-402 equipped with
CB-100 loading system and
HL-020 loader



Additional top castings available for quick color changes

GF-400 Series Gravimetric Flood Fed

Accurate Feeding. Total Flexibility.

GF-400 series systems synchronously and accurately blend one gravity or flood fed natural resin with up to four metered ingredients (color, additive, regrind). Our Auto-Disc™ feeders meter material, in real time, directly on the machine throat, throughout the entire recovery period, to provide a homogeneous blend. All GF models feed up to 2000 lbs (1000 kg) of material per hour. The GF-402 is a 2-component system (1 flood fed natural resin and 1 metered ingredient); the GF-403 is a 3-component system (1 flood fed natural resin and 2 metered ingredients); and the GF-404 is a 4-component system (1 flood fed natural resin and 3 metered ingredients). A completely modular design allows easy expansion from a 2-component system up to a 4 component system.

GF series gravimetric flood fed systems have completely self-contained push-button calibration, recipes, and security settings at your fingertips. All models fit right onto virtually any injection, extrusion, and blow molding process.

Standard Features

- Handles all pellet types and regrind
- Automatic calibration system
- Integrated material low-level sensors
- Quick-access top housings for lightning-fast color changes
- Control unit with 80-character alphanumeric LCD display
- Stores up to 250 custom recipes
- Material usage totalizer
- Multi-language operating system



GF-400 Series Lineup



GF-402

Gravimetric Blender with Loading System

2-Components:

- 1 flood fed natural resin
- +
- 1 metered ingredient

GF-403

Gravimetric Blender with Loading System

3-Components:

- 1 flood fed natural resin
- +
- 2 metered ingredients

GF-404

Gravimetric Blender with Loading System

4-Components:

- 1 flood fed natural resin
- +
- 3 metered ingredients

