

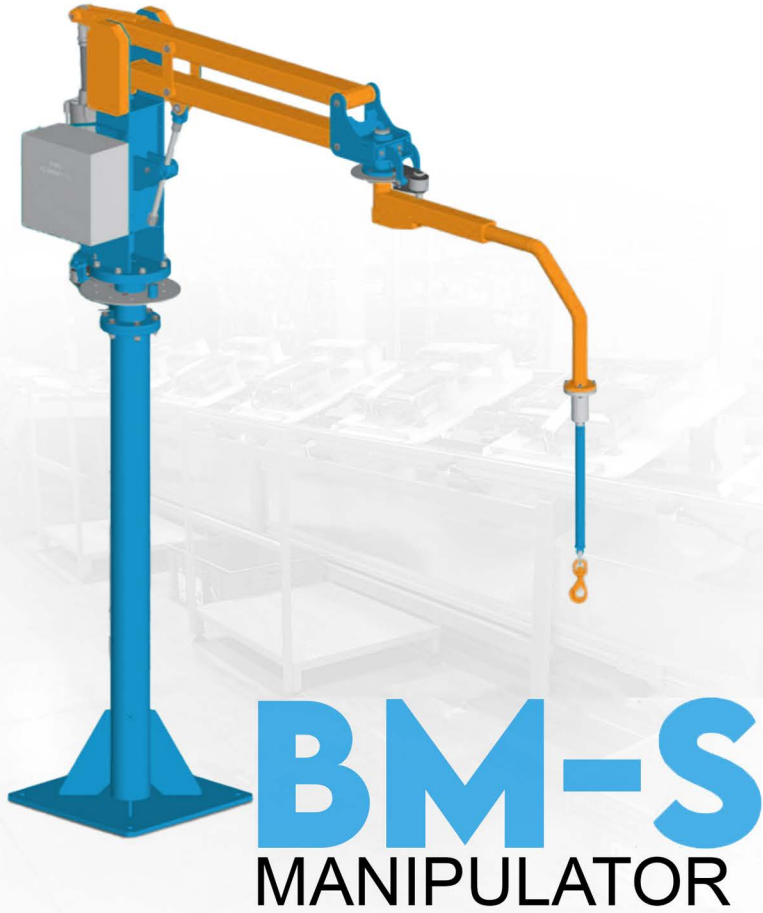


**FEEL THE POWER**

[satis@teknomasyon.com](mailto:satis@teknomasyon.com)

[www.teknomasyon.com](http://www.teknomasyon.com)

[export@bluetech.com.tr](mailto:export@bluetech.com.tr)

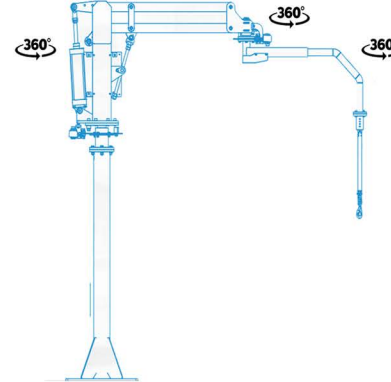


## Technical Specifications

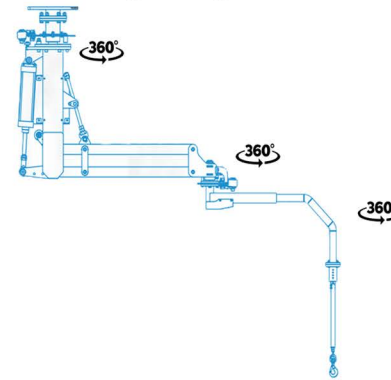
Carrying Capacity (kg)	85	65	50	40
Vertical Movement (mm)	800	1000	1200	1400
Minimum Radius (mm)	600	650	700	750
Maximum Radius (mm)	1500	2000	2500	3000

## MODEL

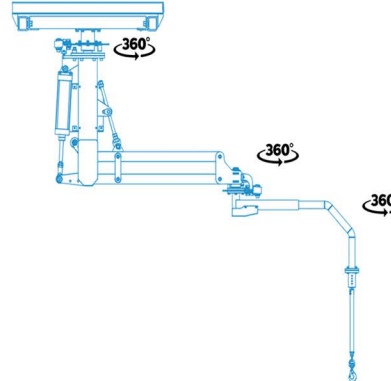
### BM-S-KS



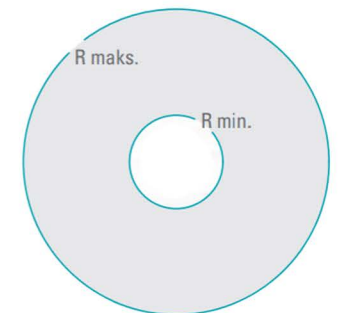
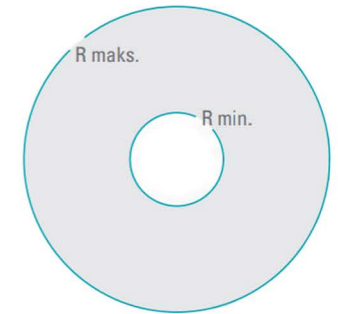
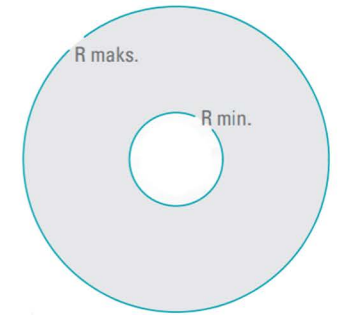
### BM-S-TS

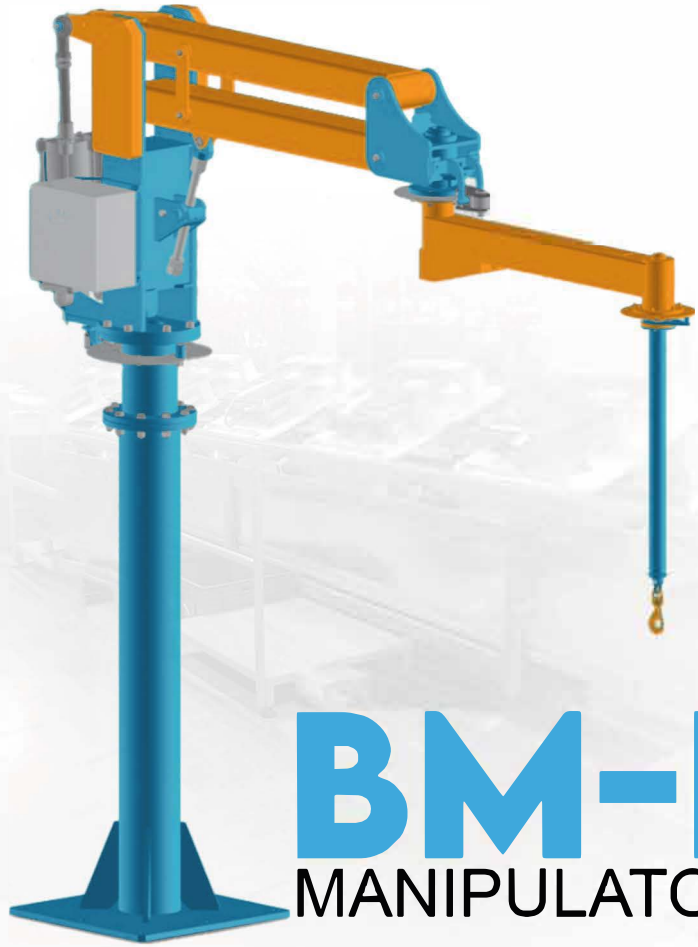


### BM-S-RS



## SCAN AREA





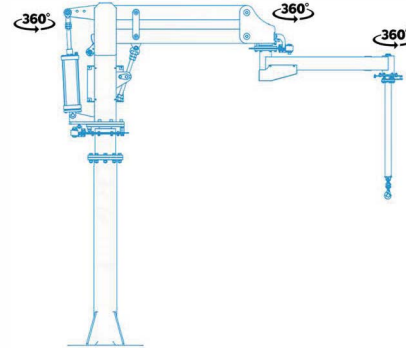
# BM-M MANIPULATOR

## Technical Specifications

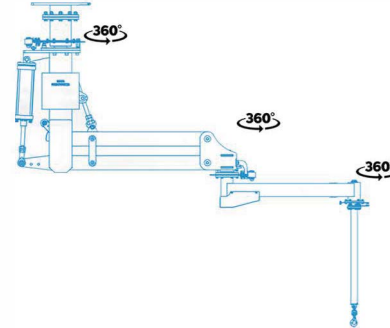
Carrying Capacity (kg)	500	400	335	285	160
Vertical Movement (mm)	1400	1400	1800	2100	1700
Minimum Radius (mm)	750	800	850	950	940
Maximum Radius (mm)	2000	2500	3000	3500	2700

## MODEL

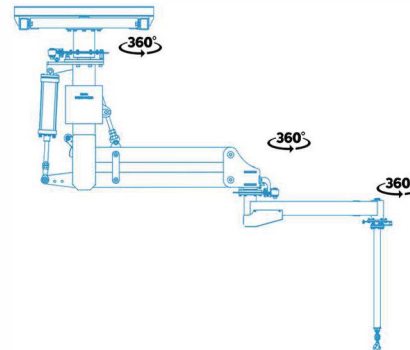
### BM-M-KS



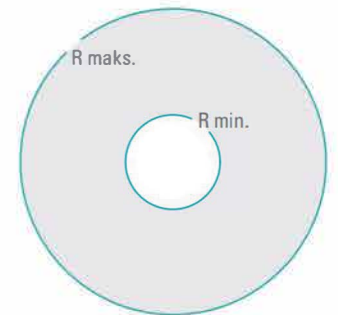
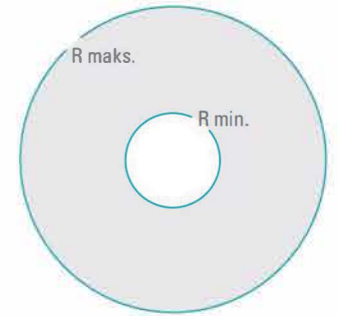
### BM-M-TS

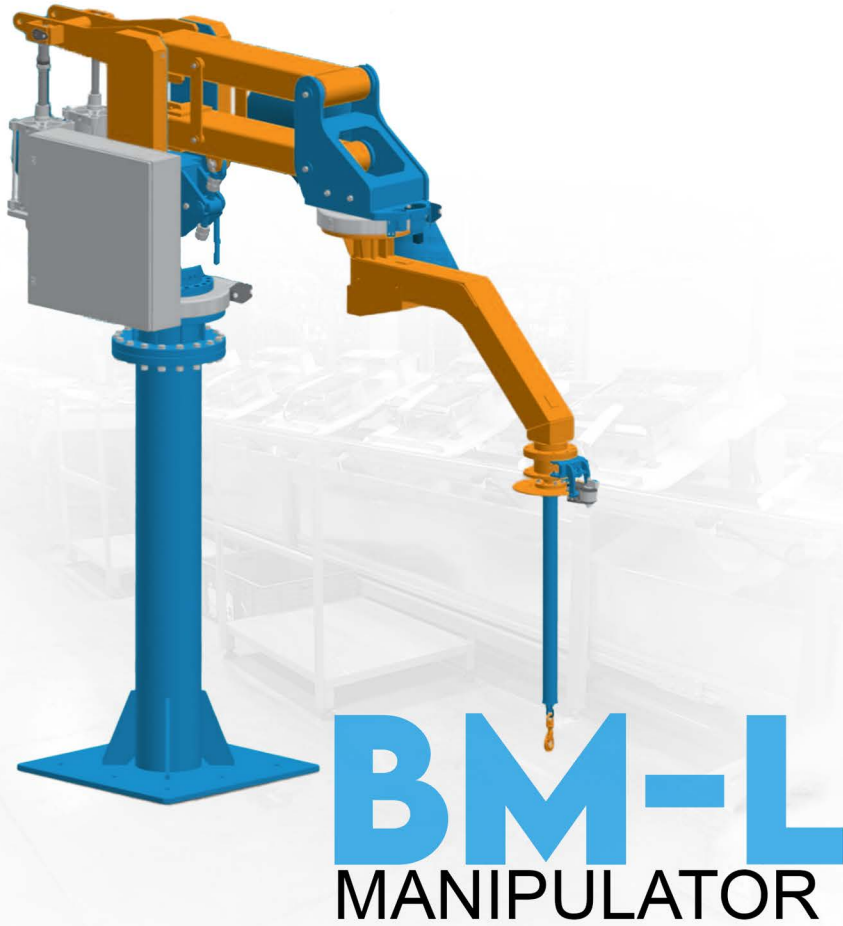


### BM-M-RS



## SCAN AREA



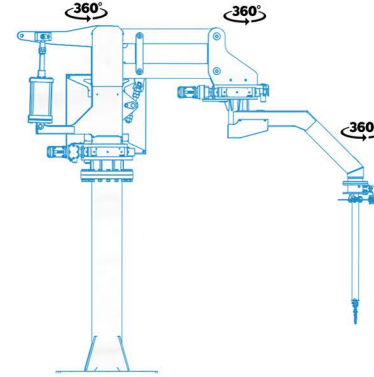


## Technical Specifications

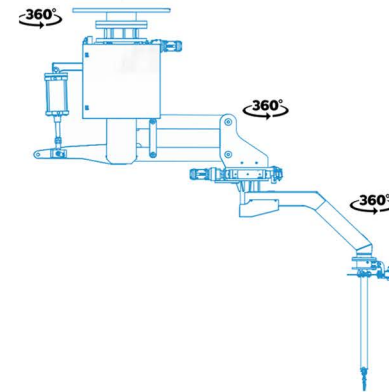
Carrying Capacity (kg)	1500	1200	950	800	700	650
Vertical Movement (mm)	1500	1800	2100	2400	2700	3000
Minimum Radius (mm)	800	900	1000	1100	1250	1400
Maximum Radius (mm)	2500	3000	3500	4000	4500	5000

## MODEL

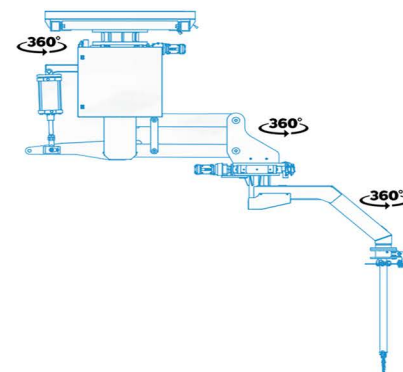
### BM-L-KS



### BM-L-TS



### BM-L-RS



## SCAN AREA

