

# CURIOSITY

## TOTAL HYGIENIC OPTICAL SORTER



AN **ATS** COMPANY



**Curiosity** is the first optical sorting machine born to achieve the totally hygienic compliance according to the **EHEDG guidelines**. A new design has allowed us to match the strongest efficiency with the highest demand for openness, cleanliness and facility of tidying.

Guided by our powerful **UNYCO** software, Curiosity can detect all the defects you are looking to reject, while caring for the good product. Raytec provides carefully crafted solutions to select and deliver the best nature of your products: we are passion and technology at the service of food safety and quality.



UNYCO is the intuitive and user-friendly software that allows the user to set recipes on the CURIOSITY sorter, according to the product to be selected.

UNYCO software performs the following functions:

- it processes the signals resulting from the interaction of the 10-frequency Decaray with the objects, highlighting the defects with respect to compliant products;
- it recognizes the shape of the objects or parts of them by highlighting incorrect shapes with respect to those of the compliant products;
- it performs statistical analysis relating to the quantity of objects processed, the quantity of compliant products and that of non-compliant products divided by the type of defect and waste output.

Industry 4.0



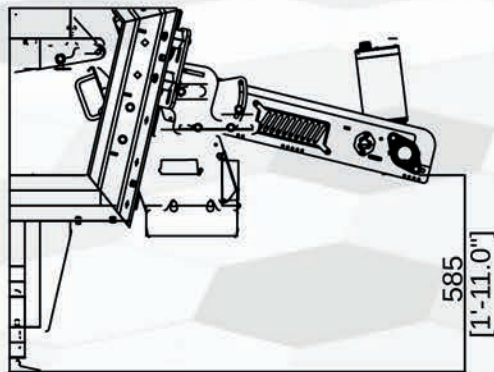
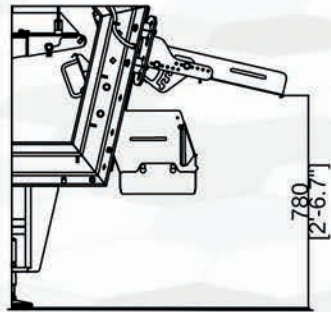
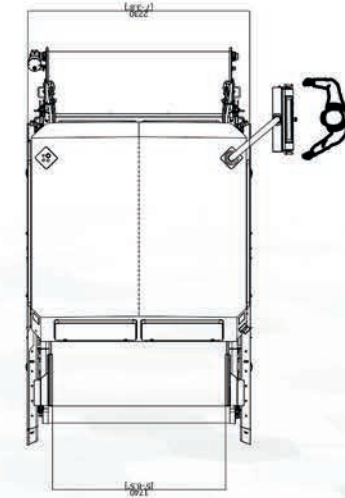
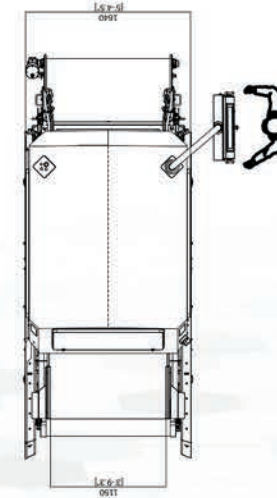
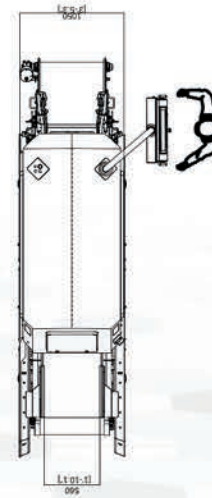
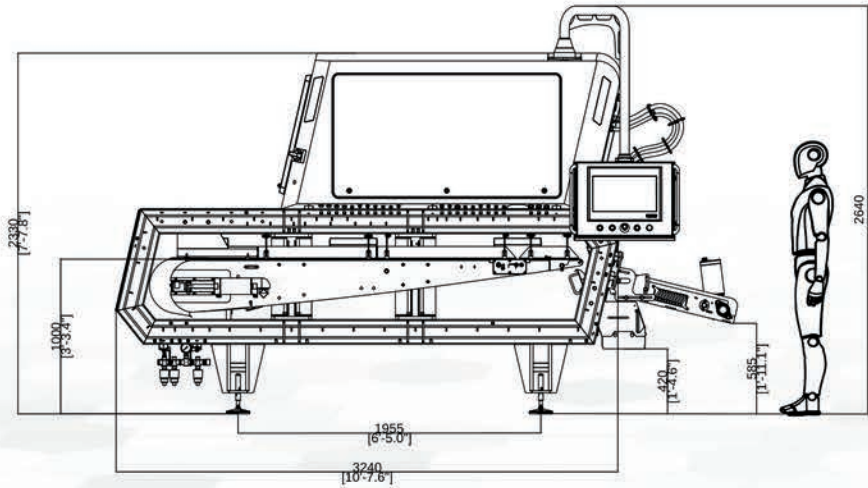


# CURIOSITY

CY-600

CY-1200

CY-1800



TECHNICAL FEATURES			
	CY-600	CY-1200	CY-1800
<b>Optical resolution</b>	0,3X0,3 mm		
<b>Air nozzles</b>	96	192	288
<b>Nozzle pitch</b>	6 mm		
<b>User interface</b>	18" LCD touch-screen monitor		
<b>Remote connection</b>	Ethernet / Wi-Fi		
UTILITIES			
<b>Power supply</b>	3F+ T		
<b>Voltage</b>	400/480 V		
<b>Frequency</b>	50/60 Hz		
<b>Installed power</b>	5 kW	6 kW	7 kW
<b>Air pressure</b>	6÷8 bar [87÷116 psi]		
<b>Air consumption (typical)</b>	1300 NL/min	2500 NL/min	3800 NL/min
<b>Air consumption (maximum)</b>	1800 NL/min	3500 NL/min	5300 NL/min
<b>Weight</b>	1700 Kg	2000 Kg	2300 Kg

Ver 04|2023