

RACK SERIES



www.dynawrap.eu



“SMART DESIGN FITS EVERYWHERE”

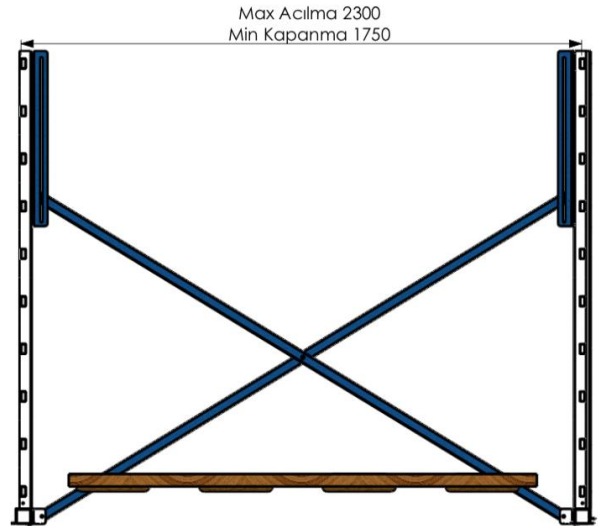
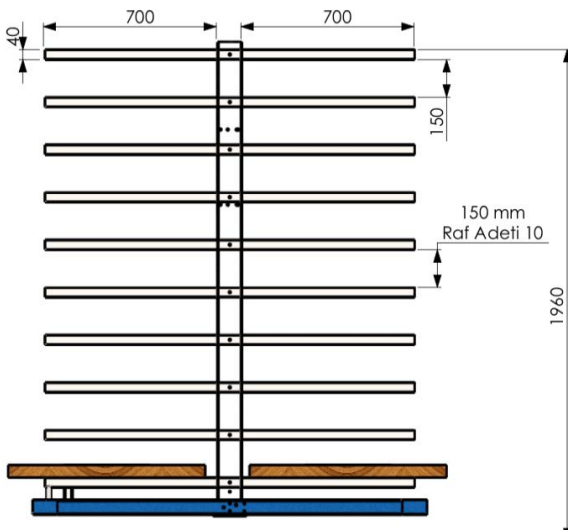
**EXPANDABLE
DRYING RACK IS A
TRIED AND TRUE
WORKHORSE FOR
ANY CABINET SHOP**

**SPACE SAVING
TIME SAVING
COST SAVING**

RACK SERIES VR 10



www.dynawrap.eu



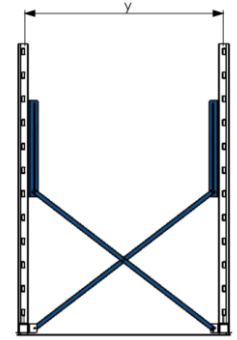
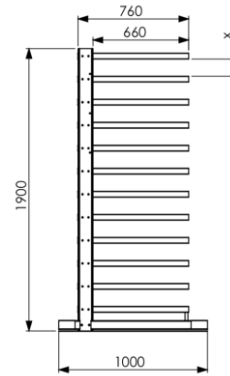
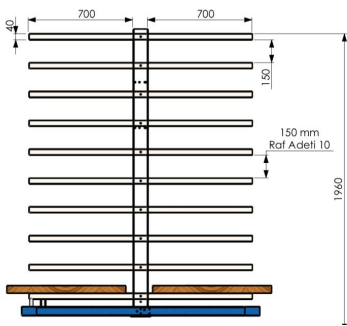
RACK SERIES



“ROBUST DESIGN AND STRUCTURE FOR HEAVY WORK”

VR

DR / DRX



AVAILABLE STANDARD MODELS

MODELS	SHELVES	(X) SHELF SPACING	(Y) Min.	(Y) Max.	CAPACITY
DR 10	10	125 mm useful	320 mm	1250 mm	50 kg/ shelf
DR 12	12	115 mm useful	300 mm	1250 mm	50 kg/ shelf
DRX 12	12	100 mm useful	320 mm	1250 mm	50 kg/ shelf
DR 15	15	60 mm useful	320 mm	1250 mm	50 kg/ shelf
VR 20	20	125 mm useful	300 mm	1250 mm	25 kg/ shelf
VR 20 M	20	125 mm useful	1750 mm	2300 mm	25 kg/ shelf

LET US CUSTOMIZE FOR YOU

RACK SERIES

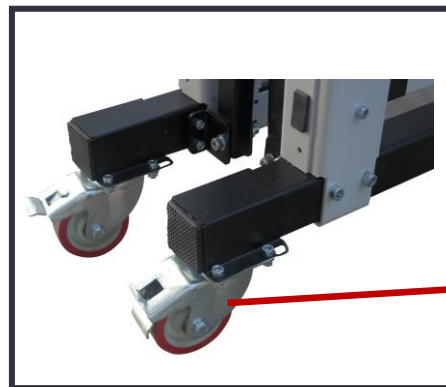


Simple and flexible

- Adjustable storey height – simple system with hexagon socket set screws.
- Fully adjustable rack length in scissor model designs – quick and easy to adjust.
- Stackable. Compact. Ingenious.



Handles for easy opening and closing



Caster wheel with safety dual locking