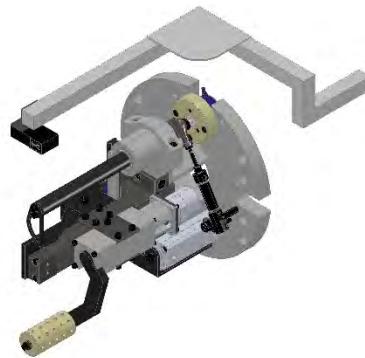
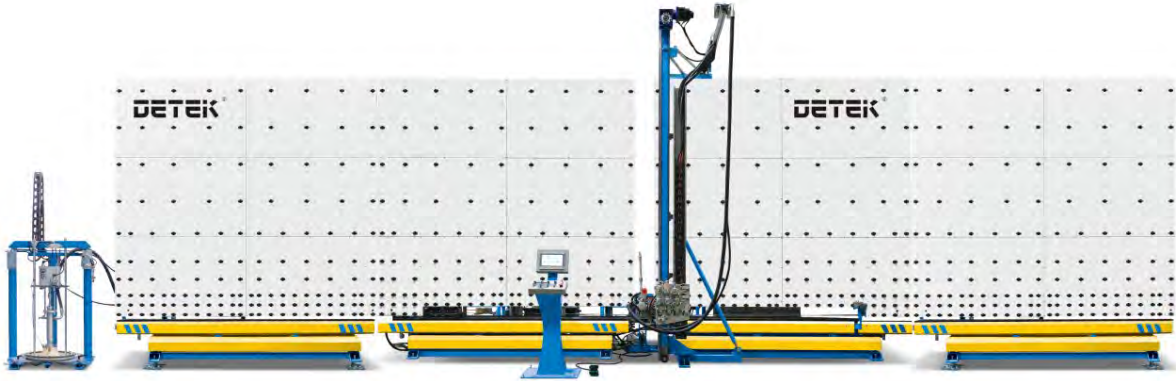
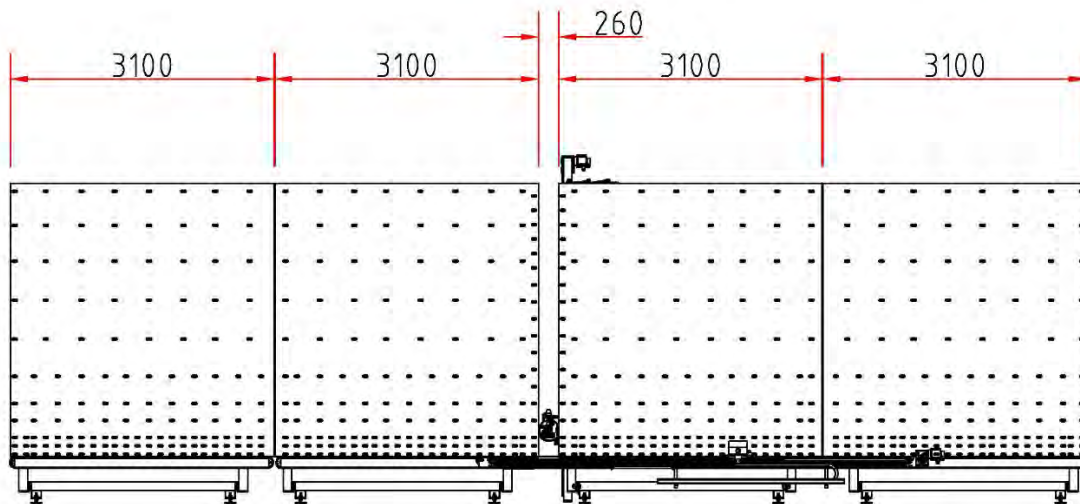


Auto sealing robot ASR3360

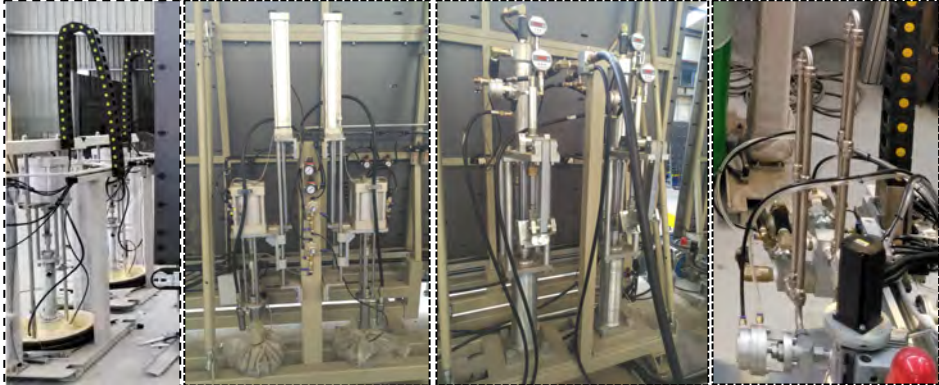
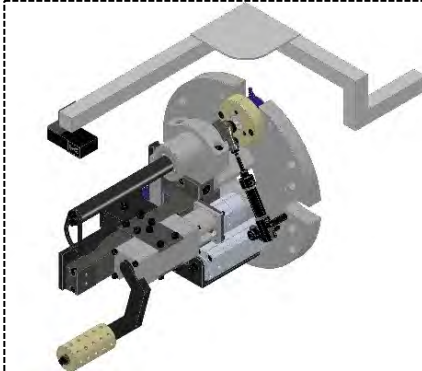




**Application**

The secondary sealant sealing in Insulating Glass Units, ASR3360 is highly automatic silicone or polysulfide sealant sealing robot. Auto sealing robot guarantees the high quality of IGU for glass processing companies.

**Feature**

1. Two separate dosing system, one key switch system. (Option)

2. Automatic corner wiper (option).
3. Economical and practical, used for glass deep processing company.
4. Fully intelligent and friendly touching screen adopt Ethernet communication, with memory function and easy operation.
5. High sealing performance, high automation, reduce labor cost, improve production efficiency.
6. Best sealing quality without air bubbles, smooth surface, save time for corner correction.
7. Equipped with anti-blocking device in the mixer, easy to clean.
8. Servo control system adopts world famous brand (Japan YASKAWA), performance is stable, and counting speed is fast, sealant output with high precision, surface with high smoothness.
9. Special V type transmission belt to avoid sealant sticking on the belt, ensure the glass edge clean, V type block is changeable.
10. Suitable for triple IGU, stepped IGU and shaped IGU(Option)
11. All parts with high standard ensure the stable performance.
12. Equipped with high speed positioning function, glass can be located accurately when conveyor fast.
13. Keep machine service and upgraded timely with our own R&D department.

Two dosing system			
Corner wiper			
Shaped IGU sealing			

Parameter

Max. IGU size	3300x6000mm
---------------	-------------

Min. IGU size	300×300mm
IGU thickness	12-56mm
Sealing depth	3-18mm
Power supply	3P 380V 50HZ 13KW
Air pressure	0.6-0.8Mpa
Max. squeeze pressure	32Mpa
Sealing speed	5-40m/min
A pressing rubber plate	570mm
B pressing rubber plate	285mm
Dimension	13000×1600×4190mm

Brand parts list

Name	Brand	Country
PLC	Yaskawa	Japan
Servo driver	Yaskawa	Japan
Servo motor	Yaskawa	Japan
Touching screen	WEINVIEW	Taiwan
Inveter	TECO	Taiwan
Breaker	Schneider	French
Contactora	Schneider	French
Relay	Schneider	French
Sensor	AUTONICS	S. Korea
Proximity switch	AUTONICS	S. Korea
Reduction motor	YOUSHENG	SHANGHAI
Solenoid	Airtag	TAIWAN
Air cylinder	Airtag	TAIWAN
proportional valve	SMC	Japan
Fine regulator	SMC	Japan