



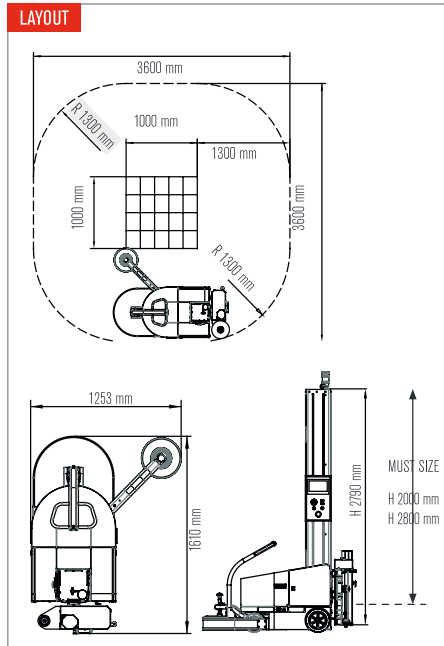
# ROBOWRAP

"Precision Robotics, Perfect Pallet Wrapping"

## Standart Machine Includes:



Schneider Electric PEPPERL+FUCHS



- TOUCH MONITOR
- REMOTE CONTROL
- SAFETY BUMPER
- AFC DEVICE  
AUTOMATIC FILM CUTTING
- PRE-STRETCH SYSTEM
- PHOTOCELL SENSOR



Handle Release System



Pre-stretch Film Carriage



Start Cycle With Remote Control



Digital Color Touch Screen 7,2"

DATA SHEET	ROBO WRAP 600 A	ROBO WRAP 600 B
------------	-----------------	-----------------

Carriage	Mechanical Brake Carriage	Powered pre-stretch 2 Positions (230-300%)
Installed Power	1 Kw	1,25 Kw
Rotating Speed	35-90 Rpm	35-90 Rpm
Carriage Up E Down Speed	1,4 - 5 Mt/min	1,4 - 5 Mt/min
Net Machine Weight	450 Kg	450 Kg

PRODUCT FEATURES	ROBO WRAP 600 A	ROBO WRAP 600 B
------------------	-----------------	-----------------

Product Dimensions	Min. 600 X 600 Mm   Max ∞	Min. 600 X 600 Mm   Max ∞
Max Product Height	2300 Mm	2300 Mm
Max Product Weight	No Limit	No Limit

FILM ROLL FEATURES	ROBO WRAP 600 A	ROBO WRAP 600 B
--------------------	-----------------	-----------------

Film Roll External Diameters	280 Mm	280 Mm
Film Roll Height	500 Mm	500 Mm
Film Roll Thickness	12-35 My	12 - 35 My
Film Roll Internal Diameter	76 Mm	76 Mm
Film Roll Max Weight	16 Kg	16 Kg