

SINGLE LIFT

SINGLELIFT LOTS OF WORK

KIRPY// AR600



SingleLift KIRPY// AR600 is a powerful and compact vacuum lifting / glazing and multi-purpose assembly robot. Designed for indoor and outdoor use applications where space is limited. This robot can lift loads up to 600 kg and operate for 8 hours with a single charge. AR600 has electric powered tilt and side shift functions. Suction pad frame can be manually rotated and swiveled with ease.

KIRPY// has two different series, AR600H (manual control) and AR600R (wireless remote control).

Key features:

- 600 kg max. load capacity
- Durable pneumatic wheels for indoor / outdoor use
- Self propelled and variable adjustable speed control
- Up to 4.5 m lifting height
- 8 h runtime
- Dual pumps and dual vacuum circuits
- Very compact at only 840 mm wide and 1598 mm tall
- Easy control
- CE compliant
- Multi-purpose

Included attachments:

- Vacuum pad attachment
- Swivel hook attachment
- Electric crane attachment



Akçeşme Mahalle, 2634 Sokak, No:18

20020 MERKEZEFENDİ / DENİZLİ / TÜRKİYE



+90 258 999 25 56

+90 536 399 25 56



www.singlelift.com

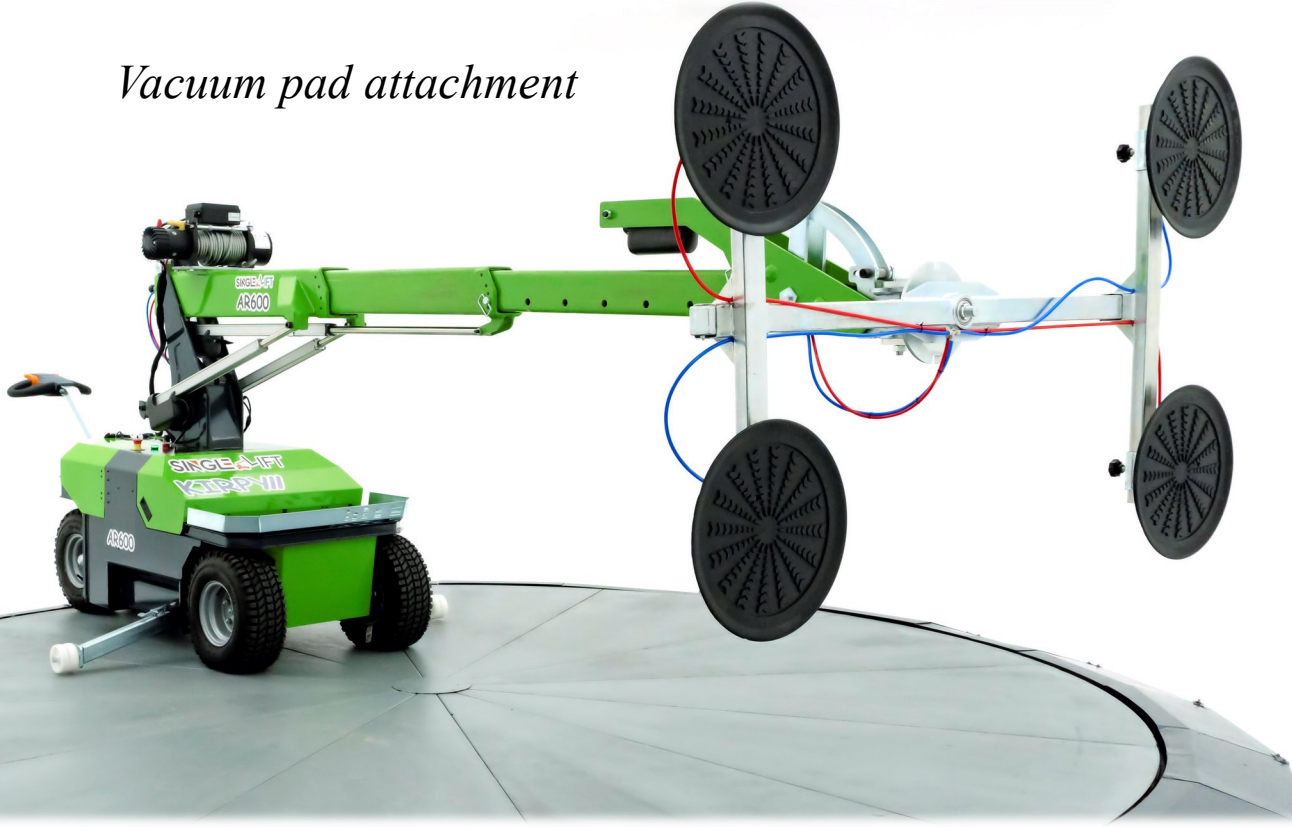
info@singlelift.com

SINGLE LIFT

SINGLELIFT LOTS OF WORK

KIRPY// AR600

Vacuum pad attachment



Swivel hook attachment



Akçeşme Mahalle, 2634 Sokak, No:18

20020 MERKEZEFENDİ / DENİZLİ / TÜRKİYE



+90 258 999 25 56

+90 536 399 25 56



www.singlelift.com

info@singlelift.com

“Reliable,
Compact,
Powerful &
Professional”

SINGLE LIFT
SINGLELIFT LOTS OF WORK

KIRPY// AR600

*Electric winch
attachment*



Akçeşme Mahalle, 2634 Sokak, No:18

20020 MERKEZEFENDİ / DENİZLİ / TÜRKİYE



+90 258 999 25 56

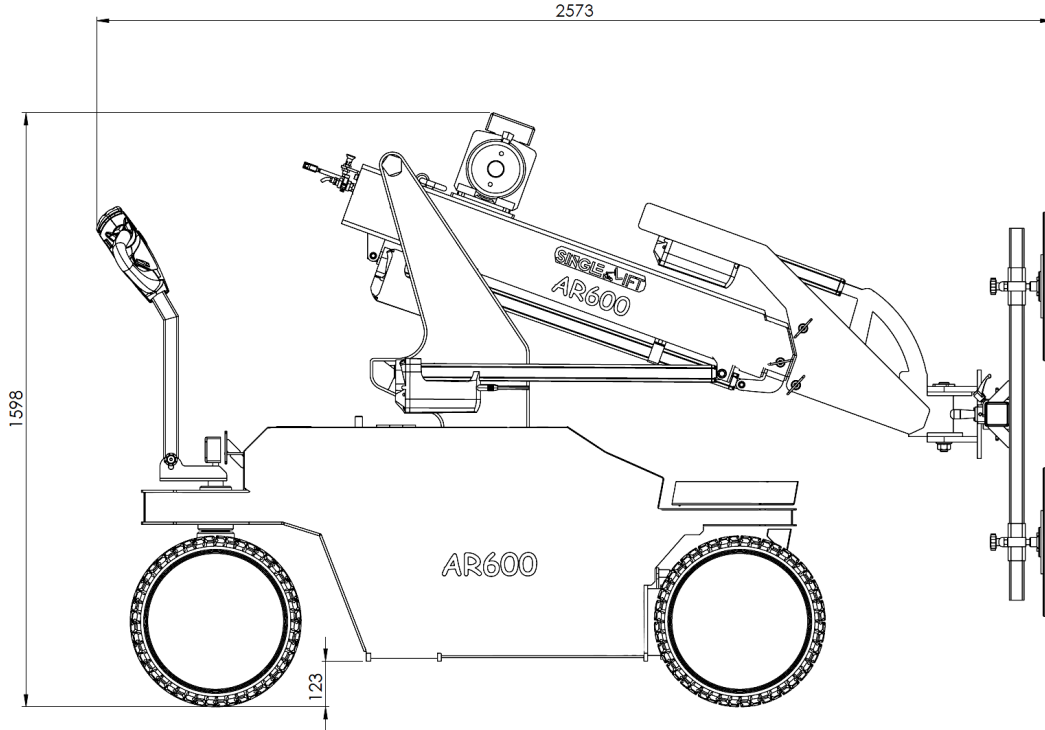
+90 536 399 25 56



www.singlelift.com

info@singlelift.com

KIRPY// AR600



Technical Data:

Lifting capacity (arm in / extended)	600 kg / 250 kg
Own weight	960 kg
Min. Height	1598 mm
Min. Width	840 mm
Min. Length (including vacuum pads)	2537 mm
Maximum arm length (boom out)	3682 mm
Operation time	8 h
Charging time	10 h
Charging voltage	220 V
Battery	2 x 12V 150 Ah
Powered head tilt	90° up & 90° down
Powered lateral side shift	50 mm left & 50 mm right
Manual pad frame rotation	Lockable 90° clockwise & 90° counter c.w.
Manual head slew	Lockable 90° left & 90° right
Vacuum system	2 pumps, 2 vacuum reserve tanks



Akçeşme Mahalle, 2634 Sokak, No:18

20020 MERKEZEFENDİ / DENİZLİ / TÜRKİYE



+90 258 999 25 56

+90 536 399 25 56

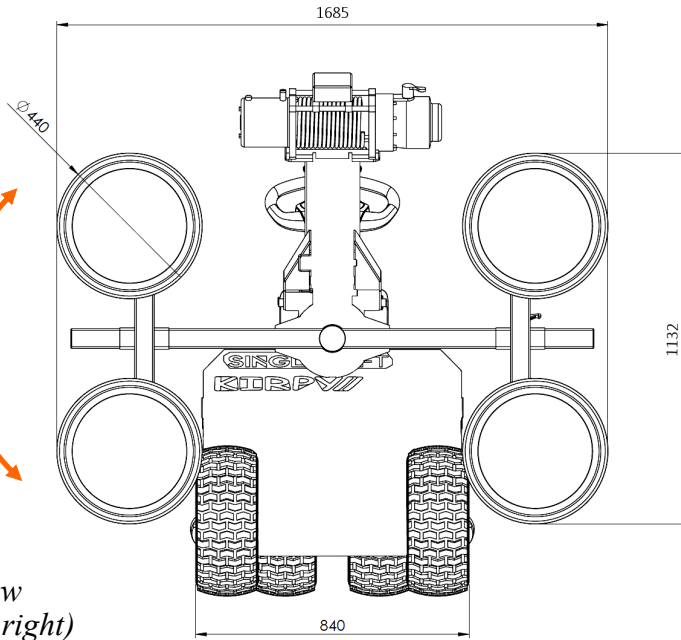


www.singlelift.com

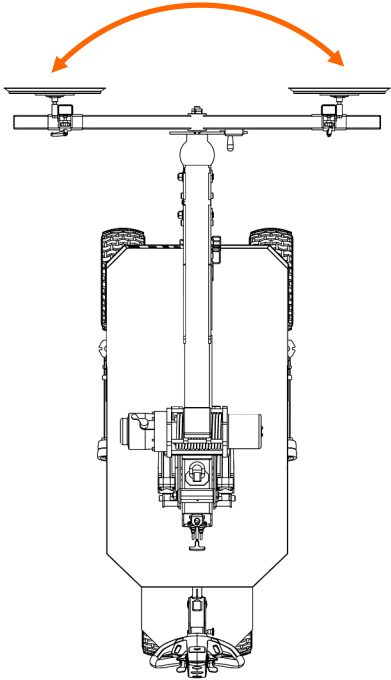
info@singlelift.com

KIRPY// AR600

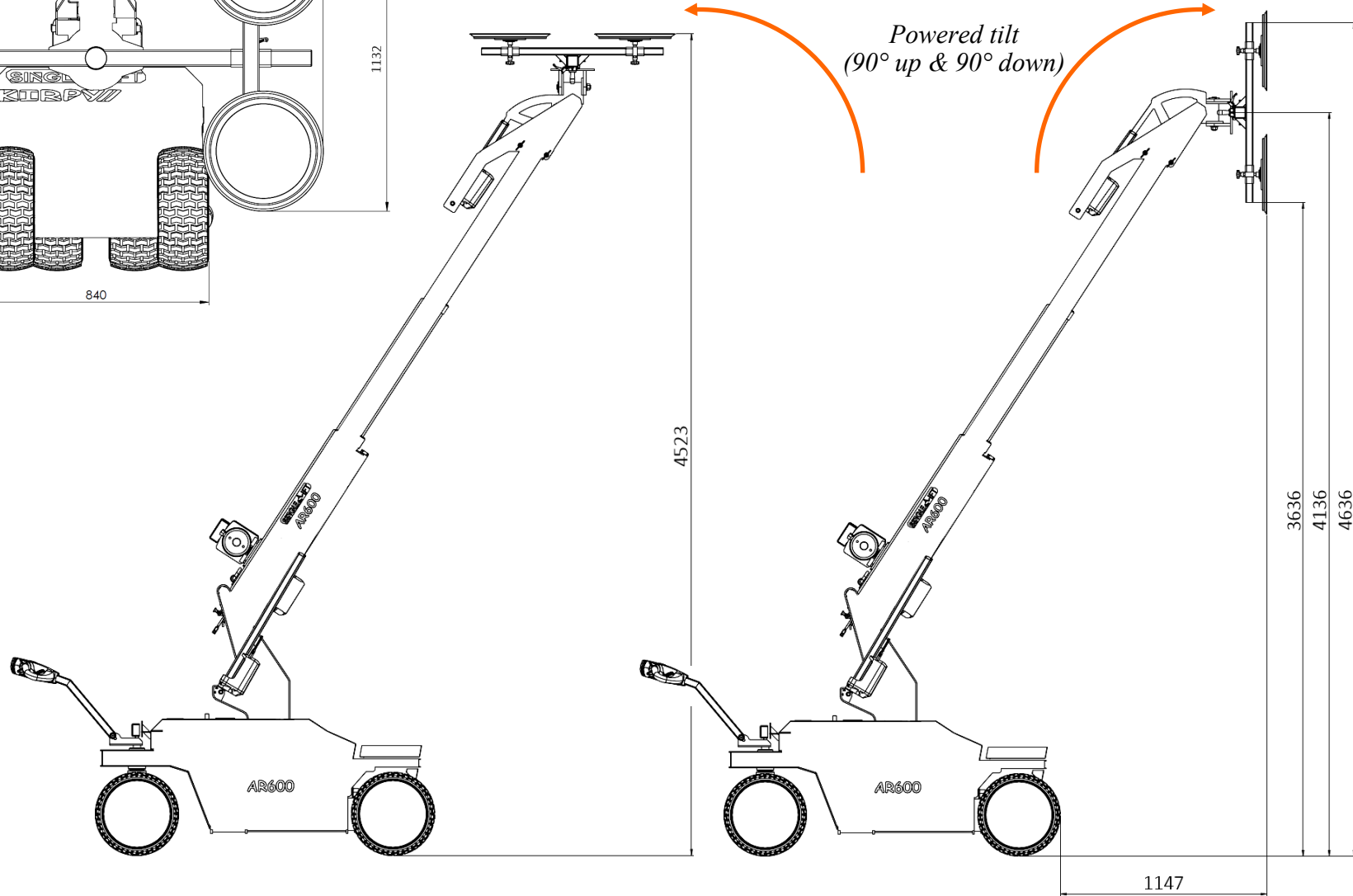
Manual rotation
(90° clockwise
& 90° counter
clockwise)



Manual slew
(90° left & 90° right)



Powered tilt
(90° up & 90° down)



Akçeşme Mahalle, 2634 Sokak, No:18

20020 MERKEZEFENDİ / DENİZLİ / TÜRKİYE



+90 258 999 25 56

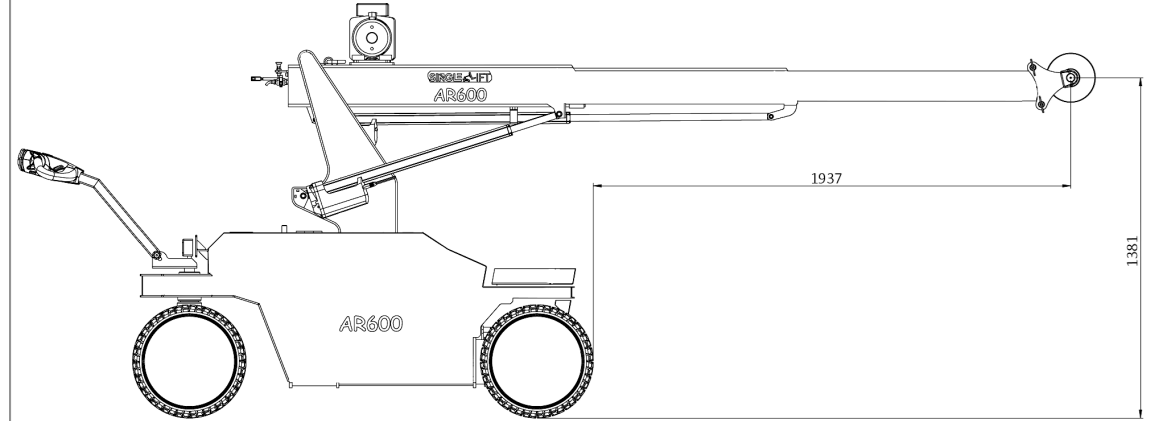
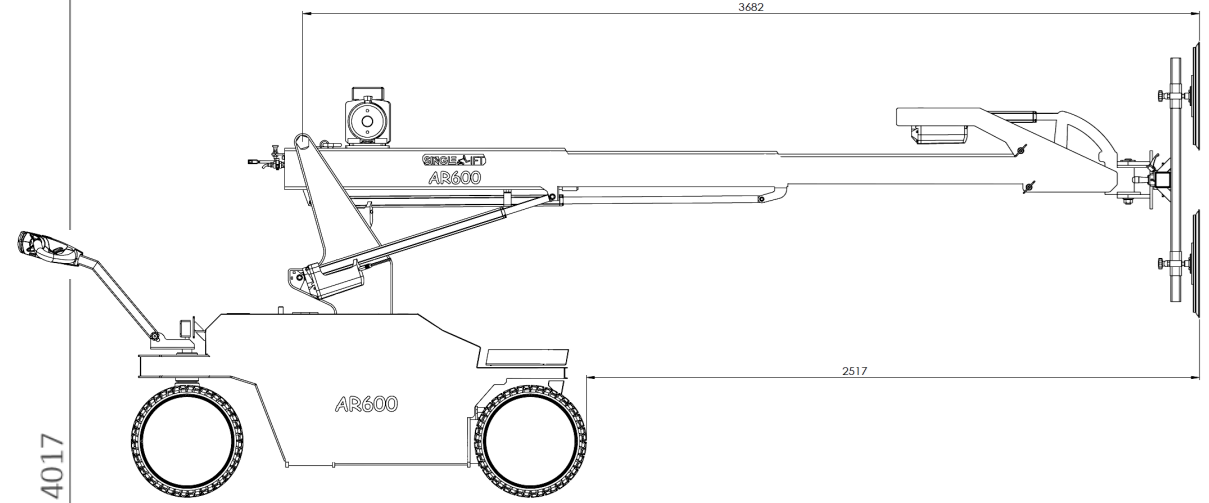
+90 536 399 25 56



www.singlelift.com

info@singlelift.com

KIRPY // AR600



Akçeşme Mahalle, 2634 Sokak, No:18

20020 MERKEZEFENDİ / DENİZLİ / TÜRKİYE



+90 258 999 25 56

+90 536 399 25 56



www.singlelift.com

info@singlelift.com