

PLATE SHEET DIE

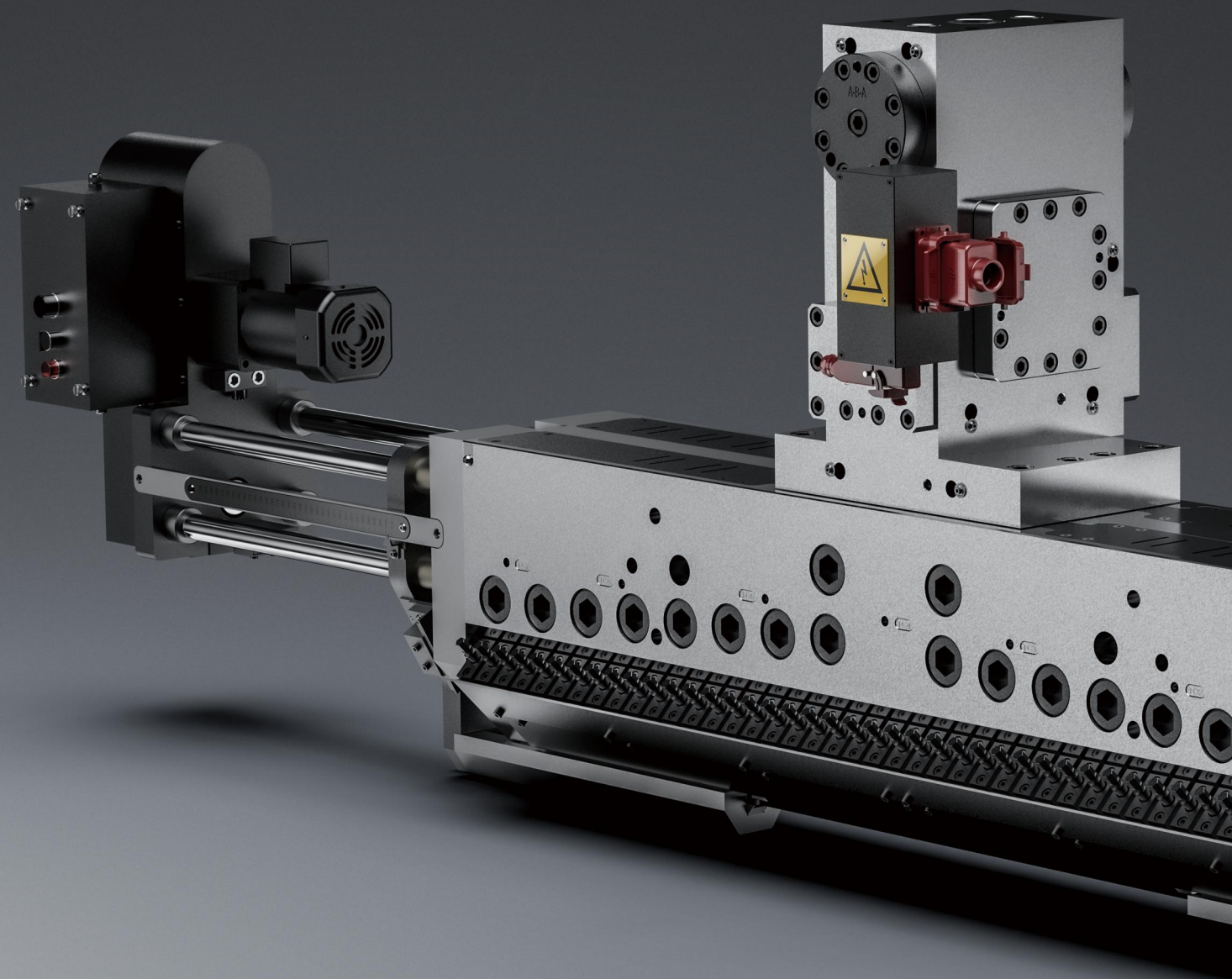
From
Dreams
to
Reality

知您所需
创您所想

Sheet Foil Die

Independent study for sheet die series,
from concept to precision production.

Satisfy the market with high quality precision
extrusion of foam and optical level sheet.



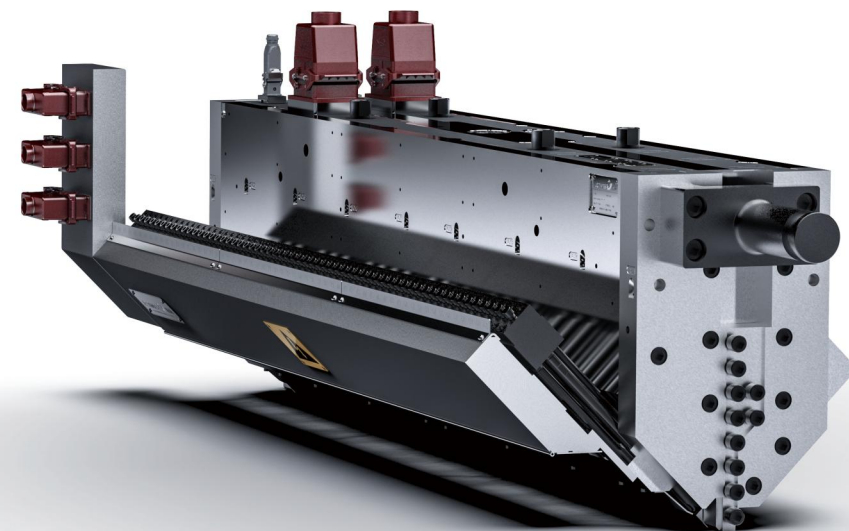
自主研发板片模头系列, 从模头构思设计到精密制造,
以高品质的精密挤出满足市场对发泡类及光学级板片材的应用。

Optical Level

Thin Film Automatic Die Series

04

Automatic die lip adjusting system combined with Multilayer coextrusion design allow optical level film extrusion with desired width and thickness. The film have excellent light transmission and resistance to weather and fire.



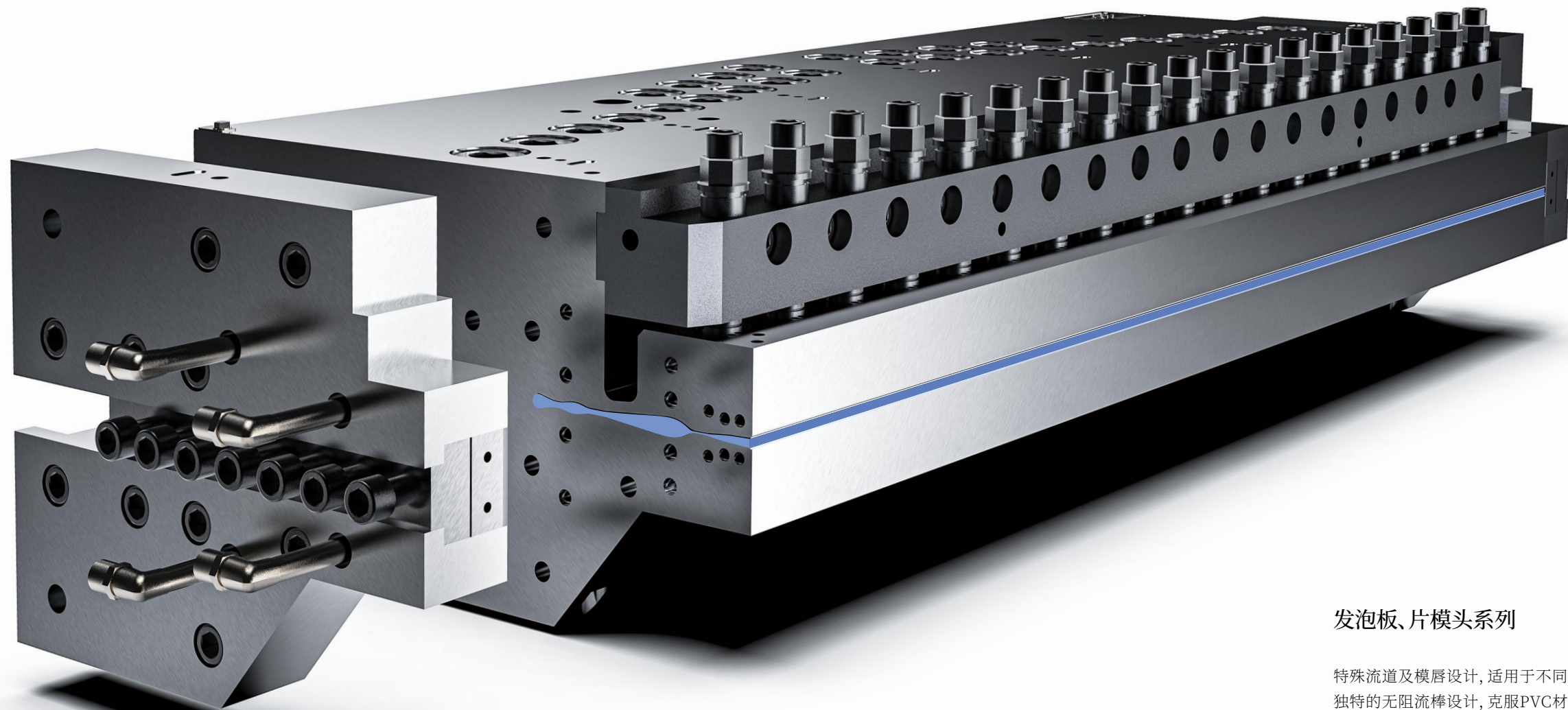
光学级薄片自动模头系列

自动微调结合多层共挤复合设计, 光学级品质精密挤出, 不限宽幅、厚薄。制品具备优秀的透光率、耐候性及阻燃性。

06 Foam Sheet Plate Die

Special manifold and die lip design for different materials and different foaming ratio product requirements. Unique design of restrict bar could overcome processing difficulty of strong corrosiveness of PVC material. Also, coextrusion Foaming area is set, the surface layer is not foamed, but the core layer is foamed.

Special flow channel and die lip design



发泡板、片模头系列

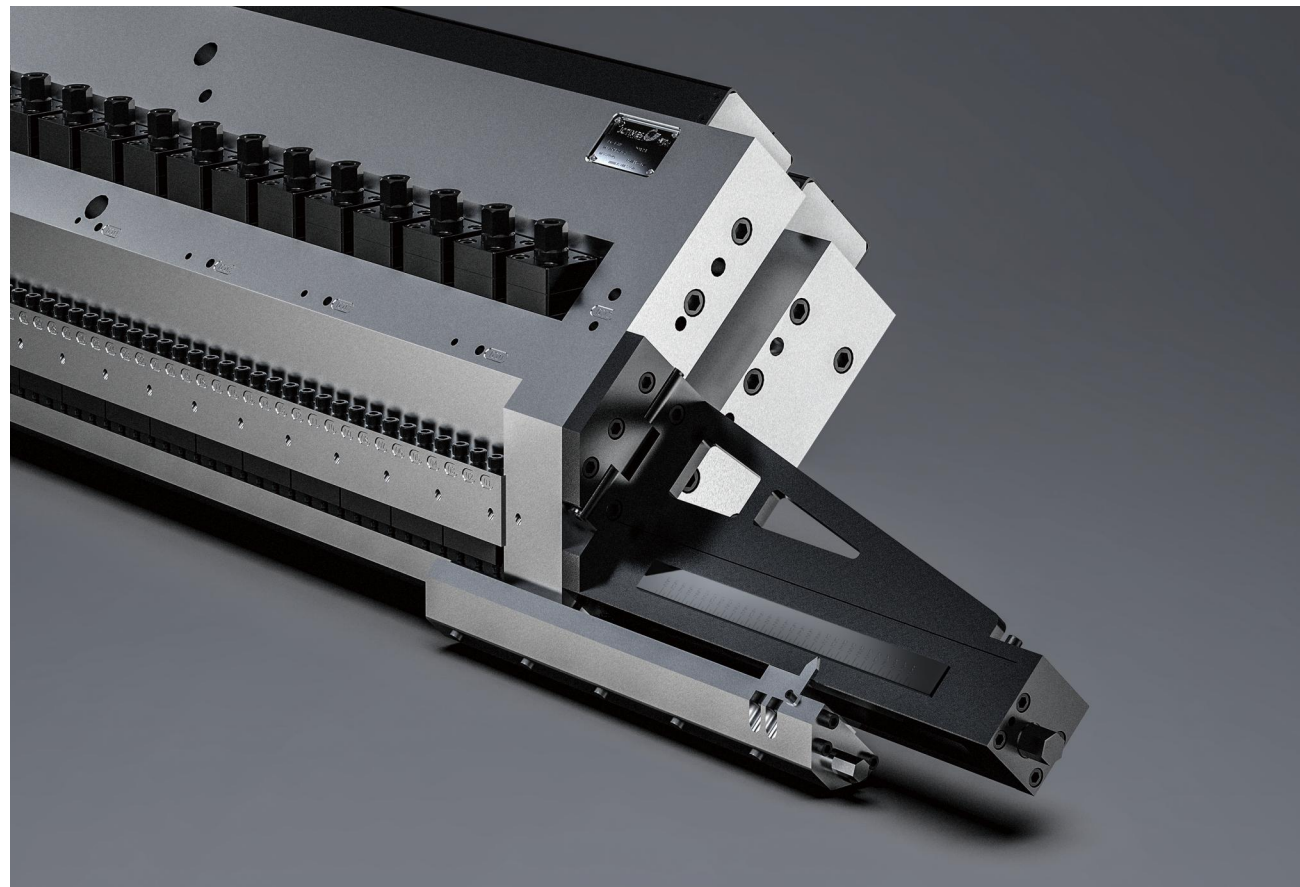
特殊流道及模唇设计, 适用于不同物料、不同发泡倍率制品要求。独特的无阻流棒设计, 克服PVC材料腐蚀性强的加工难点。共挤发泡区域设定, 表层不发泡, 芯层发泡。

External Deckling System

A variety of external deckling system, satisfying different materials and shape of structure in different scenarios. It can be adjusted without stopping the machine. The special design of the decks makes the uniformity of the final product.

外挡装置

多种外挡宽幅调节装置, 满足不同物料及外形结构模头的使用场景。
无需停机即可调节, 特殊的消厚边型挡条设计, 制品边部厚薄均匀。

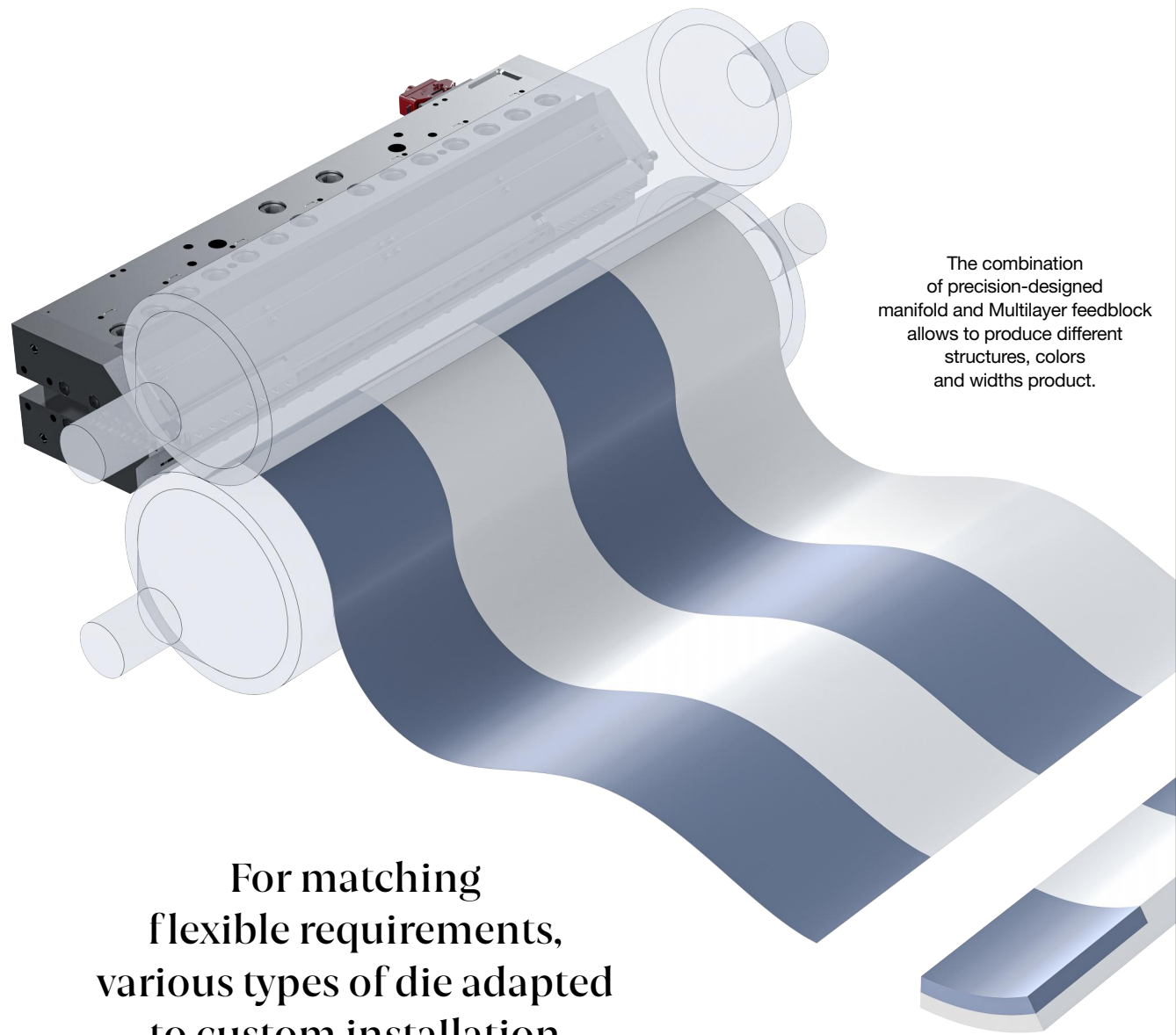


Quick open the die lip.
Remote control.
Operation in two minutes.

Quick Opening System

快速开口

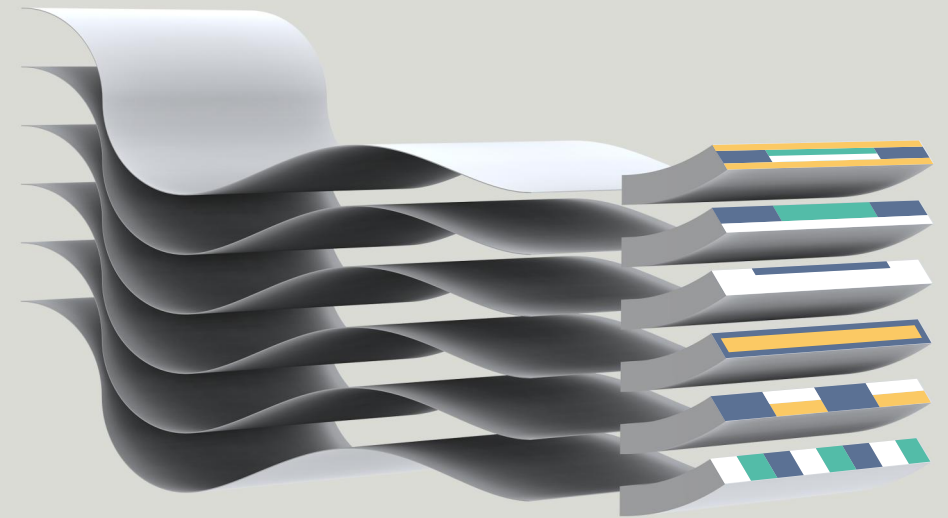
快速调节模唇开度,
在线操作, 两分钟内即可实现。



The combination of precision-designed manifold and Multilayer feedblock allows to produce different structures, colors and widths product.

For matching flexible requirements, various types of die adapted to custom installation on the production line.

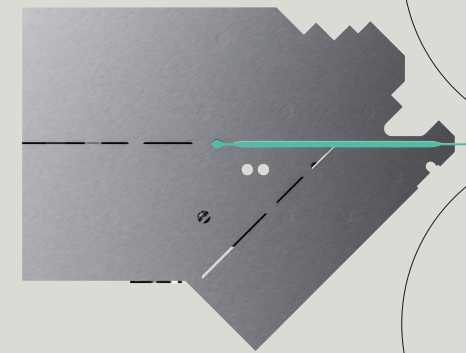
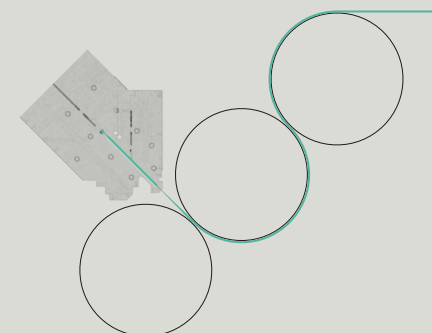
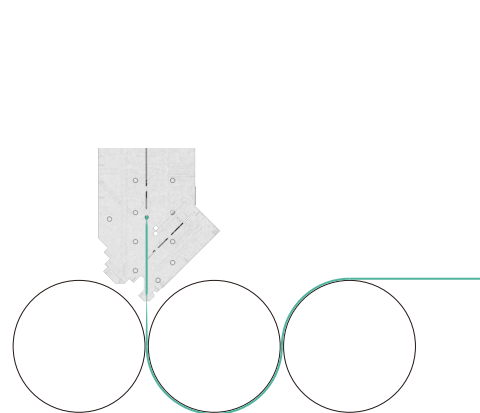
10 High Precision Die Solution



高精模头解决之道

精密设计的特殊流道和多层复合分配器组合使用, 满足生产不同结构、不同颜色、不同宽度的制品。

匹配高效而灵活的工艺需求, 各类型号的模头都能适应生产线上自定义的安装方式。





It is widely used in aerospace, electronic display, traffic sound insulation, architectural curtain wall, advertising and entertainment, etc.

广泛应用于航天航空、电子显示、交通隔音、建筑幕墙、广告文创等领域。

精诚时代集团

浙江精诚模具机械有限公司
浙江台州黄岩新前建业路88号



WeChat
Public Account



JC-times.
com

JCTIMES GROUP

ZHEJIANG JINGCHENG MOLD MACHINERY CO., LTD

NO.88, Jianye Road, Intelligent Mold Town,
Huangyan, Taizhou, Zhejiang, China

400 889 9977