

HP systems®

Hydraulic Power Systems

HYDRAULIC VALVE





HPS - M40

Nominal Flow Rating / Displacement	40 l/min	11 U.S.G.P.M
Maximum Working Pressure	250 Bar	3600 PSI
Max Back Pressure	25 Bar	360 PSI
Oil Temperature with NBR Seals	-20 to 80 C°	4 to 180 F °
Oil Temperature with FPM (Viton) Seals	-20 to 100 C°	4 to 200 F °
Number Of Spools	1	



HPS - M45

Nominal Flow Rating / Displacement	45 l/min	12 U.S.G.P.M
Maximum Working Pressure (Series Circuit)	315 Bar	4600 PSI
Max Back Pressure	25 Bar	360 PSI
Oil Temperature with NBR Seals	-20 to 80 C°	-4 to 176 F °
Oil Temperature with FPM (Viton) Seals	-20 to 100 C°	-4 to 212 F °
Number Of Spools	1 to 6	



HPS - MS45

Nominal Flow Rating / Displacement	45 l/min	12 U.S.G.P.M
Maximum Working Pressure (Parallel Circuit)	315 Bar	4600 PSI
Maximum Working Pressure (Series Circuit)	250 Bar	3600 PSI
Max Back Pressure	25 Bar	360 PSI
Oil Temperature with NBR Seals	-20 to 80 C°	-4 to 176 F °
Oil Temperature with FPM (Viton) Seals	-20 to 100 C°	-4 to 212 F °
Number Of Spools	1 to 7	



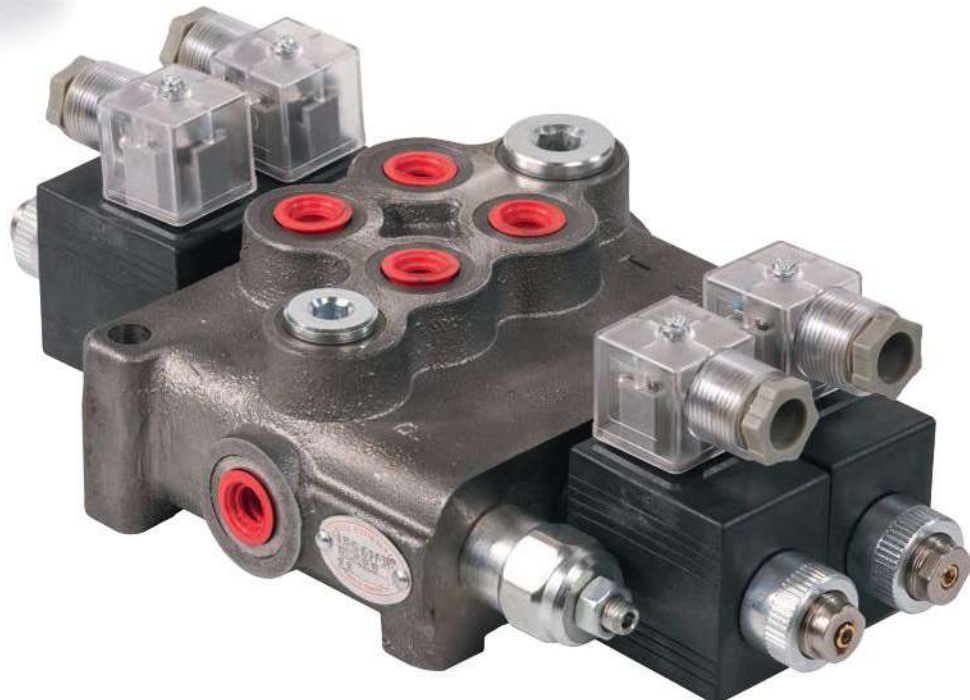
HPS-M70

Nominal Flow Rating / Displacement	70 l/min	18 U.S.G.P.M
Maximum Working Pressure (Parallel Circuit)	315 Bar	4600 PSI
Maximum Working Pressure (Series Circuit)	250 Bar	3600 PSI
Max. Back Pressure	25 Bar	360 PSI
Oil Temperature with NBR Seals	-20 to 80 C°	-4 to 176 F°
Oil Temperature with FPM (Viton) Seals	-20 to 100 C°	
Number Of Spools	1 to 6	



HPS-M80

Nominal Flow Rating / Displacement	80 l/min	21 U.S.G.P.M
Maximum Working Pressure (Series Circuit)	315 Bar	4600 PSI
Max Back Pressure	25 Bar	360 PSI
Oil Temperature with NBR Seals	-20 to 80 C°	-4 to 176 F°
Oil Temperature with FPM (Viton) Seals	-20 to 100 C°	-4 to 212 F°
Number Of Spools	1 to 6	





HPS-PD45

Nominal Flow Rating / Displacement	45 l/min	12 U.S.G.P.M
Maximum Working Pressure (Series Circuit)	210 Bar	3050 PSI
Maximum Working Pressure (Parallel Circuit)	315 Bar	4600 PSI
Max Back Pressure	25 Bar	360 PSI
Oil Temperature with NBR Seals	-20 to 80 C°	-4 to 176 F°
Oil Temperature with FPM (Viton) Seals	-20 to 100 C°	-4 to 212 F°
Number Of Spools	1 to 12	
Tie rod tightening torque	30 Nm	22 lbft



HPS-PD60

Nominal Flow Rating / Displacement	60 l/min	16 U.S.G.P.M
Maximum Working Pressure (Series Circuit)	210 Bar	3050 PSI
Maximum Working Pressure (Parallel Circuit)	315 Bar	4600 PSI
Max Back Pressure	25 Bar	360 PSI
Oil Temperature with NBR Seals	-20 to 80 C°	-4 to 176 F°
Oil Temperature with FPM (Viton) Seals	-20 to 100 C°	-4 to 212 F°
Number Of Spools	1 to 12	
Tie rod tightening torque	30 Nm	22 lbft



HPS-PD80

Nominal Flow Rating / Displacement	80 l/min	21 U.S.G.P.M
Maximum Working Pressure (Series Circuit)	210 Bar	3050 PSI
Maximum Working Pressure (Parallel Circuit)	315 Bar	4600 PSI
Max Back Pressure	25 Bar	360 PSI
Oil Temperature with NBR Seals	-20 to 80 C°	-4 to 176 F°
Oil Temperature with FPM (Viton) Seals	-20 to 100 C°	-4 to 212 F°
Number Of Spools	1 to 12	
Tie rod tightening torque	30 Nm	22 lbft



HPS-PD100

Nominal Flow Rating / Displacement	100 l/min	26 U.S.G.P.M
Maximum Working Pressure (Series Circuit)	210 Bar	3050 PSI
Maximum Working Pressure (Parallel Circuit)	315 Bar	4600 PSI
Max. Back Pressure	25 Bar	360 PSI
Oil Temperature with NBR Seals	-20 to 80 C°	-4 to 176 F°
Oil Temperature with FPM (Viton) Seals	-20 to 100 C°	-4 to 212 F°
Number Of Spools	1 to 12	
Tie rod tightening torque	40 Nm	30 lbft



HPS-PD120

Nominal Flow Rating / Displacement	120 l/min	31 U.S.G.P.M
Maximum Working Pressure (Series Circuit)	210 Bar	3050 PSI
Maximum Working Pressure (Parallel Circuit)	315 Bar	4600 PSI
Max. Back Pressure	25 Bar	360 PSI
Oil Temperature with NBR Seals	-20 to 80 C°	-4 to 176 F°
Oil Temperature with FPM (Viton) Seals	-20 to 100 C°	-4 to 212 F°
Number Of Spools	1 to 12	
Tie rod tightening torque	40 Nm	30 lbft



HPS-PD150

Nominal Flow Rating / Displacement	150 l/min	38 U.S.G.P.M
Maximum Working Pressure (Series Circuit)	210 Bar	3050 PSI
Maximum Working Pressure (Parallel Circuit)	315 Bar	4600 PSI
Max. Back Pressure	25 Bar	360 PSI
Oil Temperature with NBR Seals	-20 to 80 C°	-4 to 176 F°
Oil Temperature with FPM (Viton) Seals	-20 to 100 C°	-4 to 212 F°
Number Of Spools	1 to 12	
Tie rod tightening torque	40 Nm	30 lbft



HPS-TV50

Nominal Flow Rating / Displacement	50 l/min	13,5 U.S.G.P.M
Maximum Working Pressure (Parallel Circuit)	315 Bar	4600 PSI
Maximum Working Pressure (Series Circuit)	250 Bar	3600 PSI
Max. Back Pressure	25 Bar	360 PSI
Oil Temperature with NBR Seals	-20 to 80 C°	-4 to 176 F°
Oil Temperature with FPM (Viton) Seals	-20 to 100 C°	-4 to 212 F°
Number Of Spools	1 to 3	



HPS-DMF

Nominal Flow Rating / Displacement	80 l/min	21 U.S.G.P.M
Maximum Working Pressure (Parallel Circuit)	315 Bar	4600 PSI
Maximum Working Pressure (Series Circuit)	210 Bar	3050 PSI
Max. Back Pressure	25 Bar	360 PSI
Oil Temperature with NBR Seals	-20 to 80 C°	-4 to 176 F°
Oil Temperature with FPM (Viton) Seals	-20 to 100 C°	-4 to 212 F°
Number Of Spools	1 to 3	



HPS-MASSEY FERGUSON

Nominal Flow Rating / Displacement	45 l/min	12 U.S.G.P.M
Maximum Working Pressure (Series Circuit)	315 Bar	4600 PSI
Max. Back Pressure	25 Bar	360 PSI
Oil Temperature with NBR Seals	-20 to 80 C°	-4 to 176 F°
Oil Temperature with FPM (Viton) Seals	-20 to 100 C°	-4 to 212 F°
Tie rod tightening torque	30 Nm	22 lbft
ORV-MF-Outlet With 2 Port		
ORV-MF-Outlet With 2 Port + Hydraulic		
ORV-MF-Outlet With 4 Port		
ORV-MF-Outlet With 4 Port + Hydraulic		
ORV-MF-Outlet With 6 Port		

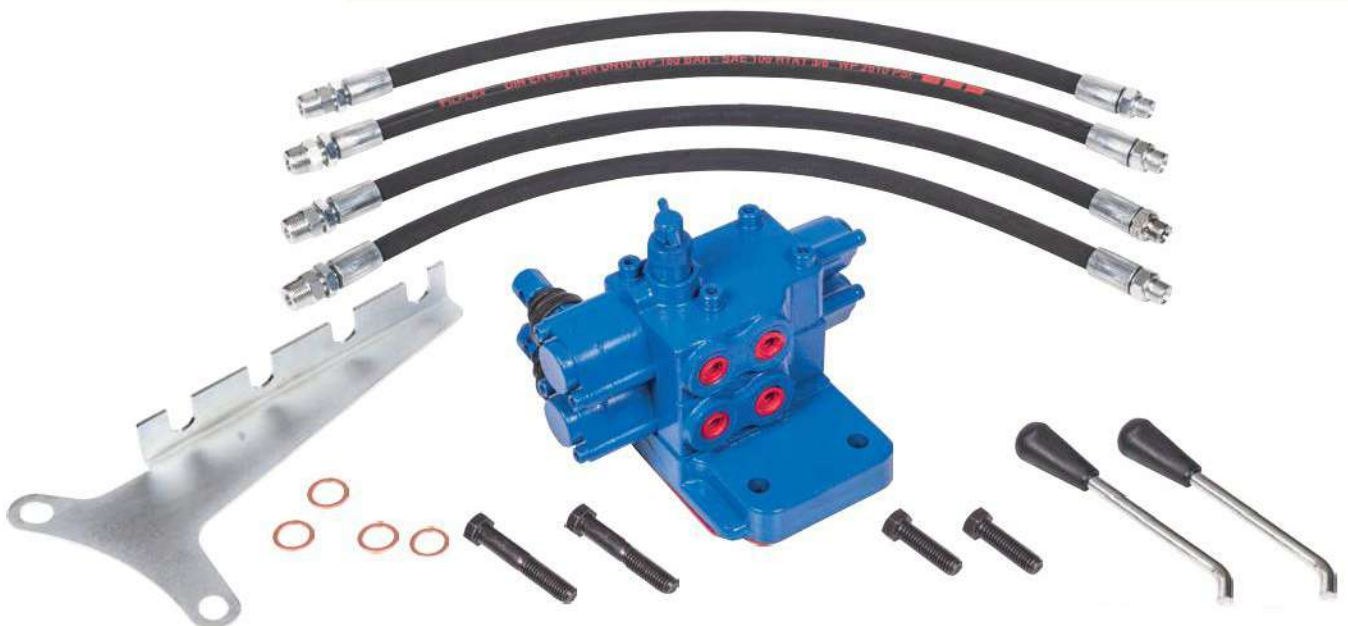


HPS-FORD3000

Nominal Flow Rating / Displacement	45 l/min	12 U.S.G.P.M
Maximum Working Pressure (Series Circuit)	315 Bar	4600 PSI
Max. Back Pressure	25 Bar	360 PSI
Oil Temperature with NBR Seals	-20 to 80 C°	-4 to 176 F°
Oil Temperature with FPM (Viton) Seals	-20 to 100 C°	-4 to 212 F°
Tie rod tightening torque	30 Nm	22 lbft
ORV-Ford3000 Outlet With 2 Port		
ORV-Ford3000 Outlet With 4 Port		
ORV-Ford3000 Outlet With 6 Port		

HPS-FORD5000

Nominal Flow Rating / Displacement	45 l/min	12 U.S.G.P.M
Maximum Working Pressure (Series Circuit)	315 Bar	4600 PSI
Max. Back Pressure	25 Bar	360 PSI
Oil Temperature with NBR Seals	-20 to 80 C°	-4 to 176 F°
Oil Temperature with FPM (Viton) Seals	-20 to 100 C°	-4 to 212 F°
Tie rod tightening torque	30 Nm	22 lbft
ORV-Ford5000 Outlet With 2 Port		
ORV-Ford5000 Outlet With 4 Port		
ORV-Ford5000 Outlet With 6 Port		



HPS-STEYR



Nominal Flow Rating / Displacement	45 l/min	12 U.S.G.P.M
Maximum Working Pressure (Series Circuit)	315 Bar	4600 PSI
Max. Back Pressure	25 Bar	360 PSI
Oil Temperature with NBR Seals	-20 to 80 C°	-4 to 176 F°
Oil Temperature with FPM (Viton) Seals	-20 to 100 C°	-4 to 212 F°
Tie rod tightening torque	30 Nm	22 lbft
ORV-STY Outlet With 2 Port		
ORV-STY Outlet With 4 Port		
ORV-STY Outlet With 6 Port		

HPS-FIAT



Nominal Flow Rating / Displacement	45 l/min	12 U.S.G.P.M
Maximum Working Pressure (Series Circuit)	315 Bar	4600 PSI
Max. Back Pressure	25 Bar	360 PSI
Oil Temperature with NBR Seals	-20 to 80 C°	-4 to 176 F°
Oil Temperature with FPM (Viton) Seals	-20 to 100 C°	-4 to 212 F°
Tie rod tightening torque	30 Nm	22 lbft
ORV-FIAT Outlet With 2 Port		
ORV-FIAT Outlet With 4 Port		
ORV-FIAT Outlet With 6 Port		



HPS-4W10 (NG10)



Nominal Flow Rating	100 l/min 27 U.S.G.P.M
Maximum Working Pressure	315 Bar 4600 PSI
Hydraulic Oil	ISO VG 32,46,68
Oil Temperature with NBR Seals	-15 to 70 C° -4 to 176 F°
Oil Temperature with FPM (Viton) Seals	-20 to 100 C° -4 to 212 F°
Degree of protection to DIN 40050 And IEP	IP 65
Internal Leakage (at 100 bar (1450 PSI), 40C°(110 F°), 46 cSt – A(B)–T)	2 cm3/min 0,12 in3/min
Mounting Pattern	ISO 4401 - 05

HPS-4WE6 (NG06)



Nominal Flow Rating Displacement	60 l/min 16 U.S.G.P.M
Maximum Working Pressure	315 Bar 4600 PSI
Hydraulic Oil	ISO VG 32,46,68
Oil Temperature with NBR Seals	-15 to 70 C° -4 to 176 F°
Oil Temperature with FPM (Viton) Seals	-20 to 100 C° -4 to 212 F°
Degree of protection to DIN 40050 And IEP	IP 65
Internal Leakage (at 100 bar (1450 PSI), 40C°(110 F°), 46 cSt – A(B)–T)	2 cm3/min 0,12 in3/min
Mounting Pattern	ISO 4401 - 03



HPS-KMV

Nominal Flow Rating / Displacement	150 l/min	38 U.S.G.P.M
Auxiliary Section	60 l/min	15 U.S.G.P.M
-Pilot pressure	6-12 Bar	90-180 PSI
-Tank pressure	30 Bar	450 PSI
Maximum Operating Pressure	250 Bar	4400 PSI
Maximum Peak Pressure	300 Bar	4600 PSI
Max. Back Pressure	25 Bar	360 PSI
Oil Temperature with NBR Seals		
Oil Temperature with FPM (Viton) Seals	-20 to 100 C°	-4 to 212 F°
Tie rod tightening torque		



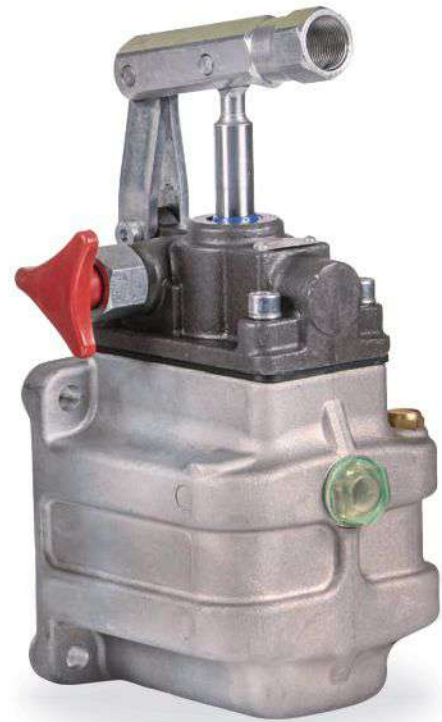
HPS-2B

Nominal Flow Rating / Displacement	110 l/min	29 U.S.G.P.M
-Pilot pressure	6-12 Bar	90-180 PSI
-Tank pressure	30 Bar	450 PSI
Maximum Operating Pressure	190 Bar	2800 PSI
Maximum Peak Pressure	250 Bar	3600 PSI
Oil Temperature with NBR Seals	-20 to 80 C°	-4 to 176 F°
Oil Temperature with FPM (Viton) Seals	-20 to 100 C°	-4 to 212 F°



HPS-3B

Nominal Flow Rating / Displacement	110 l/min	29 U.S.G.P.M
-Pilot pressure	6-12 Bar	90-180 PSI
-Tank pressure	30 Bar	450 PSI
Maximum Operating Pressure	190 Bar	2800 PSI
Maximum Peak Pressure	250 Bar	3600 PSI
Oil Temperature with NBR Seals	-20 to 80 C°	-4 to 176 F°
Oil Temperature with FPM (Viton) Seals	-20 to 100 C°	-4 to 212 F°



MODEL	TE CT-25	CE CT-25	TE TT-25
Nominal Flow Displacement - Totaly	25 cc/cycle - 0,007 U.S.G/cycle		
Nominal Flow Displacement - Pull Direction	14,5 cc/cycle - 0,004 U.S.G/cycle		
Nominal Flow Displacement - Push Direction	10,5 cc/cycle - 0,003 U.S.G/cycle		
Maximum Operating Pressure	300 Bar - 4400 PSI		
Oil Temperature with NBR Seals	-20 to 80 C° (-4 to 176 F °)		
Oil Temperature with FPM (Viton) Seals	-20 to 100 C°(-4 to 212 F °)		
Max. Level Of Contamination	19/16 - ISO 4406		

