

MD2500

CORE DRILLING RIG



Core Drilling Rig

www.melissondaj.com.tr

Core Drilling Rig

MD2500; In NQ size 2.500 meters and HQ size 1.750 meters can drill down. This drilling machine is designed and manufactured specifically for your mine research with its Multifunction use. Manufactured with world standard equipment and materials, all parts and components of our machine can be easily found all over the world.

+ OUR OPTIONS

- Easy availability of all parts and equipments used in machine anywhere around the world
- Compatible with all occupational safety criteria
- Easy and safe use
- Ability to make special production in all options according to requests and demands



High Performance

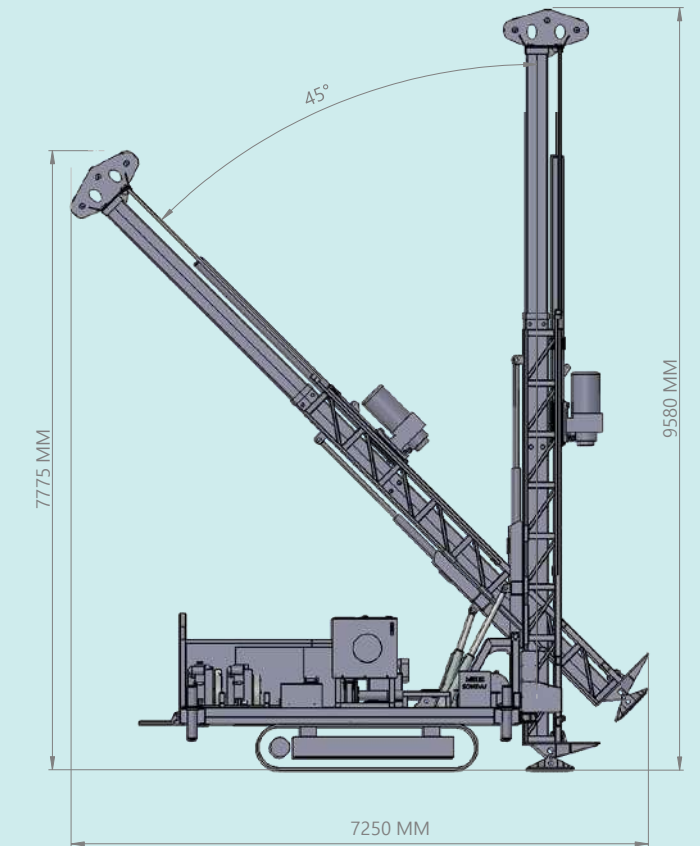
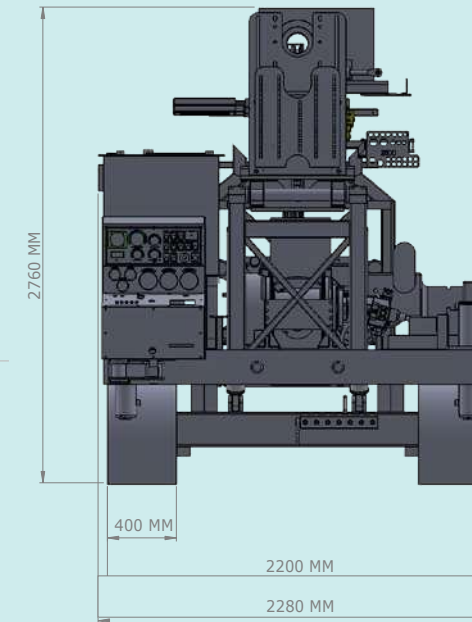
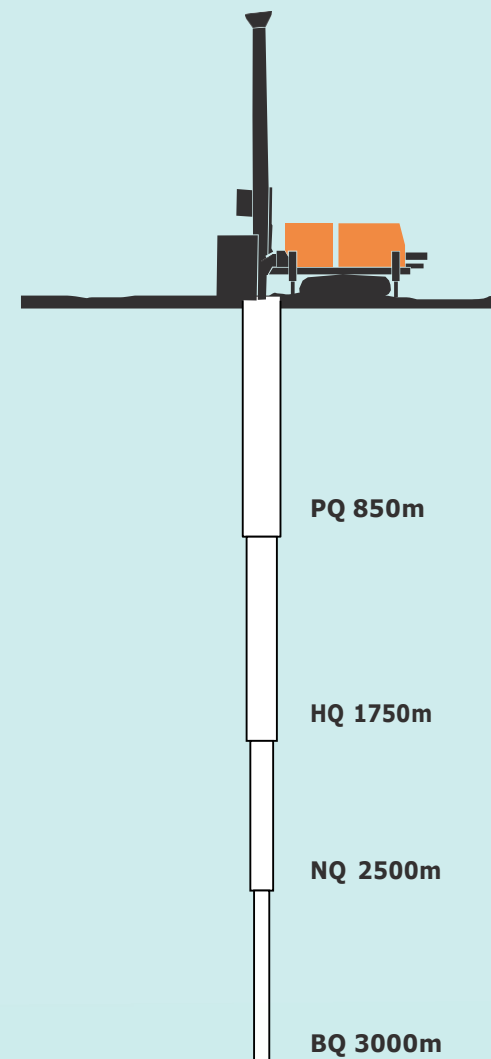
MD2500; we aim to provide the highest hydraulic and mechanically full-time performance, thanks to the high quality products that are also used and selected in our production. Aiming to provide you convenience and power in the most difficult land conditions, our machine is a multi-function drilling machine manufactured for you with its design and product quality.

Work Safety

MD2500; manufactured according to all occupational safety criteria, our machine provides all HSE standards under land conditions and during operation. Our company supports the zero accidental policy with both our personal trainings and our occupational safety equipment on the machine.

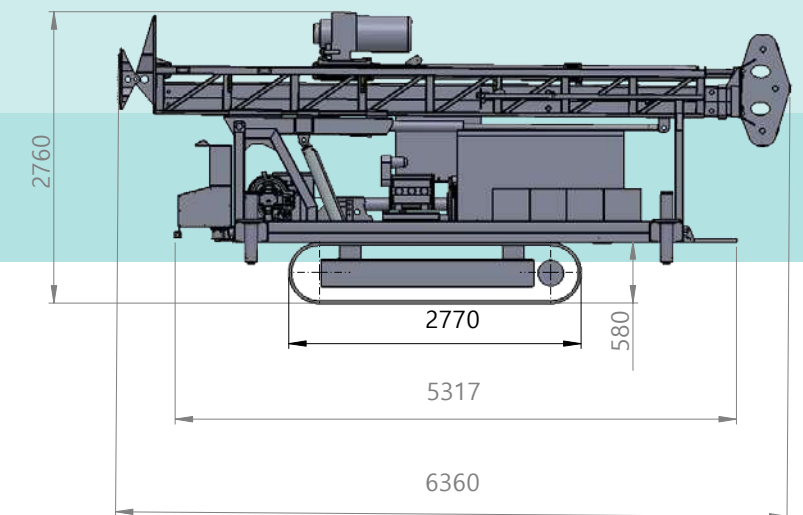
Ease of Use

MD2500; has all the analogue and digital indicators on the machine. Our panel provides the opportunity to monitor all data at the same time. It is designed for easy and simple use from difficult land conditions. This panel is also supported with remote monitoring and usage module and can be managed from thousands of kilometers by the moving panel and remote management module.



Main Parts:

- ▣ Hydraulic telescopic mast
- ▣ Convenient control panel
- ▣ Optional diesel engine
- ▣ Hydraulic jaws
- ▣ Main winch and wireline winch
- ▣ 200 liter fuel tank
- ▣ Triplex mud pump



DRILLING ANGLE	45° - 90°
Feed Stroke	335cm
Feed Pull	24.000kg
Feed Thrust	18.000 kg
Mast Features	<ul style="list-style-type: none"> ▣ Telescopic Folding Mast ▣ 6 mt Rod Pul ▣ Independent 2 Hydraulic Piston ▣ Hydraulically Side Moving Rotation Unit ▣ Main Winch on the Mast ▣ Emergency Safety Wire Ropes
Winch and Wire Ropes	
Main Winch	<ul style="list-style-type: none"> ▣ Braden Type ▣ Fixed Speed Hydraulic Powered Motor ▣ 18.000 Kg. Pull Up Capacity ▣ 15m/min Pull Up Speed ▣ 18mm Dia Wire Rope
Wireline Winch	<ul style="list-style-type: none"> ▣ 37 kN Free Drum Force ▣ 8,9 kN Full Drum Force ▣ 130m/min Free Drum Speed ▣ 550m/min Full Drum Speed ▣ 6 mm DIA, 1.600m Steel Rope
Crawler	STRICKLAND / A TRACK



UNIT	BRAND	FLOW	PRESSURE
MAIN HYDRAULIC PUMP	Kawasaki	140 cc	350 bar
▣ Variable Displacement Axial Pump			
▣ Load Sensing			
Second Hydraulic (Piston) Pump	Danfoss	60 cc	350 bar
Thirt Hydraulic Pump (Piston) Pump	Danfoss	45 cc	280 bar
Forth Hydraulic (Gear) Pump	Casappa / Hema	19 cc	200 bar
Fifth Hydraulic (Gear) Pump	Casappa / Hema	8 cc	200 bar
Wireline Hydromotor	Brevini/Danfoss	400 cc	
Mud Pump Hydromotor	Danfoss/ Eaton	125 cc	
Main Winch Hydromotor	Danfoss	80 cc	
Hydraulic Controller Units	Danfoss/ Bucher		
Control Panel Hydraulic Components	Sun/ Oleoweb		
Hydraulic Tank Capacity	400 Lt		
Cooler	Akg	DOUBLE COOLING	
Filters	RETURN, SUCTION , PRESSURE, AND ROTARY UNIT		

DRILL MAST AND FEED SYSTEM

ROTATION UNIT (LF230 LONGYEAR TYPE)

Hydromotor	160 cc	Danfoss	
Chuck Inner Diameter	119mm		
Jaw Quantity	7 Pieces		
Axial Holding Capacity	184.700 N		
Jaw Type	Hydraulic Compression Spring Opening		
Mechanical Transmission	Funk type 4 G		
Main Gear Ratio	2:1		
Transmission	Gear Ratios	RPM	Torque
1.	6,27:1	160 rpm - 260 rpm	9.784 Nm - 6.002 Nm
2.	3,12:1	320 rpm - 522 rpm	4.868 Nm - 2.986 Nm
3.	1,75:1	571 rpm - 930 rpm	2.730 Nm - 1.675 Nm
4.	1,00:1	1.000 rpm - 1.630 rpm	1.560 Nm - 957 Nm

HYDRAULIC FEATURES



ENGINE

ENGINE MODUL	Cummins / Ford / Volvo / Mercedes-Benz
Maximum Power	320 Hp - 360 Hp @2100 rpm
Full Tank Capacity	200 Lt
Emission Certification	Tier-6 Certification
Tork Values	1700 Nm @ 1300 rpm
Control Unit	Electronic Control (ECM)

DRILLING CAPACITIES

Wireline Rod Name	Outer dimensions (mm)	Dry Well (m)	Wet Well (m)
BQ	55,60	2400	3000
NQ	69,90	1800	2500
HQ	88,90	1250	1750
PQ	114,00	600	850





**MELİS
SONDAJ**
MAKİNA SANAYİ

Headquartes
İ.O.S.B. 21. Av. Güneş
90 San. Sit. 1401 St.
No:49 OSTİM
ANKARA

Factory Address
Saray Neighbourhood.
Saraykent San. Sit. 32. St.
No:9 Kahramankazan -
ANKARA

T. 0 312 394 53 44
F. 0 312 394 08 46
M. 0 530 109 49 16
M. 0 530 109 49 17
info@melisondaj.com.tr

www.melisondaj.com.tr