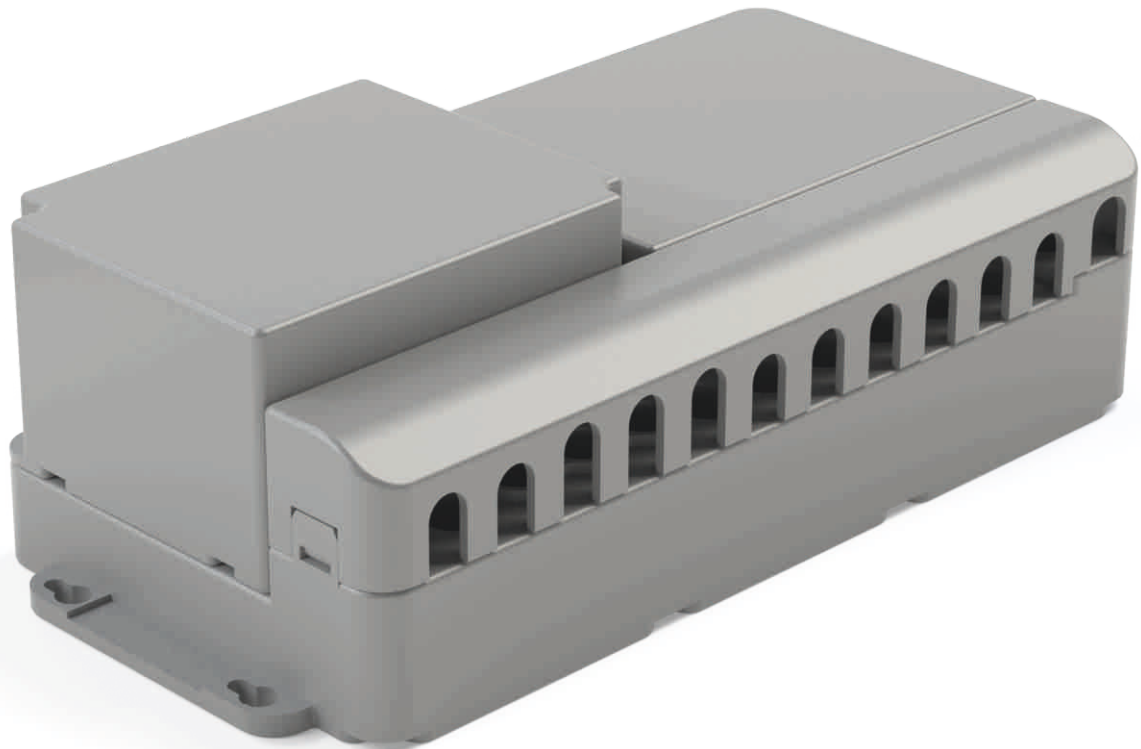


# CBX01 Control Box



## FEATURES

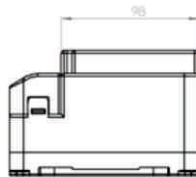
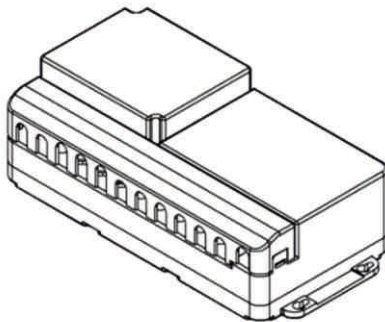
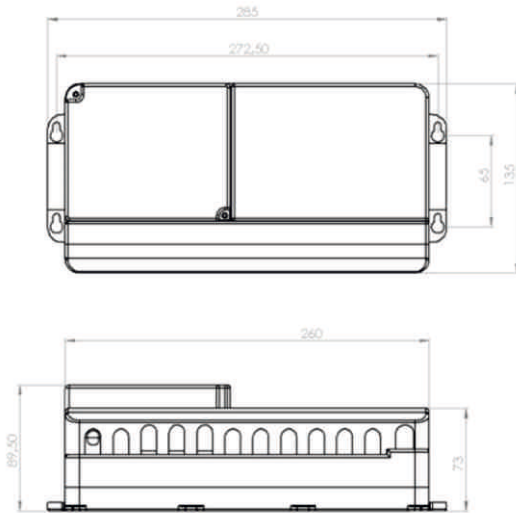
CHANNELS	4 ~ 6 Actuators
OPERATING ELEMENTS	1 ~ 3 Handsets or Supervisor Control
POWER SUPPLY	180W SMPS 100-240V 50/60Hz
OUTPUT VOLTAGE	24 V DC
DUTY CYCLE	10 % 1 min. / 9 min.
PROTECTION TYPE	IPX6
COLOUR	RAL 7035 Light Grey
MODBUS microprocessor control	
OPERATION TEMPRATURE RANGE	+5 °C ~ +40 °C

## BENEFITS

Customized software for advanced medical projects  
 Current overload protection  
 Compact sizes  
 Transistor control unit (no Relay)  
 Serial communication  
 Long lifetime

## OPTIONAL

BATTERY	BAT01 Rechargeable Battery 24 V DC 1.3 Ah (Removable)
Customized Software	
POWER SUPPLY	270W SMPS 100-240V 50/60Hz



## Ordering Example

C B X 0 1 - S 1 2 N 1 G S 4 0 1

<b>Type</b>								
Board								
Software				S				
Analog				A				
<b>Power Supply</b>								
29V 120W				1				
24V 120W				2				
24V 170W				3				
24V 270W				4				
<b>Channels</b>								
2-6					2-6			
<b>Battery Connectors</b>								
With Battery Connection						B		
No						N		
<b>Number of Controllers</b>								
1-3							1-3	
<b>Colour</b>								
Gray	RAL 7035						G	
Black							B	
<b>Software</b>								
Standart Software								S401
Customised Software								C001