



Technical Specification

GUESS 503 / K

Intensive Care Hospital Bed (5 Motors) (Lateral Tilt)

Part no: 40520730000001



Content

1. Technical Specification	2
2. User Interface	5

Product Description

WARNING!

Service work contained in this manual should only be undertaken by Kenmak trained and authorized service agents. Only Kenmak supplied parts should be used. Failure to comply with the above two items will void warranty and could result in further unnecessary damage to the bed and possible extreme safety hazard to the person occupying the bed and/or caring staff.

PURPOSE

This document will be made available to Kenmak staff, distributors, agents and authorized Kenmak service providers. It is not for publication or distribution to the public or clients who may use the information to allow other companies or individuals to repair or modify Kenmak products.

This document and its contents are intended to be used in the performance of service on Kenmak produced products, i.e., Protean range series products. This document also serves as a reference for office and sales staff in the performance of their duties, i.e., collecting service call information to facilitate the expedient diagnosis of any problems and problem solutions.

This document should be read in conjunction with Kenmak's Operating and Assembly Guides, Instruction Manuals and Spare Parts Catalogues. This document is copyright to Kenmak Beds and must not be reproduced in any form without written permission of Kenmak.

1. Technical Specifications

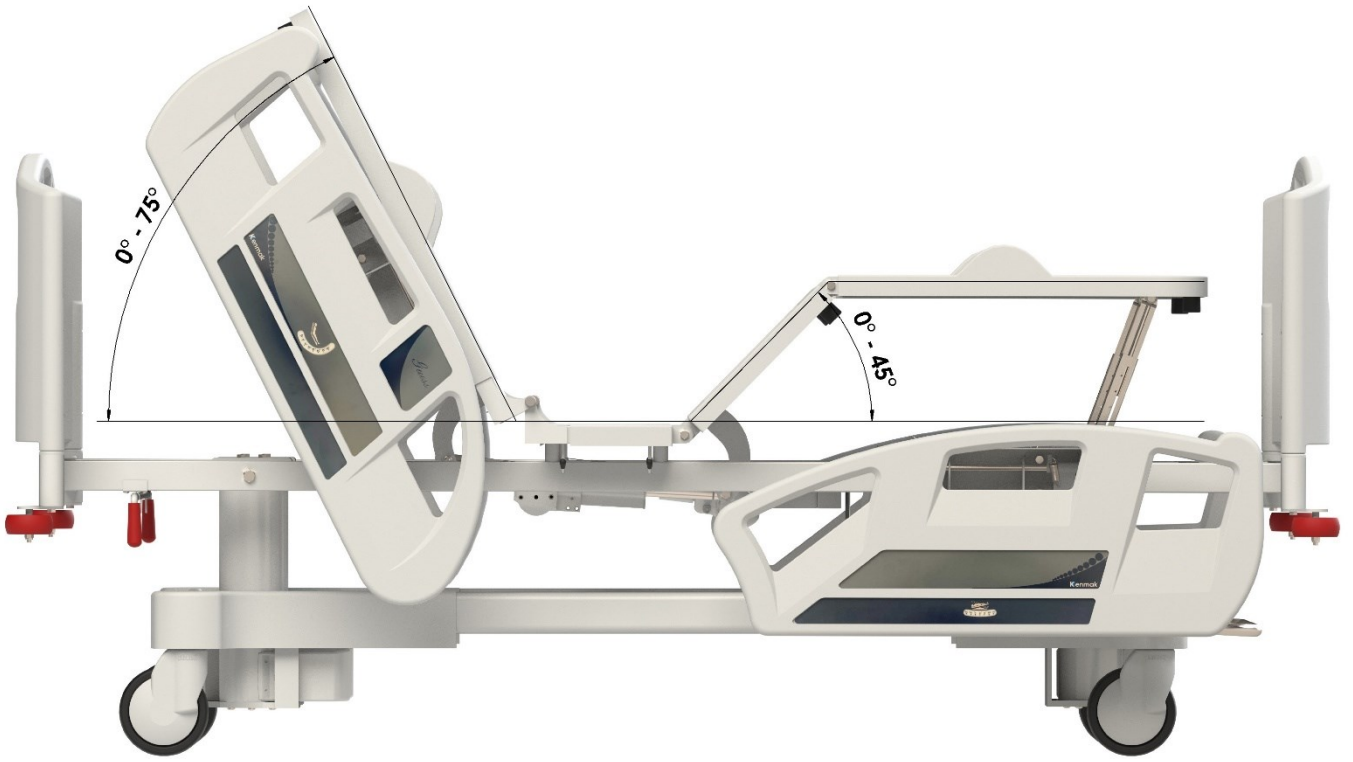
ENG



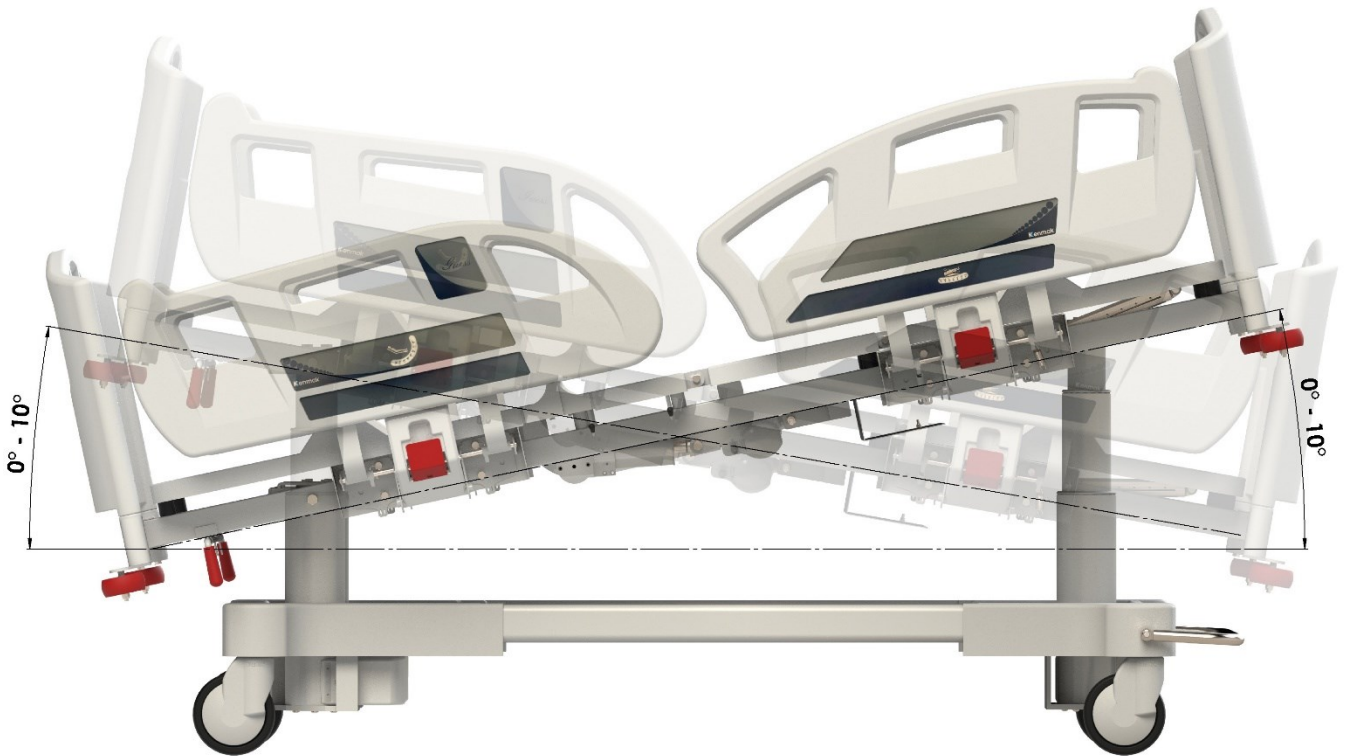
- Size of the mattress to be placed on it is 92cm x 195cm.



- Travel height distance between the lying surface and the ground is 55 - 95 cm.



- Angular value works in the range specified in the image above.

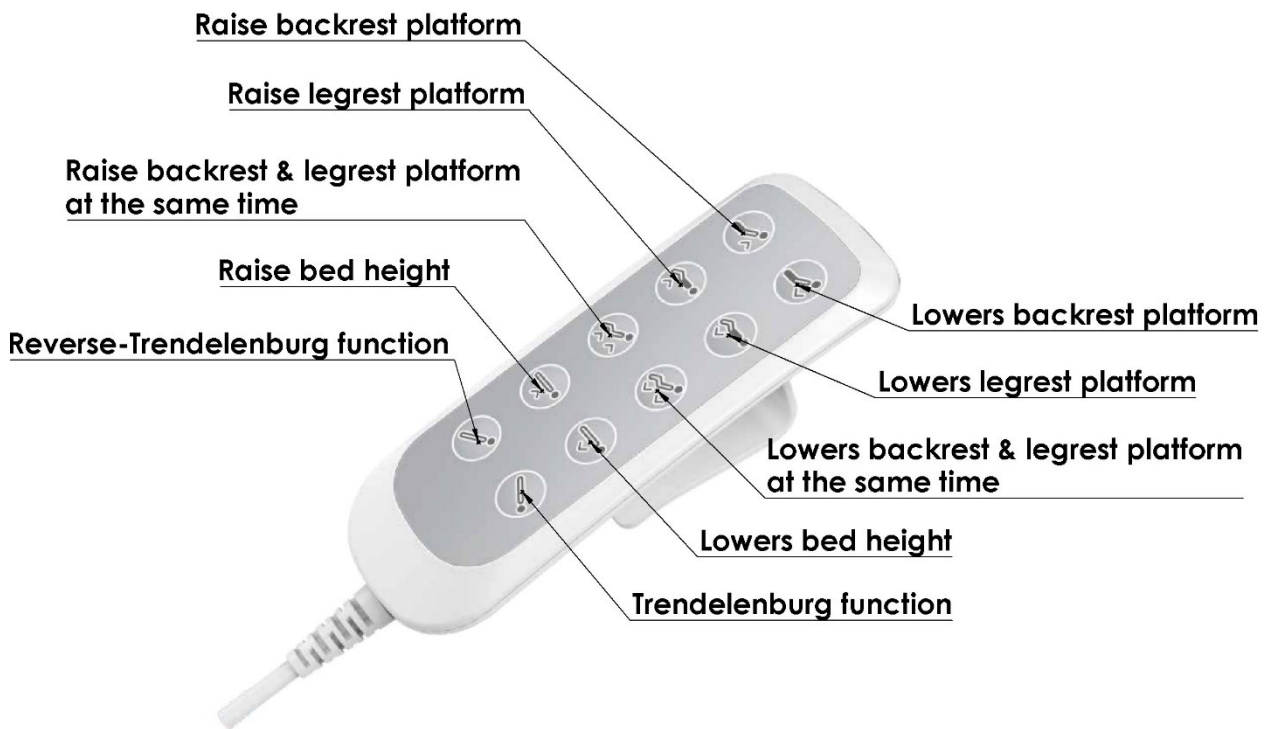


- The Trendelenburg function is shown in the top picture.

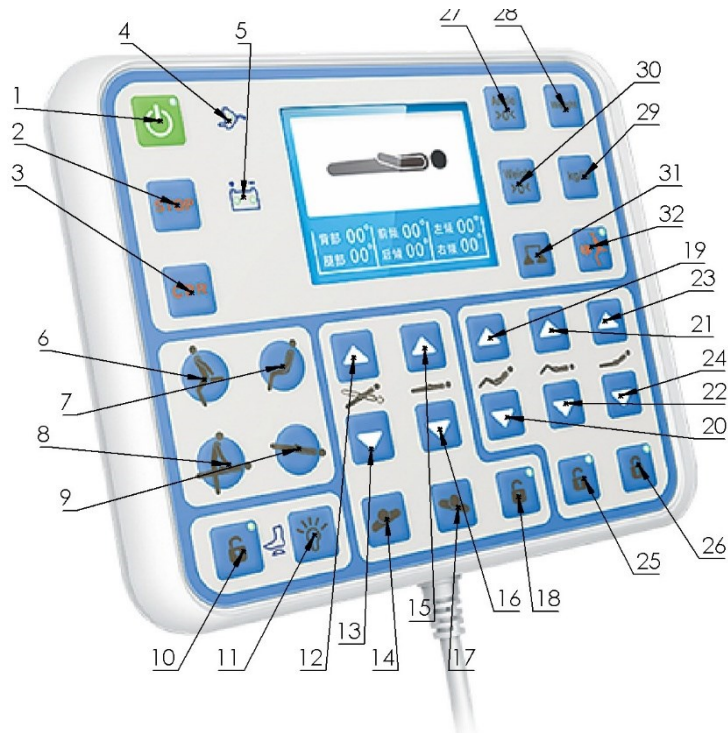


- The lateral tilt function is shown in the top picture.
- The patient bed backrest, leg rest, height, Trendelenburg – reverse Trendelenburg functions and lateral tilt functions are adjustable by electrical motors.
- The Electrical system is 220 Volts, 50 Hz line voltage, 24V output
- It has a self-chargeable battery system for electric cut off
- The bed has central locking castors.
- The bed has separately remote-control panel and nurse control panel
- It has a CPR button.
- When nurse control panel is not used, or panel used without permission it can automatically turn-off itself.
- The mattress surface is X-Ray translucent and covered with ABS material.

- Control Panel:**



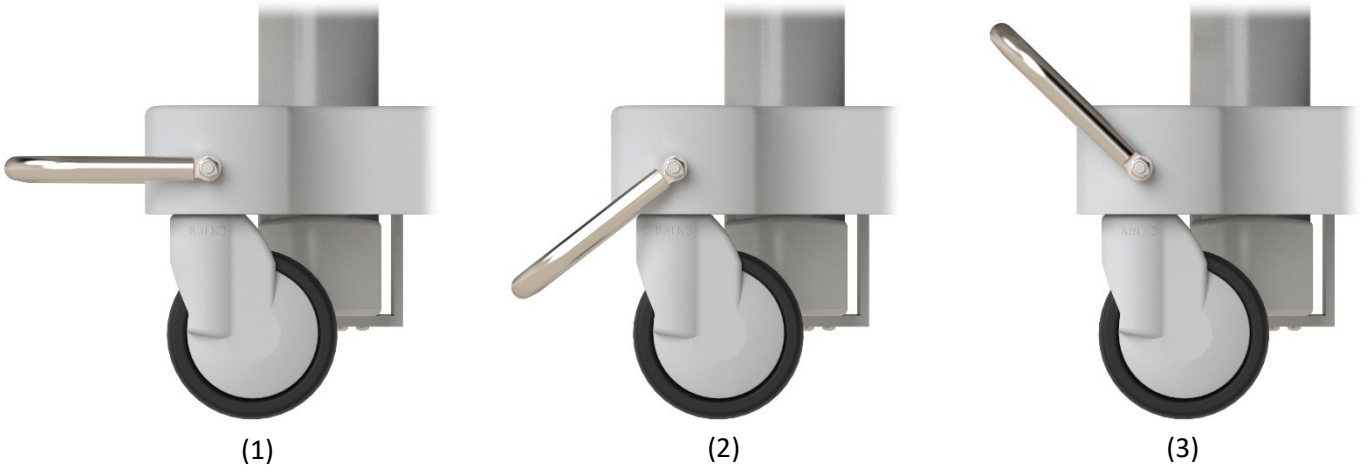
- Nurse Panel:**



1. Activates nurse control panel. When light is green panel is ready to use.
2. When pressing button, the working function will stop immediately while lock lights will go out.
3. CPR button. The bed will set to initial position.

4. Indicates that the bed's wall socket connection is active.
5. Indicates that the bed is on battery power or charging is active.
6. Off bed button.
7. Relaxation button.
8. Rescue button.
9. TR button.
10. Foot switch lock button.
11. Activates bed lights.
12. Trendelenburg function.
13. Reverse – Trendelenburg function.
14. Lateral tilt function
15. Raise bed height.
16. Lowers bed height.
17. Lateral tilt function
18. Lock Trendelenburg, tilt and height adjustment. (When lock is active bed control panel is inactive.)
19. Raise backrest and leg rest platform of the bed at the same time.
20. Lowers backrest and leg rest platform of the bed at the same time.
21. Raise leg rest platform of the bed.
22. Lowers leg rest platform of the bed.
23. Raise backrest platform of the bed.
24. Lowers backrest platform of the bed.
25. Lock for leg rest adjustment. (When lock is active bed control panel is inactive.)
26. Lock for backrest adjustment. (When lock is active bed control panel is inactive.)
27. Angle reset button (work only at the main interface.)
 - a. Angle reset button works only when 4 angle sensors all less than 5°. Angle sensor will be 0° after reset.
 - b. The angle will be 0° when press reset button and it will be the previous value when press again.
28. Enter / Exit weight interface:
 - a. It enters weight interface when press the button and it show s current weight, previous weight and difference value. The current weight and difference value will change along with the weight. The deviation is 100g when testing at 0-150kg load.
 - b. When displaying weight interface, it will exit from weight interface after pressing the button and the current weight will be previous weight.
 - c. When displaying weight interface, the interface will switch to the main interface after pressing operation buttons and it will return to weight interface when loosen the buttons.
29. Weight conversation button.
 - a. Default display unit is kg.
 - b. It still displays kg in correction model when displaying lb. (It can be corrected only when the unit is Kg)
30. Weight reset button (work only at the weight interface):
 - a. After LCD display value stabilizes, press reset button till hearing buzzer rings. Loosen button and reset is complete. The display will show 0,00 KG.
 - b. After LCD display value stabilizes, press reset button till hearing buzzer rings. Keep pressing it till buzzer always rings. Loosen the display will show the actual weight.
31. Adjust button (work only at the weight interface). It enters adjustment model after pressing the button for 5 seconds.
 - a. Adjust 0,0kg and 150, 0kg.Adjust angular difference before adjusting.
 - b. Actuators can not move in adjustment state.
32. Off bed alarm button:
 - a. Default off bed alarm function is closed.
 - b. The light will be bright when open the function. When off bed weight is more then 10kg, buzzer will ring and stop the noise40 seconds later. The off-bed alarm function can be closed when pressing the button.

- **How to use the brake pedal:**



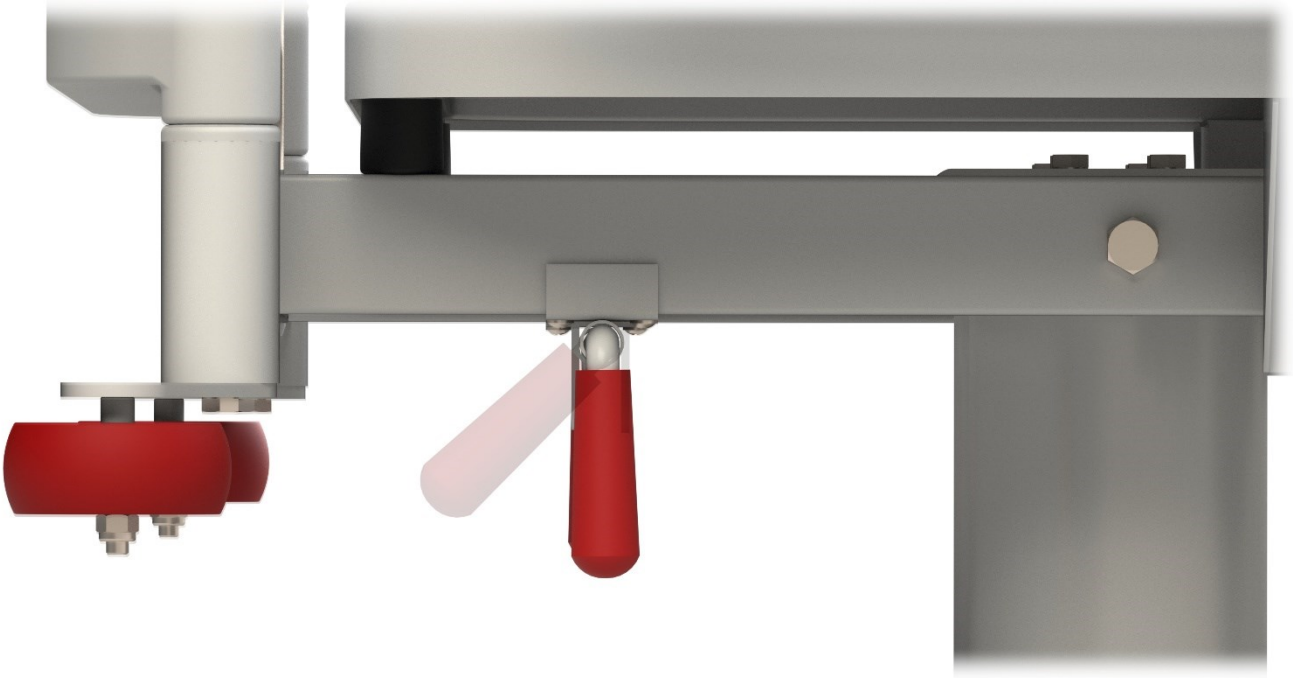
1. When the bar is parallel to the ground, the bed is free. Brake and direction lock are not active.
2. When the brake pedal is down position, the central locking on all wheels is active. The bed cannot move. Direction lock is active when the brake pedal is in the up position. The direction-locked wheel is front of the bed does not turn left or right, but the bed can move.

- **How to Use Side Rails**



When you pull the red handle towards you, the side rail mechanism opens and the guard swings down and opens. To lift and lock the railing, simply grab the grip areas and pull upwards. Guardrail locking mechanism self-lock in a certain position.

- ***Backrest actuator release handle***



It is the manual lever used to lower the backrest actuator in case of emergency or lack of electricity. By pulling up towards the bedside, the engine is neutralized and the backrest is lowered.

HUMAN CARE SWEDEN (HQ)

Årstaängsvägen 21B

117 43 Stockholm

Phone:- +46 8 665 35 00

Fax:- +46 8 665 35 10

E-post: info.se@humancaregroup.com

www.humancare.se

HUMAN CARE CANADA

10-155 Colonnade Road

Ottawa, ON K2E 7K1

Phone: +1 613 723 6734

Fax: +1 613 723 1058

Email: info.ca@humancaregroup.com

www.humancaregroup.com

HUMAN CARE UNITED STATES

8006 Cameron Street, Suite K

Austin, TX 78754

Phone: +1 512 476 7199

Fax: +1 512 476 7190

Email: info.us@humancaregroup.com

www.humancaregroup.com

HUMAN CARE NETHERLANDS

Elspeterweg 124

8076 PA Vierhouten

Phone: +31 577-412171

Fax: +31 577-412170

Email: info.nl@humancaregroup.com

www.humancaregroup.com

KENMAK TURKEY

Sarıç Yolu No:23 Gaziemir / İzmir

Phone: +31 577-412171

Fax: +31 577-412170

Email: kenmak@kenmak.com.tr

www.kenmak.com.tr

