

Kenmak[®]

part of the Human Care Group



Technical Specification

K034 T 2K

Part no: 40570730000002



Content

1. Technical Specification	2
2. User Interface	5

Product Description

WARNING!

Service work contained in this manual should only be undertaken by Kenmak trained and authorized service agents. Only Kenmak supplied parts should be used. Failure to comply with the above two items will void warranty and could result in further unnecessary damage to the bed and possible extreme safety hazard to the person occupying the bed and/or caring staff.

PURPOSE

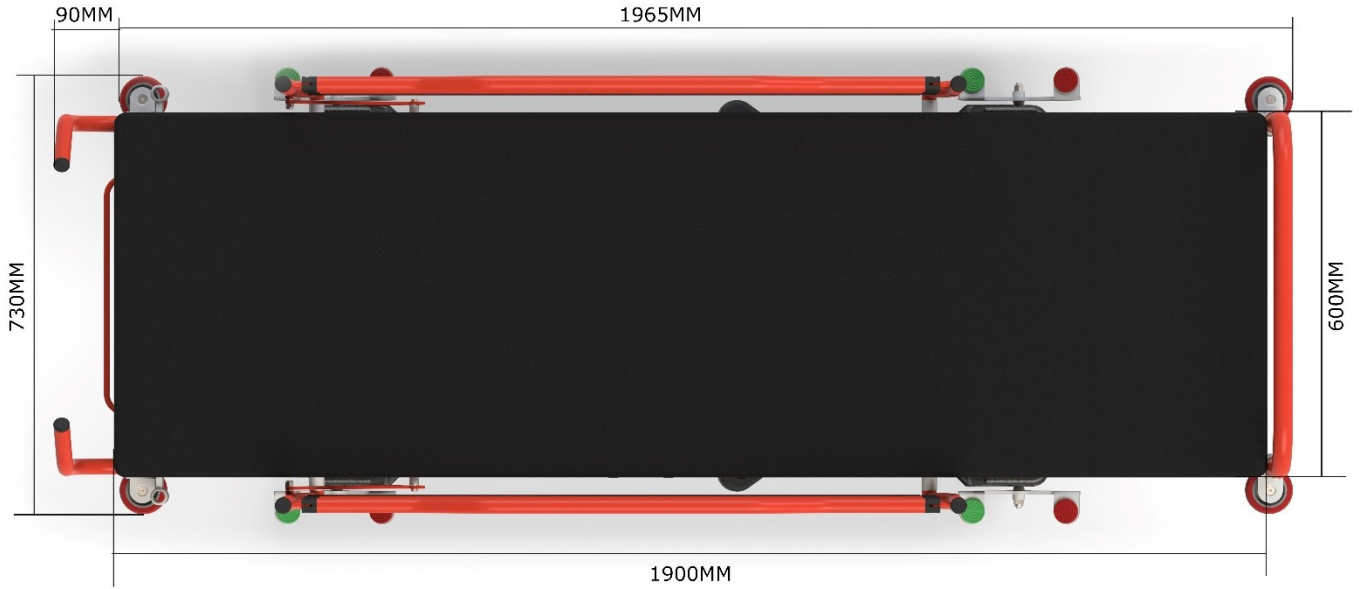
This document will be made available to Kenmak staff, distributors, agents and authorized Kenmak service providers. It is not for publication or distribution to the public or clients who may use the information to allow other companies or individuals to repair or modify Kenmak products.

This document and its contents are intended to be used in the performance of service on Kenmak produced products, i.e., Protean range series products. This document also serves as a reference for office and sales staff in the performance of their duties, i.e., collecting service call information to facilitate the expedient diagnosis of any problems and problem solutions.

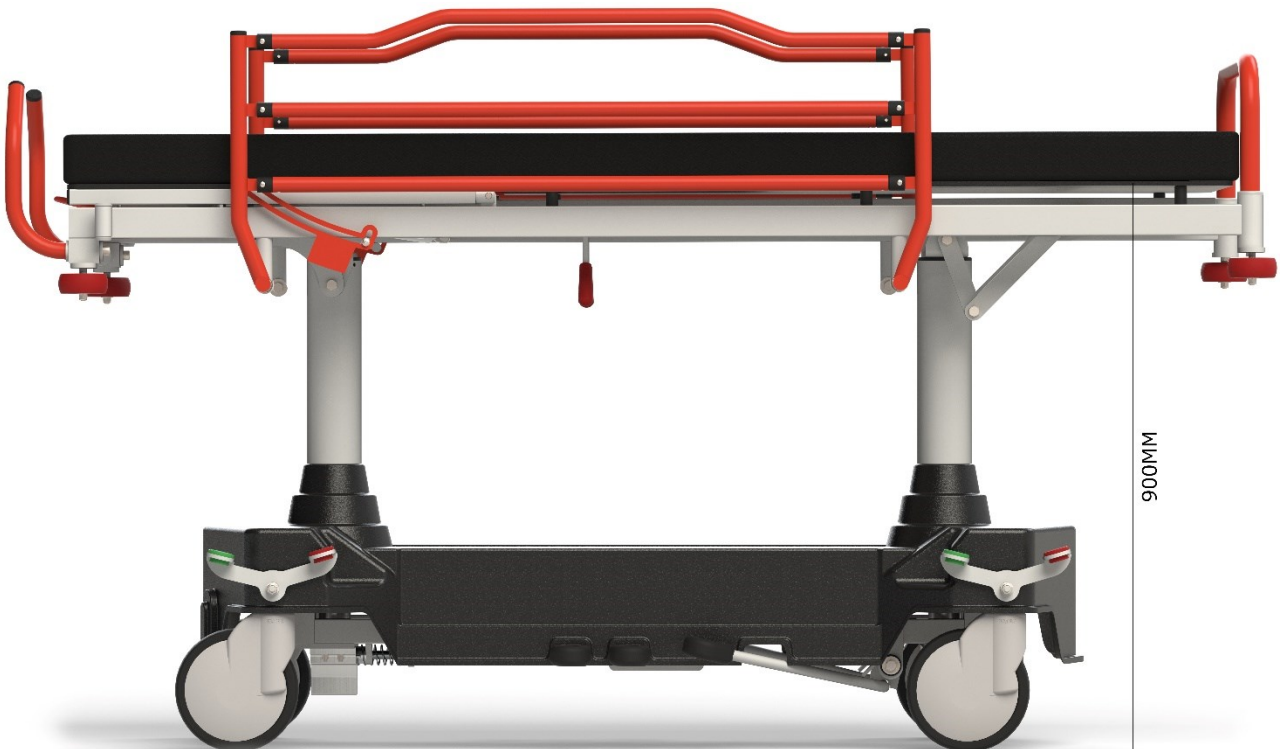
This document should be read in conjunction with Kenmak's Operating and Assembly Guides, Instruction Manuals and Spare Parts Catalogues. This document is copyright to Kenmak Beds and must not be reproduced in any form without written permission of Kenmak.

1. Technical Specifications

ENG



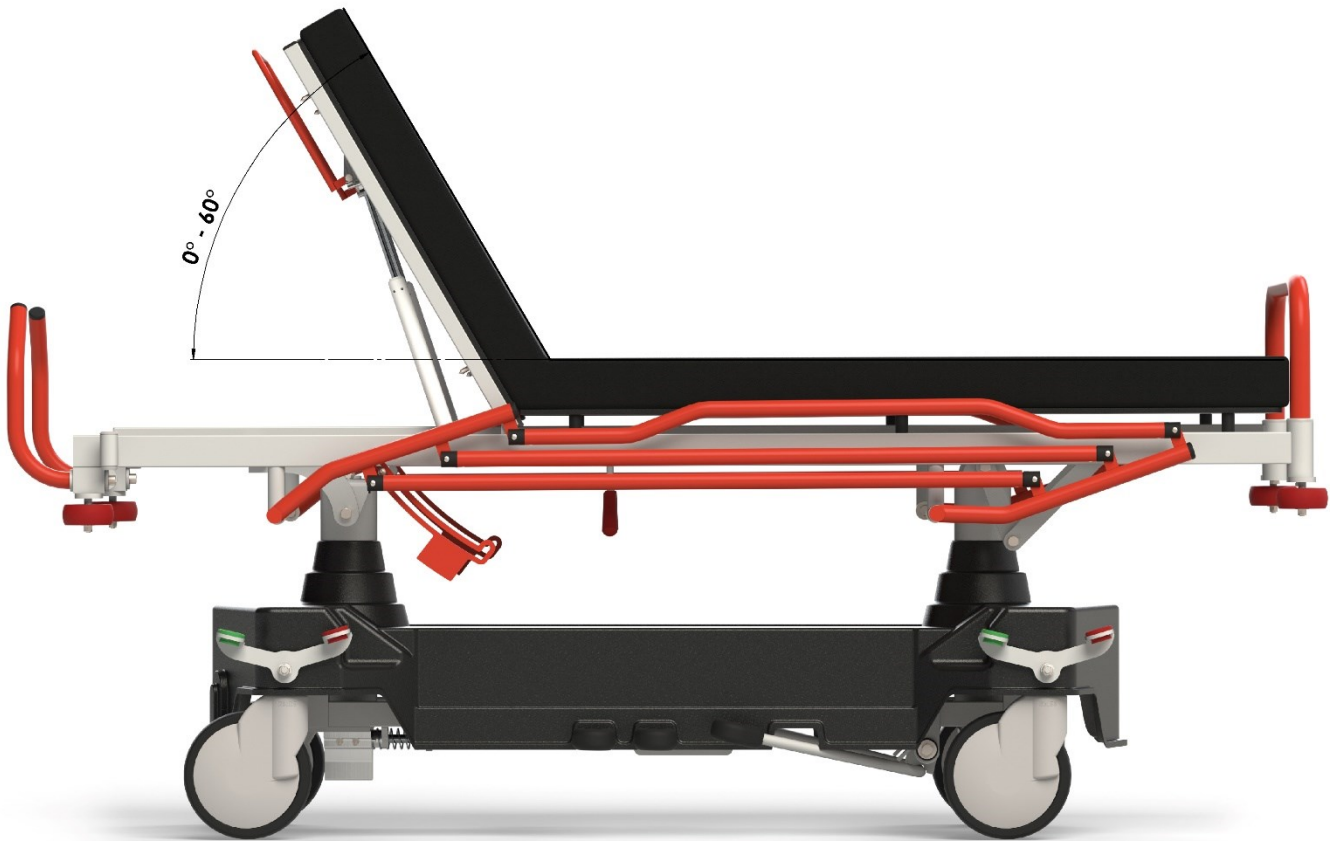
- Size of the mattress to be placed on it is 60cm x 190cm x 8cm



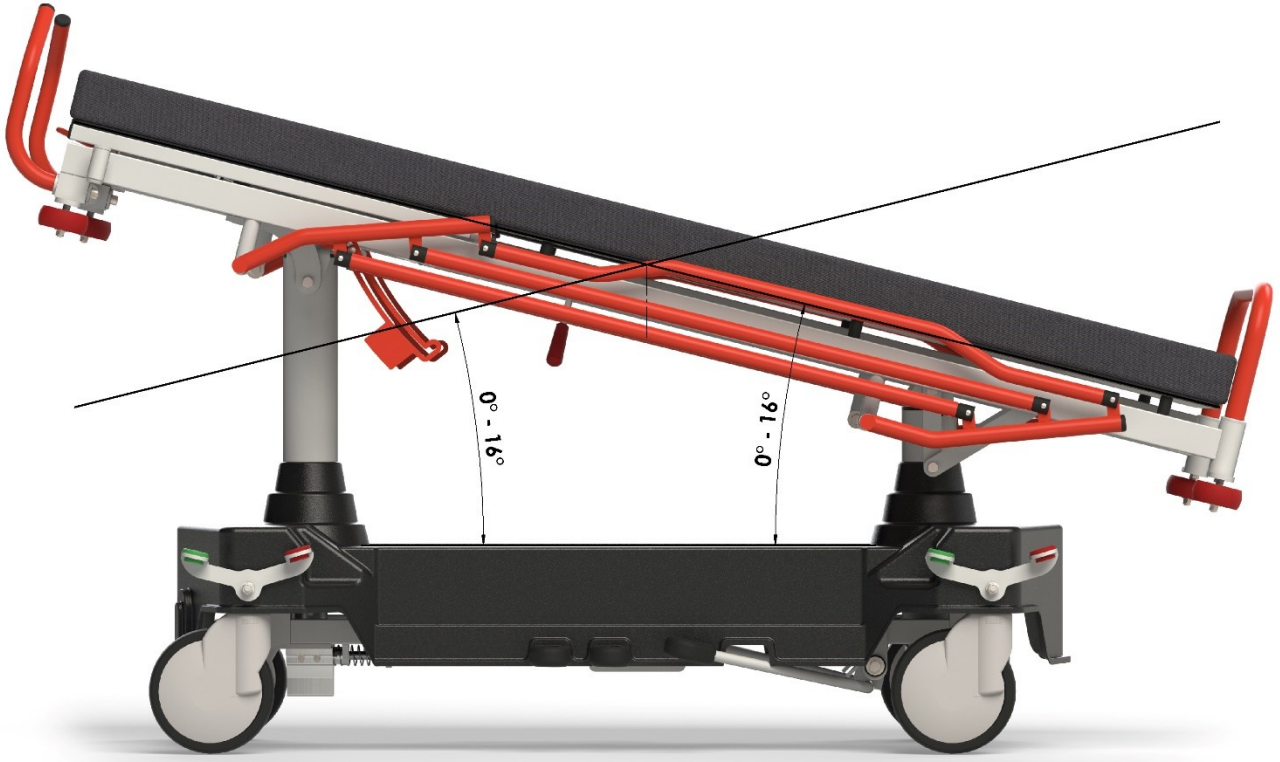
- The maximum height between the lying surface and the ground is 90 cm.



- The minimum height between the lying surface and the ground is 65 cm.



- Angular value works in the range specified in the image above



- Trend movement 16° degrees in both directions
- Backrest height function is adjustment by gas spring, Trendelenburg and reverse Trendelenburg adjustment with hydraulic column.
- It has central lock system.
- Overall length x-ray translucent function.

To fold the push arm, the user can pull the pin located on the inside towards himself and fold the arm inward. When it returns to its original position, the pin is automatically locked and the push handle is fixed.

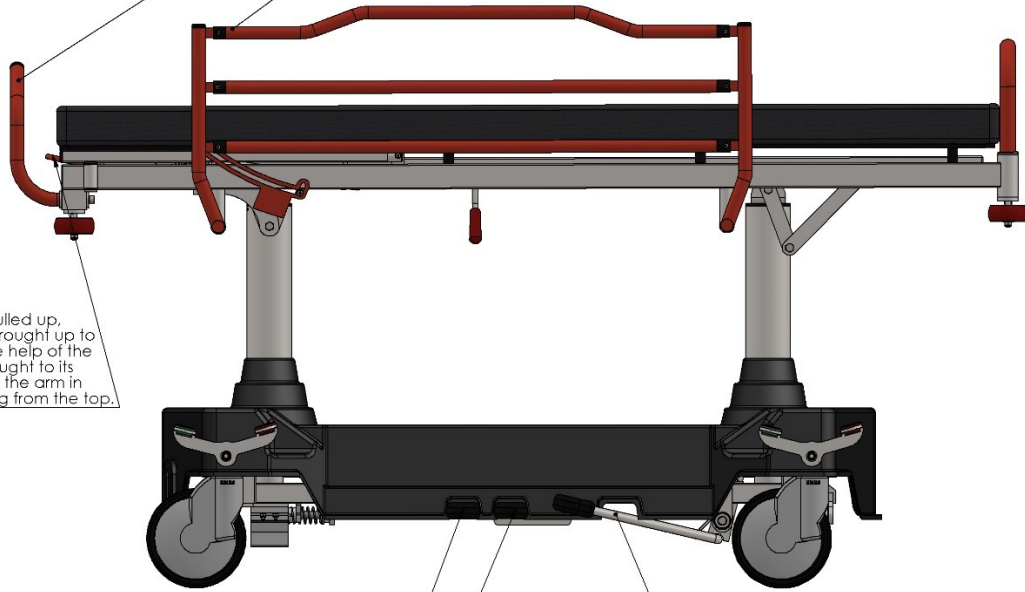
To move the side rails, it can be recovered by pushing up from the slide lock mechanism on the side. Then the guardrail folds up when pushed horizontally.

When the bedside arm is pulled up, the bedside part can be brought up to the desired position with the help of the blocklift. To lower it, it is brought to its original position by keeping the arm in the up position and pressing from the top.

When pressed, the hydraulic pump in the left direction is discharged and the stretcher trend is brought to the desired trend position by only going down the right direction. In order for the stretcher to descend evenly, two small pedals must be pressed at the same time.

It is the pedal that increases the height of the stretcher. As it is pressed repeatedly, the stretcher rises. It raises both hydraulic pumps at the same time.

When pressed, the hydraulic pump in the right direction is discharged and the stretcher trend is brought to the desired trend position by only going down the right direction. In order for the stretcher to descend evenly, two small pedals must be pressed at the same time.



HUMAN CARE SWEDEN (HQ)

Årstaängsvägen 21B

117 43 Stockholm

Phone:- +46 8 665 35 00

Fax:- +46 8 665 35 10

E-post: info.se@humancaregroup.com

www.humancare.se

HUMAN CARE CANADA

10-155 Colonnade Road

Ottawa, ON K2E 7K1

Phone: +1 613 723 6734

Fax: +1 613 723 1058

Email: info.ca@humancaregroup.com

www.humancaregroup.com

HUMAN CARE UNITED STATES

8006 Cameron Street, Suite K

Austin, TX 78754

Phone: +1 512 476 7199

Fax: +1 512 476 7190

Email: info.us@humancaregroup.com

www.humancaregroup.com

HUMAN CARE NETHERLANDS

Els peterweg 124

8076 PA Vierhouten

Phone: +31 577-412171

Fax: +31 577-412170

Email: info.nl@humancaregroup.com

www.humancaregroup.com

KENMAK TURKEY

Sarıç Yolu No:23 Gaziemir / İzmir

Phone: +31 577-412171

Fax: +31 577-412170

Email: kenmak@kenmak.com.tr

www.kenmak.com.tr

