

Kenmak[®]

part of the Human Care Group



Technical Specification

K015 / ES – Gynecological Examination Chair
with Three Motors (Telescopic Motors)

Part no: 4055073000007



Content

1. Technical Specification	2
2. User Interface	4

Product Description

WARNING!

Service work contained in this manual should only be undertaken by Kenmak trained and authorized service agents. Only Kenmak supplied parts should be used. Failure to comply with the above two items will void warranty and could result in further unnecessary damage to the bed and possible extreme safety hazard to the person occupying the bed and/or caring staff.

PURPOSE

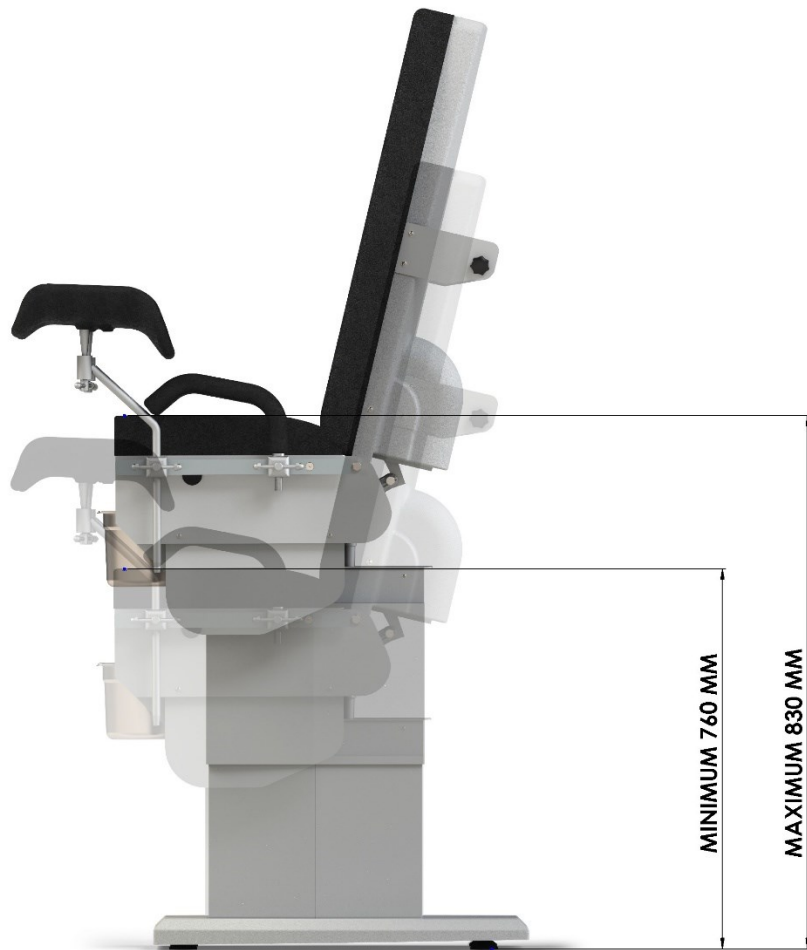
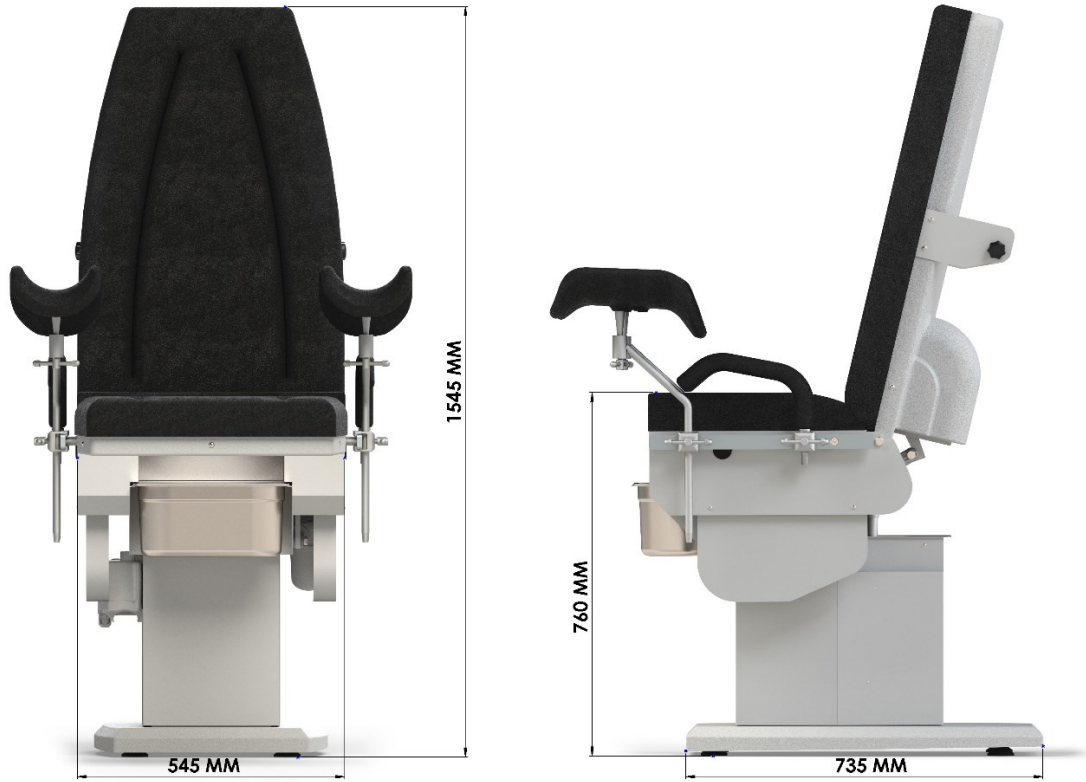
This document will be made available to Kenmak staff, distributors, agents and authorized Kenmak service providers. It is not for publication or distribution to the public or clients who may use the information to allow other companies or individuals to repair or modify Kenmak products.

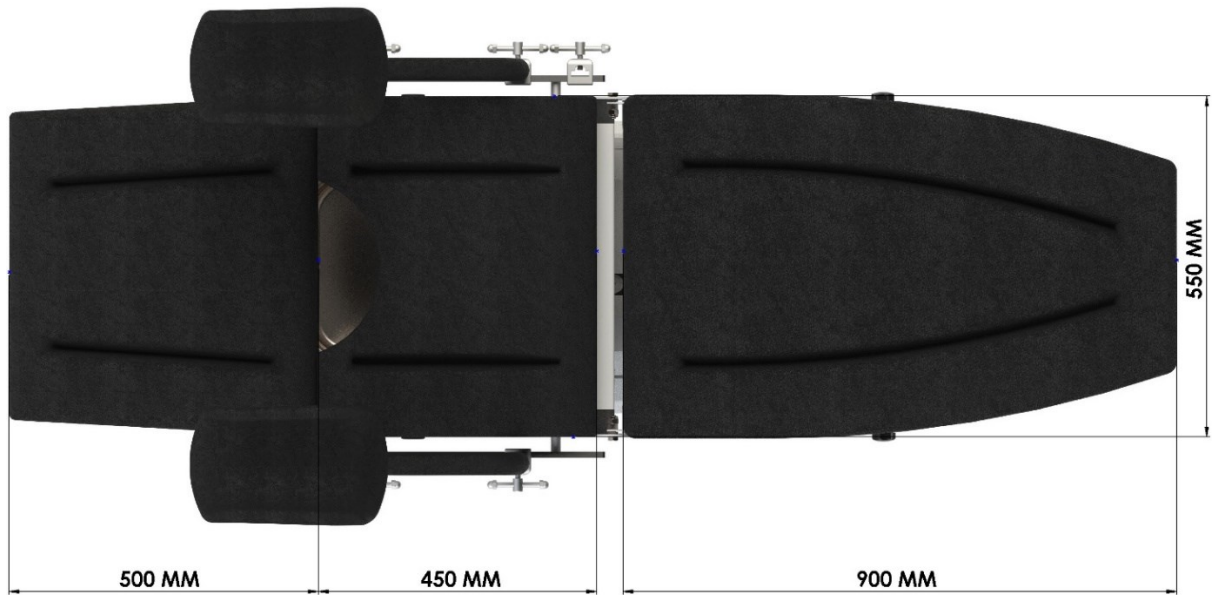
This document and its contents are intended to be used in the performance of service on Kenmak produced products, i.e., Protean range series products. This document also serves as a reference for office and sales staff in the performance of their duties, i.e., collecting service call information to facilitate the expedient diagnosis of any problems and problem solutions.

This document should be read in conjunction with Kenmak 's Operating and Assembly Guides, Instruction Manuals and Spare Parts Catalogues. This document is copyright to Kenmak Beds and must not be reproduced in any form without written permission of Kenmak.

1. Technical Specifications

ENG





- The patient chair backrest, height and Trendelenburg functions are adjustable by electrical motors.
- The electrical motors are 220Volt, 50 Hz-Line, 24V is output.
- Motors control by foot pedal.
- If necessary proctology knee, inguinal and heel support accessories available.

- Control Panel:



HUMAN CARE SWEDEN (HQ)

Årstaängsvägen 21B

117 43 Stockholm

Phone:- +46 8 665 35 00

Fax:- +46 8 665 35 10

E-post: info.se@humancaregroup.com

www.humancare.se

HUMAN CARE CANADA

10-155 Colonnade Road

Ottawa, ON K2E 7K1

Phone: +1 613 723 6734

Fax: +1 613 723 1058

Email: info.ca@humancaregroup.com

www.humancaregroup.com

HUMAN CARE UNITED STATES

8006 Cameron Street, Suite K

Austin, TX 78754

Phone: +1 512 476 7199

Fax: +1 512 476 7190

Email: info.us@humancaregroup.com

www.humancaregroup.com

HUMAN CARE NETHERLANDS

Elspeterweg 124

8076 PA Vierhouten

Phone: +31 577-412171

Fax: +31 577-412170

Email: info.nl@humancaregroup.com

www.humancaregroup.com

KENMAK TURKEY

Sarıç Yolu No:23 Gaziemir / İzmir

Phone: +31 577-412171

Fax: +31 577-412170

Email: kenmak@kenmak.com.tr

www.kenmak.com.tr

Kenmak[®]
part of the Human Care Group

