

Disposable Rigid Laparoscopy

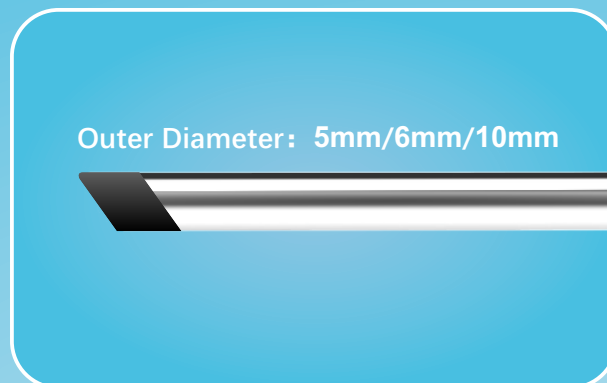
- **1.0 Megapixel**
4K HD disposable camera for clearer images
- **Safety**
Sterile packing is designed to eliminate the risk of infection or transmission of viruses.
- **Cost-saving**
Low cost and well manufactured, excellent performance in clinical trials
- **Anti-fog**
Process for anti-fog lenses to ensure clear observation during surgery.

HD Anti-fog Camera

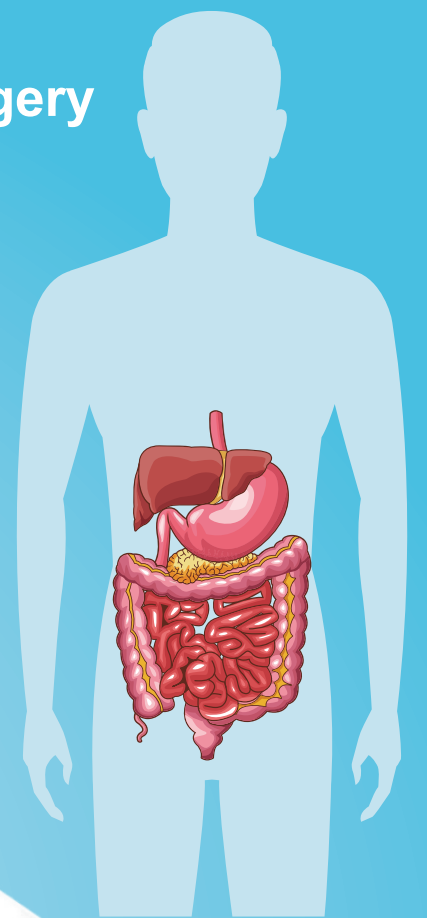
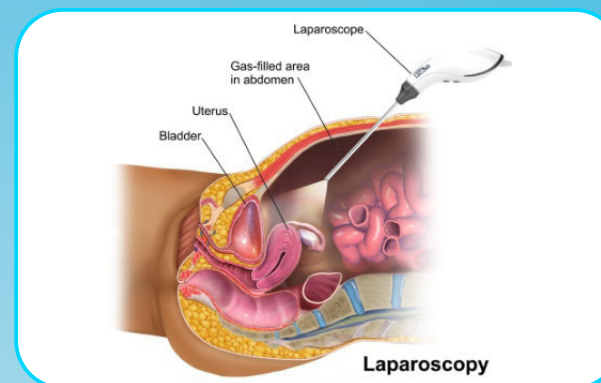


1080P/2K/4K

Rigid Tube Design



Application to Laparoscopic Surgery

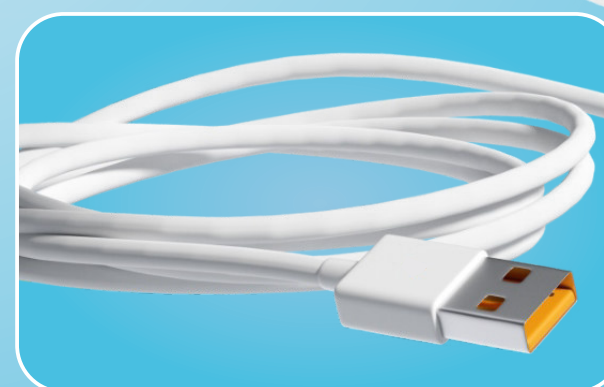


An Advanced, Single-use, Arthroscopic Innovation

- Single-use
- Universal
- Safety
- Versatile
- Light
- Weight



Photo/Video Button



USB Output

