

# ET600

ELECTRO-HYDRAULIC  
OPERATING TABLE

Developments made in the conjunction with doctors: this is one of the basic principles which has made TECHARTMED the world market leader for operating tables. Close cooperation and years of experience have resulted in tried and tested products which facilitate the work in the operating room and help to increase the safety and comfort of the patient.

Best example: this table can maintain stability in any position even with extreme loads. The modular structure enables it to be adapted to match the size of the patient and in no time at all it can be equipped for any surgical discipline. A longitudinal shift of up to 350mm makes the operating table even more versatile.



Well Sold For 40 Years Worldwide  
Meet The Basic Demands Of General Surgery



YOUR IDEAL OPERATING TABLE SUPPLIER

[www.techartmed.com](http://www.techartmed.com)

NINGBO TECHART MEDICAL EQUIPMENT CO.,LTD

ADD No.99 South Hongtang Road Ningbo China 315033

TEL +86-574-83076915 FAX +86-574-87137656

EMAIL [director@techartmed.com](mailto:director@techartmed.com) [sales01@techartmed.com](mailto:sales01@techartmed.com)  
[saleso2@techartmed.com](mailto:saleso2@techartmed.com) [saleso3@techartmed.com](mailto:saleso3@techartmed.com)



## YOUR IDEAL OPERATING TABLE SUPPLIER

Well Sold For 40 Years Worldwide Meet The Basic Demands Of General Surgery



NINGBO TECHART MEDICAL EQUIPMENT CO.,LTD

# ET600



# ET600 | ELECTRO-HYDRAULIC OPERATING TABLE

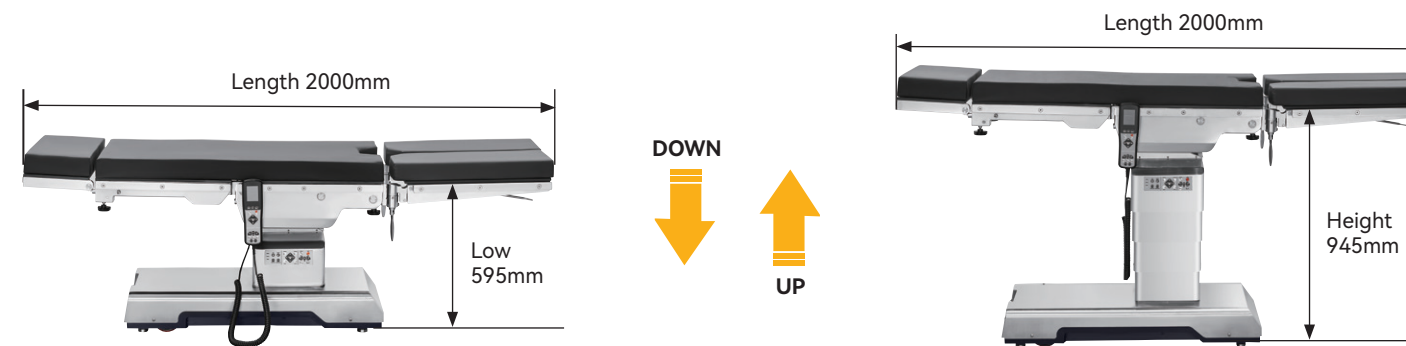
Engineered for increasingly complex surgical scenes, ET600 comes with intelligent automatic control system satisfying various demands of general surgeries. Extra wide tabletop, extreme loading system, long horizontal sliding that can be suitable for both X-ray and C-arm. ET600 is an ideal electro-hydraulic operating table.



## PRODUCT ADVANTAGES

- Longitudinal slide up to 350mm for free access to C arm.
- Extreme weight load capacity of 300kgs with highest safety and stability.
- Memory pad with antistatic, waterproof design.
- Standard override panel control makes the control safer.
- "EASY CLICK" leg plate control by electro-hydraulic and manual. Optional "PLUG IN" type leg plate can interchangeable with head plate.
- Battery power for 50-80 operations.

## OPTIONAL VERSION HEIGHT ADJUSTMENT



## PERSPECTIVE RANGE



## LIFTING AND MOVING FUNCTION

- Leg plate: Imported gas spring for easy controls.
- Leg Plate outward 90°.
- Optional "PLUG IN" Leg plate for simple and quick modle changes.
- Double control system.



Models	Length	Width	Tabletop Lowest Height	Elevation Range
ET600	≥2160mm	550mm	≤690mm	≥400mm
<b>ET600</b>				
Tabletop trendelenburg		Reverse Trendelenburg		≥30°
		Trendelenburg		≥30°
Lateral tilt(Left and Right)				≥20°
Head plate		UP		≥60°
		Down		≥90°
Back plate		UP		≥90°
		Down		≥40°
Leg plate		UP		≥30°
		Down		≥90°
		Outward		≥90°
Kidney bridge elevation				110mm
Horizontal sliding				≥350mm
Flex				≤90°
Reflex				≥220°

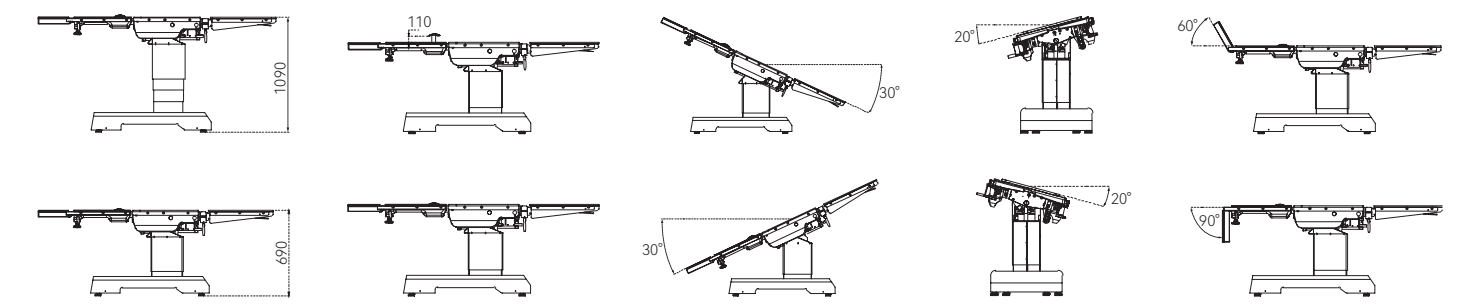


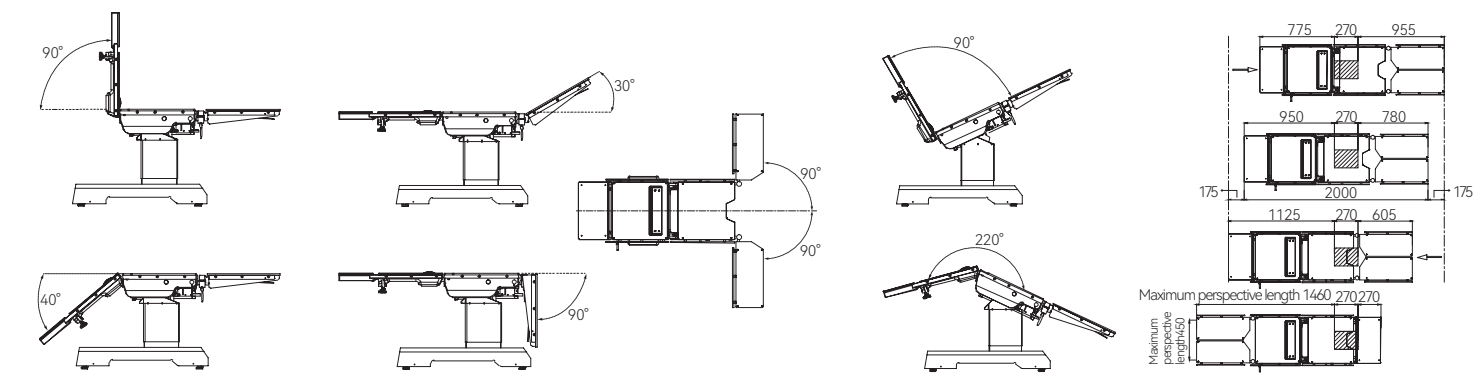
Table Highest Height: 690mm  
Table Lowest Height: 1090mm

Kidney Bridge Up: 110mm

Trendelenburg/Reverse Trendelenburg 30°

Lateral Tilt(Left/Right) 20°

Head Plate (Up) 60°  
Head Plate (Down) 90°



Back Plate(Up): 90°  
Back Plate(Down): 40°

Leg Plate(Up): 30°  
Leg Plate(Down): 90°

Leg Plate Outward 90°

Reflex 90° Flex 220°