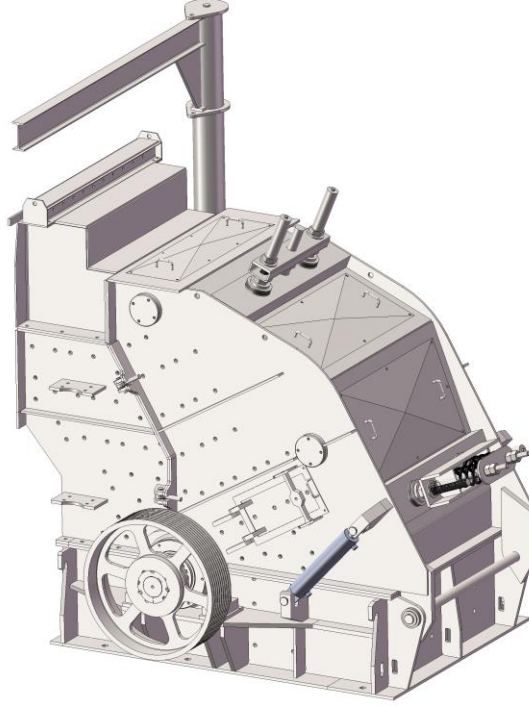


PRIMARY IMPACT CRUSHER



Primary Impact Crushers Technical Specifications

Rotor Diameter x Width	1 200 x 1 000 – 1500 x 2000 (mm)
Feed Opening	1 200 x 800 – 2 000 x 1 500 (mm)
Max. Feed Size	600 - 1200 (mm)
Total Weight	14 000 (kg)
Power	185 – 2x200 (1 500 rpm, 380 V, 50 Hz) (kW)
Max. RPM	400-600 (rpm)
Drive System	Belt-Pulley
Bearings	Heavy Duty 22 000 Serial SKF Brand
Crusher Plates	24 (PCS)
Hammer	4 (PCS)
Capacity	250 - 800 (tph)

SAES DIŐ TİCARET A.Ő.

SECONDARY IMPACT CRUSHER



Secondary Impact Crusher Technical Specifications

Rotor Diameter x Width	1 200 x 1 000 – 1 400 x 2 000 mm
Feed Opening	1 200 x 500 - 2 000 x 600 mm
Max. Feed Size	400 - 500mm
Total Weight	15 500 – 33 000kg
Power	185 – 355 kW
Max. RPM	550 - 650 rpm
Drive System	Belt-Pulley
Bearings	Heavy Duty 22 000 Serial SKF Brand
Crusher Plates	20 Pcs 16-18Mn
Hammer	4 - 12 Pcs 16-18Mn
Capacity	160 - 450 tph

TERTIARY IMPACT CRUSHER



Tertiary Impact Crusher Technical Specifications

Rotor Diameter x Width	1 200 x 1 000 – 1 300 x 1 500 (mm)
Feed Opening	1 000 x 500 – 1 500 x 500 (mm)
Max. Feed Size	200 (mm)
Total Weight	16 000 – 25 500(kg)
Motor Power	185 – 385 kW (1 500 rpm, 380 V, 50 Hz)
Max. RPM	700 - 750 (rpm)
Drive System	Belt-Pulley
Bearings	Heavy Duty 22 000 serial SKF Brand
Crusher Plates	24 - 36(Pcs)
Hammer	4 (Pcs)