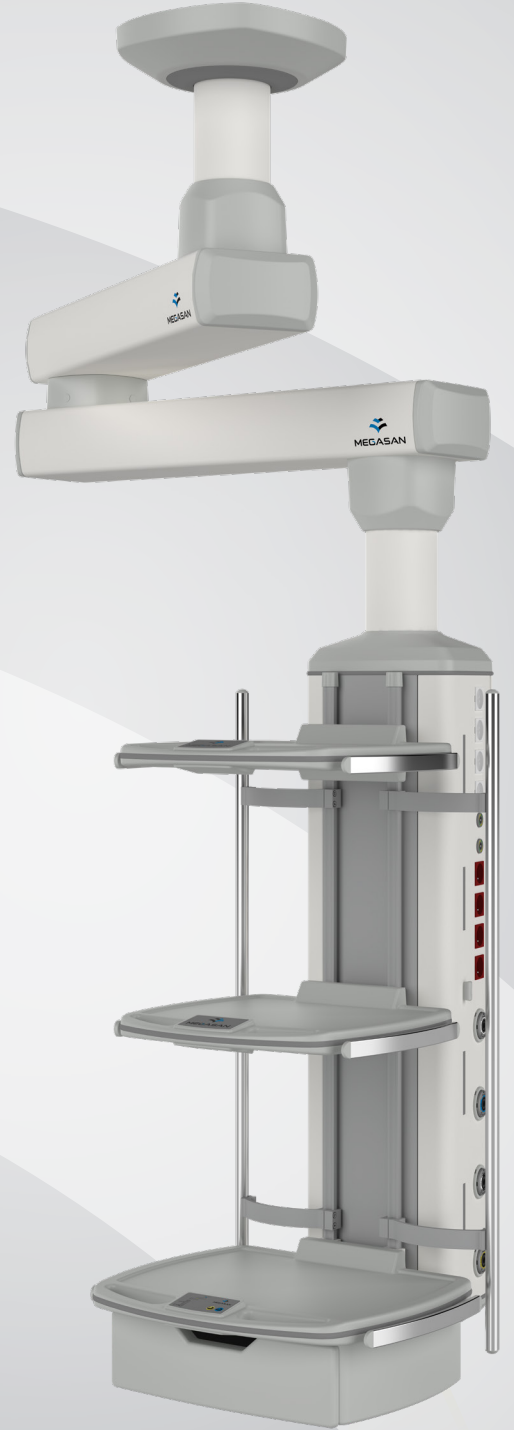




**MEGASAN**



**Pendants**



[www.megasan.com.tr](http://www.megasan.com.tr)



## // MEGASAN Medikal entered the sector in 1981 with assembly and maintenance works and started production in 1998.

It continues its activities in its production facility established on a total area of 70 thousand m<sup>2</sup> with a closed area of 14 thousand m<sup>2</sup>. There is also a showroom in Ankara where the R&D and sales departments are located. Today, **MEGASAN Medikal A. Ş.** is one of the largest medical gas manufacturers in Europe. In addition to pendants in its product range, it produces medical gas plants, area valve service units, medical gas outlets, patient service units, intensive care and emergency service units, gas adapters and medical air plants.

Today, **MEGASAN** has the rightful pride of offering dozens of best quality products and serves in gas installation projecting, installation and maintenance with its modern manufacturing building equipped with sensitive technological devices and equipments, engineers, extremely well-trained technicians, assembly and maintenance personnels. **MEGASAN Medikal**, is proud of its values and determined mind about getting better day by day.

Our aim; By closely following scientific and technological developments and following a policy parallel to the globalization process in the world, we aim to maintain our leading position in our sector and become a more respected company around the world, while also strengthening this leadership.

**Megasan**, has the CE (Conformity of Europe) certificate which is very rare in the medical sector in Turkey, proudly states once again that while providing the best service to all its customers;



*"The quality of our products is our best reference."*

**Product Name:** Double Arm Motorized Pendant-Standard

**Product Code:** MG-PENx-MD-S

They are units that provide all the infrastructure services needed in intensive care departments of hospitals, such as “medical gases, electricity and weak current (data communication)”, necessary services and device connections to the patient in the most comfortable and fastest way. Single-armed or double-armed, with or without a motor. There are various models available.



**Product Name:** Double Arm Motorized Pendant-Standard

**Product Code:** MG-PENx-MD-S

### Intended Use

Placement and spatial positioning of medical devices and accessories used for diagnosis and therapies.

Supply of medical devices powered by electrical energy, medical gases and vacuum.

### Environments of Use

The product is intended for medical environments, in particular emergency rooms, intensive care units and post-operative care units.

### Do not use the device in the following environments

- Areas where the oxygen concentration is above 25 percent by volume, where flammable gas mixtures or explosive gas mixtures may occur.
- Places where magnetic field applications are performed (e.g. magnetic resonance tomography)

### Product Conforming to the following Standards

- |                       |                         |
|-----------------------|-------------------------|
| ✓ EN 62366-1 : 2015   | ✓ EN ISO 15223-1 : 2021 |
| ✓ EN ISO 20417 : 2021 | ✓ EN ISO 11197 : 2019   |
| ✓ EN ISO 14971 : 2020 | ✓ EN 5359 : 2012        |
| ✓ EN 60601-1 : 2009   | ✓ EN 60601-1-2 : 2016   |
| ✓ HTM 02-01           |                         |



## OPTIONAL FEATURES



### High Ceiling Connection Carcass System

Applied for ceiling connections over 3 meters. Provides excellent strength and durability. Resistant against oxidation and corrosion.

### Anaesthesia Device Connection Apparatus

Provides fast and secure connection in cases where the anaesthesia device needs to be upgraded by connecting to the unit.



### Ceiling Connection Flange Gas Electrical Connections

During installation, maintenance and service, gas and electricity can be easily connected and disconnected from the unit at any time.

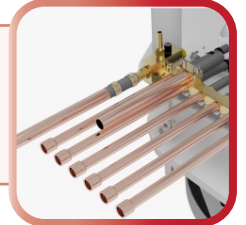


### Wide Body Option

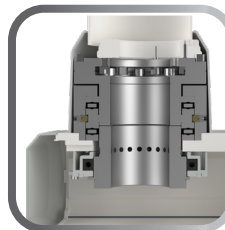
Wide body that can meet more gas and electricity needs.

### Ceiling Gas NIST Connection

Gas-specific connection to prevent incorrect connection of rigid infrastructure pipes labelled with colour-coded flexible connections.



## STANDARD FEATURES



### Aluminum Arms with Pneumatic Brake:

The pendant allows the service head to be positioned in the most suitable way for the working environment and to stand rigidly there, offering 340 degrees of rotation around its own axis.

### High Carrying Capacity

Thanks to its strong roof connection and arm joint mechanisms, it offers a high carrying capacity that can carry every expectation, you can see the carrying capacities in the table of technical data.



### High Lifting Capacity

Thanks to its strong arm and durable motor, it offers a very high lifting capacity and offers 60 cm movement in the vertical axis, you can see the lifting capacities in the table of technical data.



**Product Name:** Double Arm Motorized Pendant-Standard

**Product Code:** MG-PENx-MD-S



**Aluminium Arms with Pneumatic Brake**  
The pendant ensures that the service head is positioned in the most suitable way for the working environment and keeps it there rigidly, it offers 350-degree rotation around its own axis.



**Cable Management System**  
Eliminates cable clutter, eliminates unsightly appearance and minimises the risk of accidents due to cables in emergency situations.

**Easy Service & Maintenance Access**  
The hinged design allows quick access to all solenoid valves and connections positioned in the service head. Prevents repeated opening of ceilings and deterioration of the sterile field.



**Ambient Lighting**  
It is a guiding light that helps healthcare workers to navigate in dark environments without disturbing patients.

**Adjustable Friction Brake Joint**  
It is a guiding light that helps healthcare workers to navigate in dark environments without disturbing patients.



**Fully Insulated Electrical System**  
Electrical sockets attached to the body with flame retardant plastic plugs guarantee that no electrical leakage will pass through the body and that both patients and healthcare workers will not be electrocuted.

**Product Name:** Single Armed Motorized Pendant - Wide Body  
**Product Code:** MG-PENx-MG



**Stainless Steel Infusion Pipes**  
Easy connection for all pumps and related devices thanks to Ø25mm stainless steel infusion pipes.

**High Capacity of Gas and Electricity Connection Points**  
Gas and electrical connection point capacity is available to meet the needs of all work areas. In the table of gas and electrical socket capacity, you can see how many gas and electrical sockets can fit on the pendants.





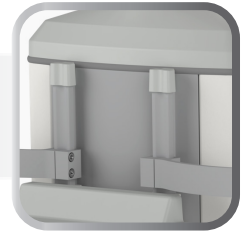
### Height Adjustable Shelves and Drawer

Height adjustable and easy to position 35kg carrying capacity coffee table and 15 kg carrying capacity drawer, 30x10 rails on the sides.

\*\*It has 4 types of drawer options: small (56x47 cm), large (66x49 cm), large single drawer and large double drawer. The interior of the drawer measures 43x35x11 cm.

### Vertical Equipment Rail

2 fixed, 25x10mm vertical equipment rails on the unit, so that the desired accessories can be easily connected.



### Symbol and Color Coded LED Illuminated Control Panel

It is enriched with the shape of the relevant unit, which shows the mode of the working mechanism with a color indicator when the button is pressed.

### Non-Sharp and Easy-To-Clean Surfaces

Ergonomic and functional design minimises injuries in case of bumps and trips. Pendants with minimised surface roughness, plastic patterns and a fine powder coating can be cleaned flawlessly.



### Non-Sharp and Easy-To-Clean Surfaces

Optionally, gas and electrical sockets can be selected according to the required standards.

### Connection Adapters Options

When necessary, it can be opened and access to the ceiling can be provided.



### Ventilation Grilles

Ventilation holes opened to prevent gas traps inside the unit

		Dimensions							
		Height of Arms (mm)	Distance Between Axis (mm)	"Head Height (mm) (Slim)"	"Head Height (mm) (Wide)"	Carrying Capacity	Lifting Capacity	Standard Weight of Configuration	Min. Height of Ceiling
Engine Driven	Single Arm	1215	980	800	600	750 kg	350 kg	192 kg	2600
	Double Arm	1215+1000	1760			800	800	350 kg	200 kg
Engineless	Single Arm	1000	780	1000	800	1000 kg	-	132 kg	2600
	Double Arm	1000+1000	1560	1200	1000	400 kg	-	158 kg	2900
		600	380		1200	1000 kg	-	125 kg	2600
	Rigit	-	-			500 kg	-	67 kg	2000

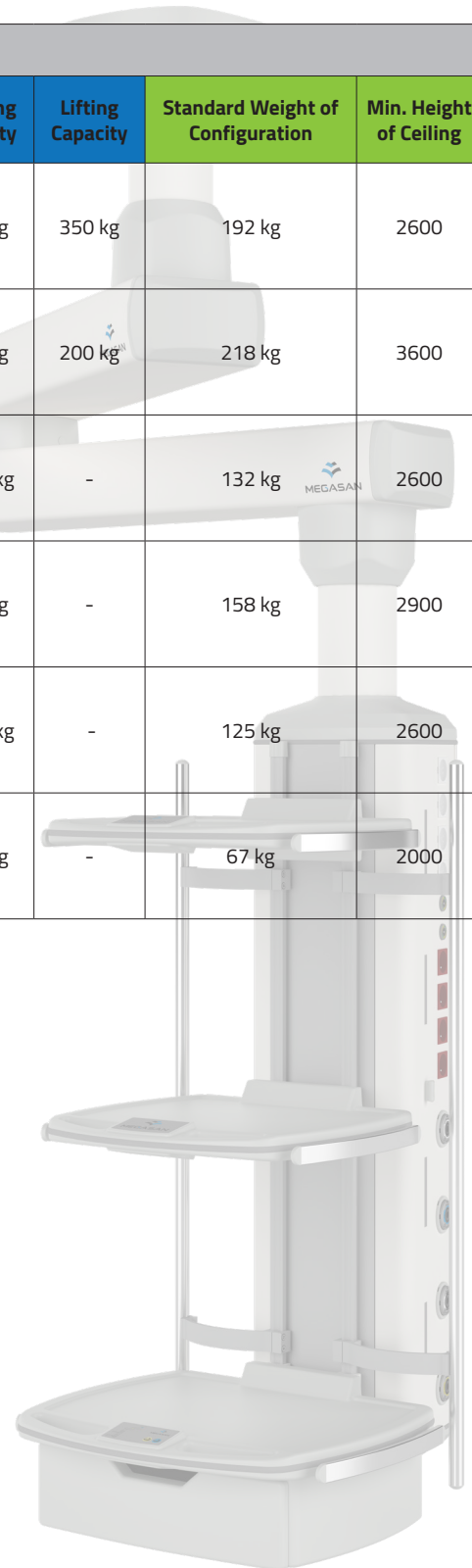
Note: The Horizontal Range for all Rotating Joint Mechanisms is 340 degrees.

Note: All Units' Energy Supply is 220 V 50 Hz.

Note: Pendant Standard Colors are White and Grey.

Types of Head	Head Height(mm)	Quantity of Gas Outlet	Quantity of Electricity Outlet
Slim	800	9	16
	1200	16	20
	1500	18	32
	1800	22	38
Wide	800	14	32
	1200	20	44
		24	56
	1800	30	68

Notes: The number of electricity and gas outlets is given as a maximum number. The number of gas outlets can be increased by reducing the number of electricity outlets; The number of electricity outlets can be increased by reducing the number of gas outlets.



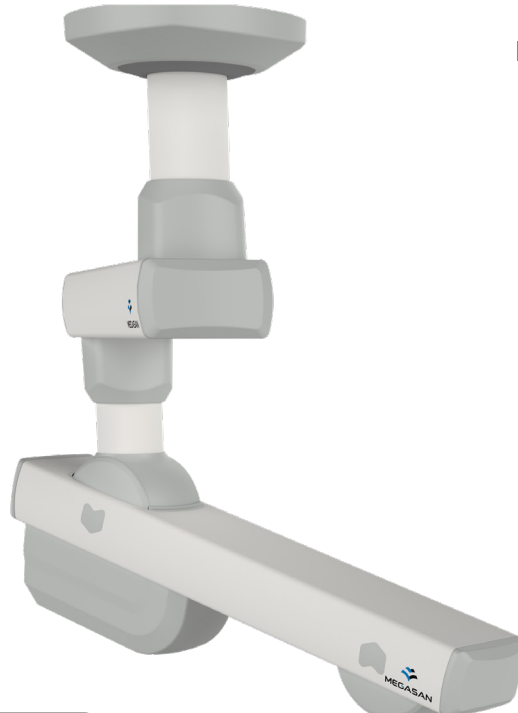
**DOUBLE ARM PENDANT - ANESTHETIC HEAD**

MG-PENx-D-A



**DOUBLE ARM ENGINE DRIVEN PENDANT - STANDARD**

MG-PENx-MD-S



**DOUBLE ARM PENDANT - STANDARD**

MG-PENx-D-S





**ENGINE DRIVEN PENDANT - STANDARD**

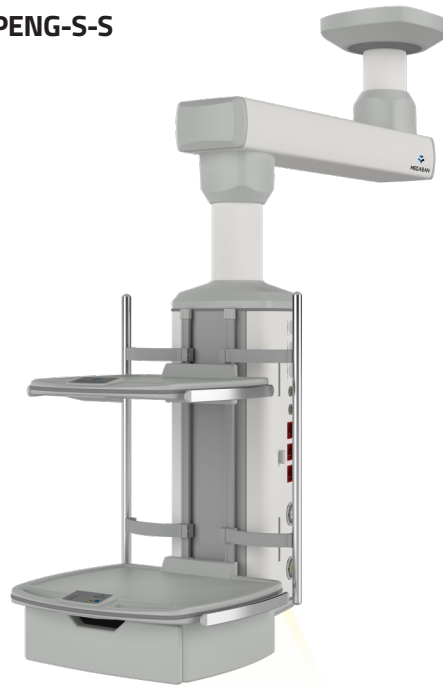


**SINGLE ARM PENDANT - STANDARD**



**SINGLE ARM PENDANT - ANESTHETIC HEAD**

**MG-PENG-S-S**



**RIGID PENDANT - STANDARD**

**MG-PENC-V-S**



**RIGID PENDANT - ANESTHETIC HEAD**

**MG-PENA-V-S**



# HARNESSING THE POWER OF THE SUN FOR A SUSTAINABLE FUTURE!



MEDİKAL GAZ SİSTEMLERİ TIBBİ ALET ve CİHAZLAR A.Ş.

## SHOWROOM

📍 Yenibatu Mah. 24/12/19 06370 Batıkent Ankara-TURKEY

☎ +90 (312) 865 18 18 - 865 18 21 📠 +90 (312) 865 18 22

## HQ

📍 Cumhuriyet Mah. Zafer İş Hanı No:33/411 18100 Merkez/Çankırı-TÜRKİYE

## FACTORY

📍 Dere Mahallesi Sağlık Sokak No:29 18700 Eldivan/ÇANKIRI-Türkiye

☎ +90 (376) 218 10 25 - 218 14 07 📠 +90 (376) 218 12 26

☎ +90 (541) 218 10 25 +90 (533) 323 61 63 +90 (555) 982 48 98

## DISTRIBUTOR

✉ info@megasan.com.tr 🌐 www.megasan.com.tr