

SITON

DW1-31

Face Drilling Rig



DW1-31 Face Drilling Rig

DW1-31 face drilling rig is designed with heavy-duty boom for high loads work. It can be used from small to medium size underground mining drifts, hydropower, road and railway tunnels. The suitable cross-sections (width x height) is from minimum 3.2m x 3.2m to maximum 6.9m x 6.7m.

Woserld Rock Drill

With high pressure and low flow hydraulic system. The Woserld rock drill delivers high penetration rates in hard rock (< F17) and low drilling steel consumption. With the classic double damping design the service life is long and the cost is low. 18kw rock drill is standard, and higher power 22kw rock drill is optional.

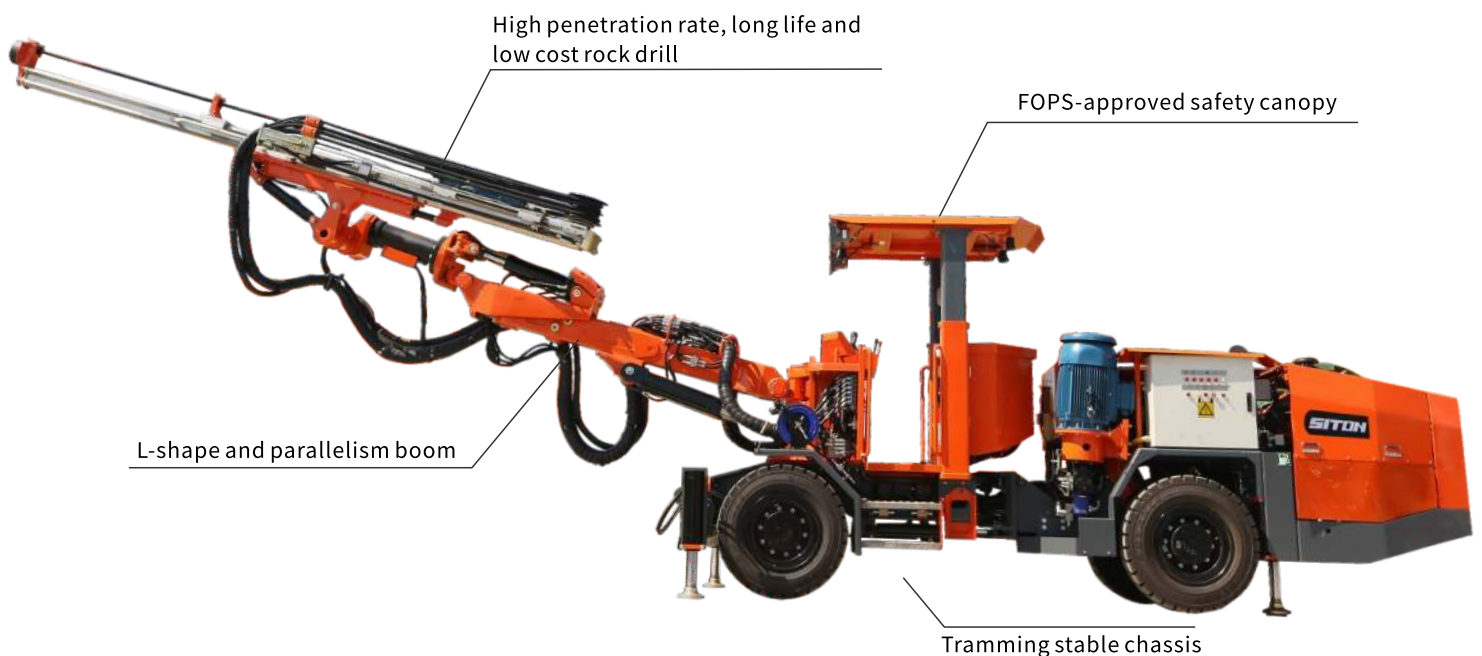


Robust Design

With time-proven and robust design, this rig delivers high reliability with heavy loads. Also the classic direct hydraulic control system makes operating and maintenance easier.

L-shape Boom

The L-shape boom design gives the operator more visual space. Also the parallelism drill boom delivers fast and accurate face drilling.



Note: This picture is for reference only. Different or optional configuration will make it looks different.

Rock drill		
Model	A18D/L	A22L/D
Shank	T38	T38
Hole diameter (mm)	41-76	41-76
Max. Impact power (Kw)	18	22
Impact rate (Hz)	60	53
System pressure (bar)	230	220
Rotation motors	Independent rotation	
Rotation speed (rpm)	0-215	0-130
Max. Rotation Torque (Nm)	1070	1520
Lub. air consump.(L/s)	7	7
Weight (Kg)	170	180
Noise dB(A)	<106	<106
Note: Other models are available		

Feed		
Model	TF14R	TF-12R
Total Length (mm)	6158	5558
Drilling rod length (mm)	4305	3700
Drilling depth(mm)	4000	3400
Weight (including rock drill)(mm)	600	575
Propulsion force (KN)	15	15

Boom

Propelling compensation.....1250mm
 Boom extension.....1500mm
 Parallel holdingAll-directions
 Feed roll-over.....360°
 Scope of work (W*H)..... 6980*6730mm

Control system

Direct hydraulic control system

Function:Anti-jamming

Hydraulic system

Hydraulic pump for impact, positioning and propulsion

Hydraulic pump for rotary oil unloading start

Max system pressure.....230bar

Volume of Hydraulic oil tank.....200L

Low oil level indicator with shutdown function

Oil tank with oil temperature gauge, temperature switch

Filtration accuracy.....10µm

Oil filtration indicator

Stainless steel water cooler for hydraulic oil

Manual oil filling pump

Mineral-based hydraulic oil

Air compressor system

Type.....screw

Motor power.....5.5KW

Maximum displacement.....11.6 L/S

Working pressure.....8bar

Water system

Type.....Booster pump

Motor power.....3KW

Maximum flow.....80 L/min

Maximum working pressure20bar

Electrical system

Total Installed power.....	63.5(55+5.5+3)KW
Main motor power.....	55KW
Voltage.....	380V
Frequency.....	50HZ
Starting method.....	Star /Triangle
Thermal overload protection for electric motors	
Impact timer	
Digital voltage/current meter	
Phase sequence indicator	
Ground fault indicator	
Battery charger	
Transformer.....	1500VA
Electrical cable volume.....	90m

Chassis

Engine.....	Cummins
Rated power.....	53KW
Torque.....	270Nm
Fixed seat	
Articulated steering angle.....	±40°
four-wheel drive	
Hydrostatic Power Steering System	
Hydrostatic transmission	
Front axle.....	DANA112
Rear axle.....	DANA112
Tyre.....	9.00R20
Departure angle.....	17°
Approach angle.....	20°
Front hydraulic Outrigger.....	2pcs (extensible)
Rear hydraulic Outrigger.....	2pcs

Parking braking

Emergency and parking brake

Fuel tank volume.....70L

Electrical system voltage.....12V

Battery.....120Ah

Tramming lights.....8*70W 12V

Brake light

Catalytic converter/silencer

Fire extinguisher

Spirit level

Max. Working gradient.....14°

Traveling speed.....12Km/h

Horns, warning lights and reversing alarms

Optional Part

Ansu automatic fire extinguishing system

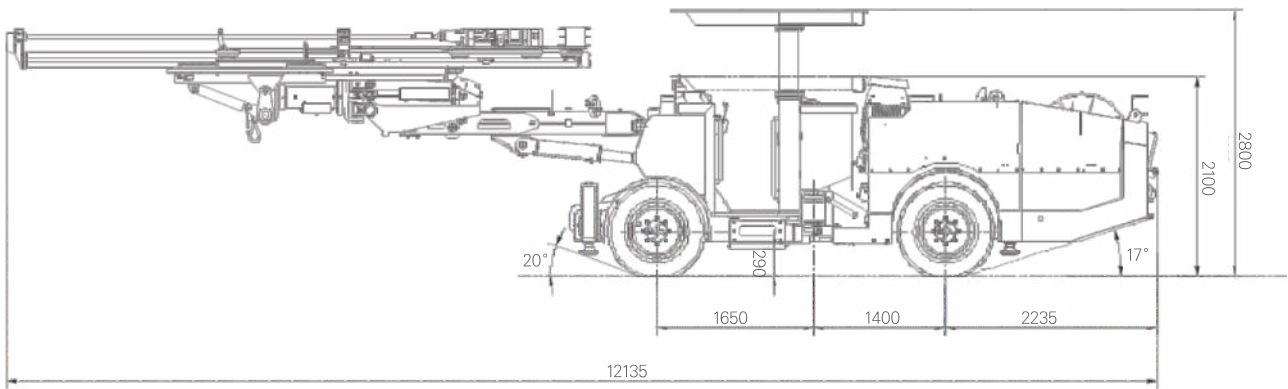
Plateau type for over 3000m high altitude

Telescopic feed

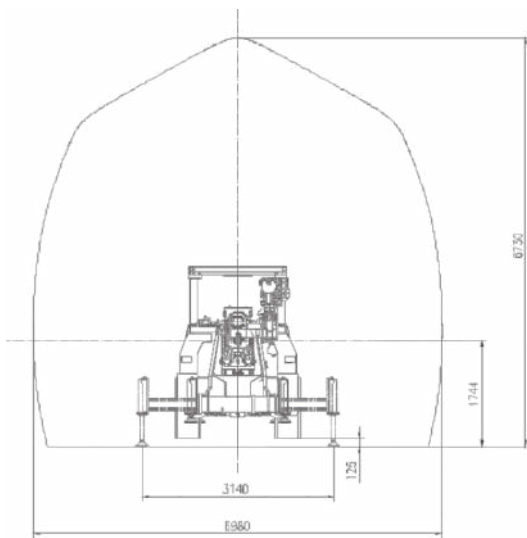
Yanmar diesel engine,56KW

Closed cabin

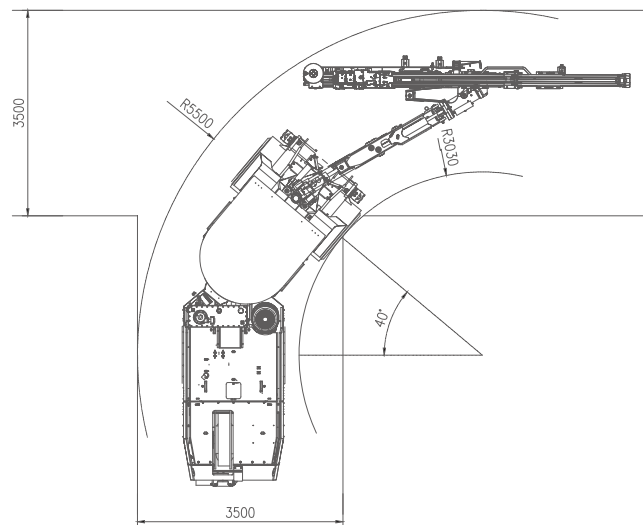
Measurements



Side view



Coverage area



Turning radius

Dimensions	
L*W*H mm	12135*2050/1750*2100/2800
Ground clearance mm	290
Total weight Kg	13200
Turning radius mm	3030/5500
Traveling speed Km/h	12



JIANGXI SITON MACHINERY MANUFACTURING CO., LTD.

Address: North of High-Tech Development Zone, Pingxiang, Jiangxi, P. R. China

Tel: +86 799 3671932

Fax: +86 799 3671922

E-mail: export@sitoncn.com

Website: www.siton-china.com



Siton Machinery