



About Us


An Expert For Your Project's Life Cycle

Our journey started in 2006 with the aim to provide engineering solutions for precious metal industry that will set the industry standards. Today, CH Consultants provides integrated turn-key solutions for ore beneficiation plant projects all around the world.


- | | | |
|---|---|---|
| <p>01. Process Design
Determining the maximum efficient process that will be a reference for all your project cycle.</p> | <p>02. Plant Design
Creating environmentally and user-friendly facility designs with our basic and detailed engineering studies.</p> | <p>03. Manufacturing
Manufacturing critical components for ADR facility; Electrowinning Cell, Regeneration Kiln and Heater Skid.</p> |
| <p>04. Procurement
Managing the procurement activities of all equipment.</p> | <p>05. Construction
Flexible services in construction from turnkey projects to on-site supervision.</p> | <p>06. Project Management
Plan, manage and control the entire project life cycle on behalf of the employer requirements.</p> |

Contact Us

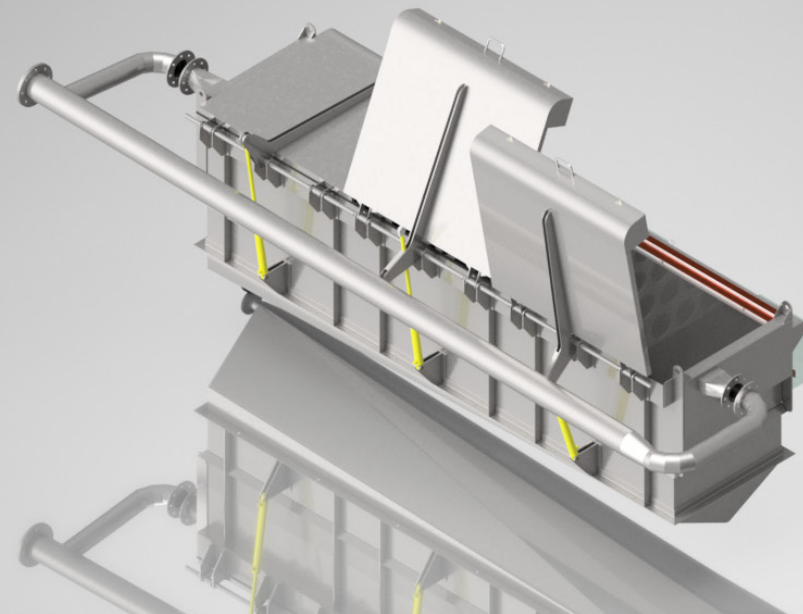
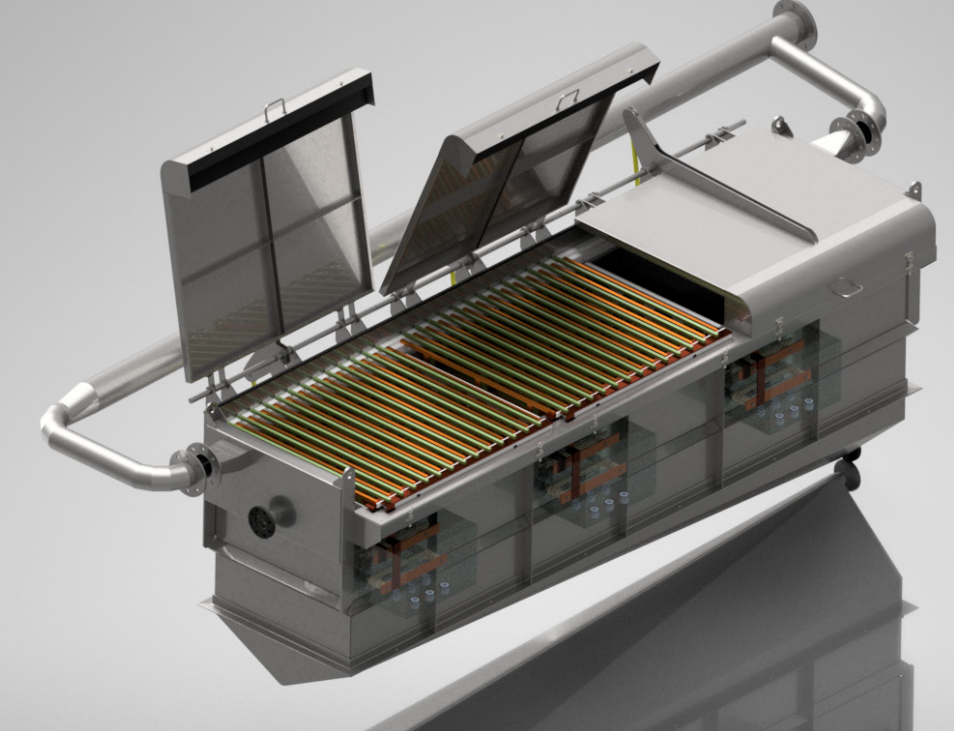
For more information and our special offers you can reach us anytime, anywhere.

 Y. Dikmen Mah. 635 Sok No:3,
06450, Oran /Ankara, TÜRKİYE

 info@chconsultants.com
www.chconsultants.com

 +90 312 490 70 07
+90 312 491 80 70

Please scan the QR code to view equipment in 3D



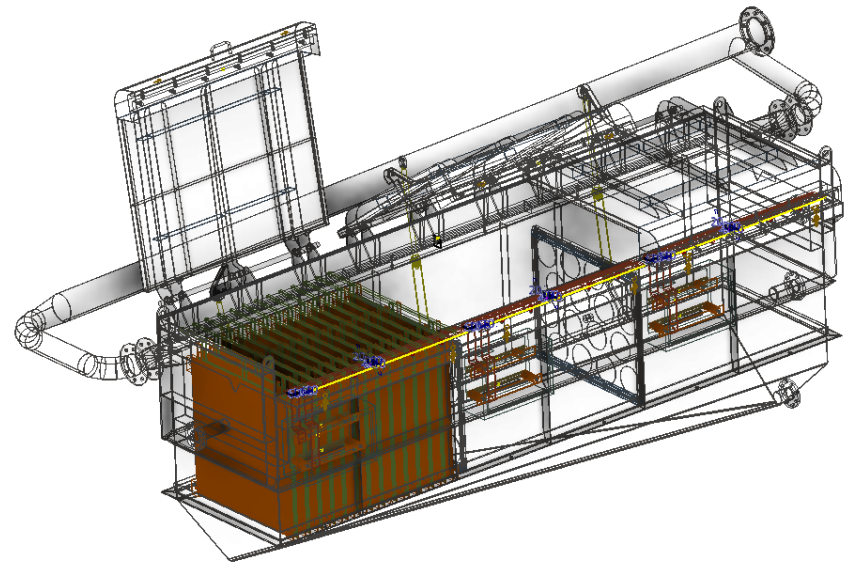
ADR EQUIPMENT SOLUTIONS

CH - Electrowinning Cell®



Consultants

www.chconsultants.com



CH - Electrowinning Cell®

About the Equipment

CH - Electrowinning Cell® enables precious metals such as gold, silver and copper in the electrolytic solution to adhere to the cathode plates. With different material configurations our electrowinning equipment offers solutions for all process methods.

Working Principle

Precious metal ions are stored on the relevant plate with the help of anode and cathode plates arranged in the electrolysis cell. Linear flow in the solution is obtained with separator plates mounted inside the cell. Precious metals accumulated on the cathode plates provide the opportunity to

be washed in the cell without being transferred to another tank. In this way, metal losses during transfer are prevented and a separate tank is not needed for the washing system.



www.chconsultants.com

CH - Electrowinning Cell®

Highlighted Features

CH - Electrowinning Cell® provides separation and retention of precious metals on cathode plates from pregnant solution with the help of electric current.



Integrated Cleaning System

With the integrated cleaning system, the cathode plates are washed in the electrolysis cell without the need for a washing tank. Thanks to the tub under the cell, precious metal losses are prevented.



Hydraulic Cover System

With the hydraulic cover system, personnel can safely open, close and lock with a single button during equipment use and maintenance.



Flexible Design Options

CH - Electrolysis Cell® offers flexible design options with different body materials for all type of processes works.

Maximum Efficiency

For All Type of Processes

- Cables coming from the rectifier are kept minimum with busbar system
- The integrated vapor suction system removes the formed steam in the equipment
- Mercury Retort Unit can easily connected and operated to the electrowinning cell for the processes containing mercury
- All auxiliary equipments required in precious metal process available under a single package option

