

SHANGHAI
BOJIN-MEDICAL
Surgical Power Tools
Products Catalog



BJZ-1
BJ4303B
Dual function canulate drill
For trauma operation

www.bojin-medical.com



SYSTEM 4300

- Separate battery design.
- Sealed battery sterilization container.
- Temperature control switch.
- Ergonomic design.
- Light weight hand piece.



BJ43001
Battery



BJ43002
Charger



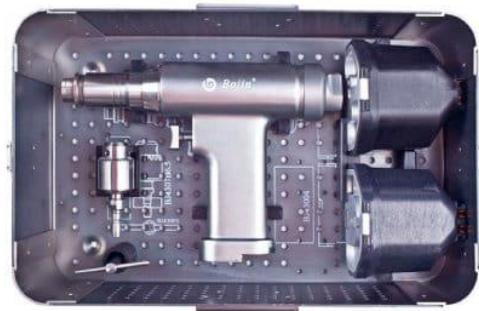
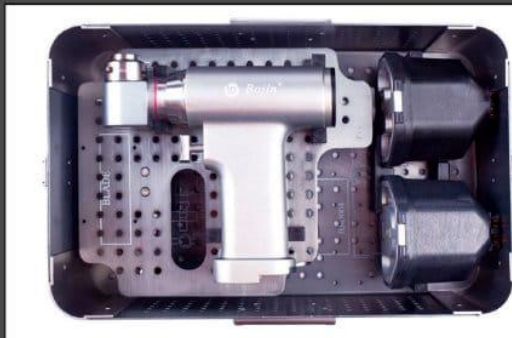
BJ43003
Battery
sterilization
container



BJ43004
Aseptic
transfer kit



BJ43002-4B
Multi-function
charger



Double-layer sterile case

SYSTEM 1400

- High quality, excellent performance.
- Perfect made, portable, low noise.
- Stable power, easily operating.
- Portable and lightweight variable speed.
- 135°C autoclavable.



**BJJ-1
BJ1401**
Sagittal saw
For joint operation

**BJJ-1
BJ1402**
Bone drill
For trauma operation

**BJZ-1
BJ1403B**
Dual function
canulate drill
For trauma operation



**BJ1107B1
BJ1107D1**
[Φ36-Φ64]
Acetabulum
reamer

BJ1107B1T/BJ1107D1T Detachable and lengthened

BJ14002
Charger

BJ14001
Battery

BJ1005
Key

BJ14004
Aseptic
transfer kit

**BJZ-1
BJ1407B**
Dual function
acetabulum reaming drill
For joint operation

SYSTEM 1000

- Portable and lightweight, durable.
- Variable speed, convenient.
- High coaxiality, low noise.
- Motor imported from Germany, more powerful.
- 135°C autoclavable.



BJJ-1
BJ1101
Sagittal saw
For joint operation



BJZ-1
BJ1102
Bone drill
For trauma operation



BJZ-1
BJ1102A
Dual function
bone drill
For trauma operation



BJZ-1
BJ1102SAO
Ao drill
For trauma operation



BJZ-1
BJ1103B/D
Dual function
canulate drill
For trauma operation

SYSTEM 1000 Surgical Power Tool

BJZ-1
BJ1104
Cranial drill
For cranial operation



BJZ-1
BJ1105
Cranial bur
For cranial operation



BJZ-1
BJ1107B/D
Dual function
acetabulum reaming drill
For joint operation



BJJ-1
BJ1108
Overhaul saw
For second time
thoracic operation



BJ1001
Battery



BJ1002
Charger



BJ1003
Lid



BJ1004
Aseptic
transfer kit



BJ1005
Key



BJ1002-4
Multi-function
charger

BJZ-1
BJ1103
Canulate drill
For trauma operation



BJJ-1
BJ1106
Sternum saw
For joint operation



BJJ-1
BJ1109
Reciprocating saw
For joint operation



SYSTEM 4000

- Ergonomic design.
- New motor imported from Germany with strong and stable output.
- The main components are made of high-strength stainless steel.
- High proper alignment, low noise.
- 155°C autoclavable.



BJJ-1
BJ4101
Sagittal saw
For joint operation

BJZ-1
BJ4102
Bone drill
For trauma operation



BJZ-1
BJ4102A
Dual function
bone drill
For trauma operation

BJZ-1
BJ4102SAO
AO drill
For trauma operation

BJZ-1
BJ4103B/D
Dual function
canulate drill
For trauma operation

SYSTEM 4000 Surgical Power Tool



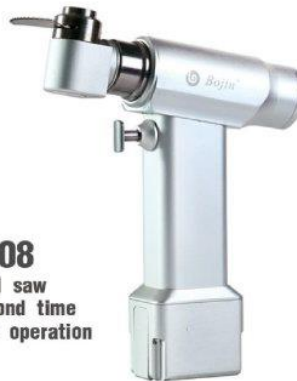
BJZ-1
BJ4104
Cranial drill
For cranial operation



BJZ-1
BJ4105
Cranial bur
For cranial operation



BJZ-1
BJ4107B/D
Dual function
acetabulum reaming drill
For joint operation



BJJ-1
BJ4108
Overhaul saw
For second time
thoracic operation

BJ4001
Battery



BJ1002
Charger



BJ4003
Lid



BJ4004
Aseptic
transfer kit



BJ1005
Key



BJZ-1
BJ4103
Canulate drill
For trauma operation



BJJ-1
BJ4106
Sternum saw
For joint operation



BJJ-1
BJ4109
Reciprocating saw
For joint operation

SYSTEM 6000

- Excellent torque for prosthesis replacement surgery.
- Motor imported from Germany, can provide the best speed and power.
- Optional external power supply system.
- Multi-function: 155°C autoclavable, single-function: 135°C autoclavable.
- Single and multi-function mode for your selection.



BJ6200 Multi-function handpiece

- BJ6201 Sagittal saw attachment
- BJ6203 Canulate drill attachment
- BJ6207B Acetabulum reaming drill attachment

- BJ6006**
Power console
- BJ6007**
Connection wire



SYSTEM 8000

- Mini handpiece, suitable for hand and foot surgery.
- Enhanced configuration-specific micromotor imported from Germany.
- Saw blades can be assembled and disassembled easily by quick locking device.
- Very low noise, provides a quiet surroundings for surgery.
- Multi-function: 155°C autoclavable, single-function: 135°C autoclavable.



SYSTEM 2000

- Handpiece can drive a variety of quick attachment.
- Attachment can be assembled and disassembled easily.
- 360° rotating.
- The main components are made of high-strength stainless steel.
- 135°C autoclavable.



BJJZ-1 BJ2100

Multi-function handpiece
 BJ2101 Sagittal saw attachment
 BJ2101S Sagittal saw attachment
 BJ2102 Bone drill attachment
 BJ2102SAO Ao drill attachment
 BJ2103 Canulate drill attachment
 BJ2103B Canulate drill attachment
 BJ2103D Canulate drill attachment
 BJ2104 Cranial drill attachment

BJ2105 Cranial bur attachment
 BJ2106 Sternum saw attachment
 BJ2107 Acetabulum reaming drill attachment
 BJ2107B Acetabulum reaming drill attachment
 BJ2107D Acetabulum reaming drill attachment
 BJ2109 Reciprocating saw attachment
 BJ2110[1.5NM] Torque limiter attachment
 BJ2111[4NM] Torque limiter attachment
 BJ2112 TPLO attachment



SYSTEM 4200

- Ergonomic design.
- New motor imported from Germany with strong and stable output.
- The main components are made of high-strength stainless steel.
- High proper alignment, low-noise.
- 155°C autoclavable.



BJJZ-1 BJ4200

Multi-function handpiece
 BJ4201 Sagittal saw attachment
 BJ4202 Bone drill attachment
 BJ4203B Canulate drill attachment
 BJ4203D Canulate drill attachment

BJ4207B Acetabulum reaming drill attachment
 BJ4207D Acetabulum reaming drill attachment
 BJ4202SAO Ao drill attachment
 BJ4213A K-wire drill attachment
 BJ4213B K-wire drill attachment

Main Accessories



BJ4001
Battery



BJ1002
Charger



BJ4003
Lid



BJ4004
Aseptic transfer kit



BJ1005
Key

Portable X-ray Fluoroscopy Instrument

- High gain, high sensitivity, and high resolution image intensifier, offer you newer visual feeling.
- Can work at any time without the darkroom and protecting.
- Low radiation dose, reliable protection simple structure, small volume and light weight, both can be handheld and used on the table, it's very convenient to handle.
- Can connect with monitor and computer.



BJI-1
BJI-1J2



BJI-1 can connect with computer, save image and video.

Application:

- It's a necessary tool for the surgeon, no matter where the surgeon is, both in the hospital and go one's rounds, or emergency treatment, wardround, repeat examination during operation, thanks to the small volume and lightweight, makes working with easy-to-use control. It also plays an important assistant role and provide great efficiency in fracture application:fusion, fixing, thread a needle, pick out foreign objective, especially install intramedullary nail and fix supporting equipment.
- X-ray inspection for infant; check the women's birth control ring.
- The wounded treatment in sporting field, construction site, ocean-going vessel, remote area and army training locale.
- Widely used in scientific research, experiment, engineering, educational and scientific equipment.
- Veterinary use.
- Safety inspection in ariport; post inspection.
- Industrial crack detection.

Portable X-ray Fluoroscopy Instrument



**BJI-1
BJI-1J**



**BJI-1
BJI-1P**



**BJI-1
BJI-1V**

Field of vision	Φ50-100mm
Screen Brightness	>20cd/m ²
Leaking ray	<2.58X10 ⁻⁵ C>Kg ⁻¹ H ⁻¹
Scattered ray	<1.29X10 ⁻⁵ C>Kg ⁻¹ H ⁻¹
Power supply	AC110-250 50Hz or 12V
Imaging resolution	50 LP/cm
Contrast	<4%
Grey scales	7

Type	Maxi objective thickness	Current	Tube voltage	Power consumption
BJI-1Z	180mm	0.1mA	55KV	35VA
BJI-1Y	200mm	0.05mA	60KV	40VA
BJI-1X	280mm	0.2mA	65KV	45VA
BJI-1W	240mm	0.05mA	65KV	40VA
BJI-1V	280mm	0.5mA	80KV	55VA
BJI-1P	140mm	0.15mA	60KV	50VA
BJI-1J	300mm	0.5mA	80KV	70VA
BJI-1J2	300mm	0.5mA	80KV	70VA

SYSTEM 3000

- Microtype surgical power tools
- Various functions, a wide range of applications.
- Attachments can be assembled and disassembled rapidly.
- Strong power, easily operating.
- 135°C autoclavable.



BJWJZ-1
BJ3001
Power console [BJ3100 NA]

BJ3202 Straight attachment
BJ3203 Angled attachment
BJ3205 High-speed milling attachment
BJ3309 Reciprocating saw attachment
BJ3301 Sagittal saw attachment
BJ3002 Pedal switch

BJWJZ-1
BJ3300
High-torque electric handpiece

BJWJZ-1
BJ3200
Electric handpiece

BJWJZ-1
BJ3100
Air handpiece

BJK Fracture Therapeutic Instrument

- Treating object under the splint&plaster fixing or outside fixing situation.
- Automatic adjust with electromagnetic field by frequency and amplitude modulation the treatment with the living character.
- Priest focal electromagnetic design enhances the efficiency.
- Digitally control, easily operating safe and reliable, without side-effect.
- Alternating electromagnetic field frequency and intensity of sub-file selection, for the purpose of the needs of different treatment.



BJK-2

Application:

- Defumescence, diminish inflammation and ease.
- Treat the indolence of the bone, bone break, patella intenerate, arthrosis and parenchyma scathing.
- Obviously improve the symptom of thighbone putrescence for lacking of blood.
- Accelerate the growth of the bone and concrescence of the bone.

Medical Tools

- High-strength stainless steel ensures intraoperative safety.
- The numerous choices in blade thickness and style allows the surgeon to tailor the equipment to the specific surgical needs, resulting in a more accurate and efficient procedure.
- Specially designed tooth pattern on the saw blades ensure minimum contact pressure to achieve great accuracy, reduce heat buildup, and thus minimize the risk of osteonecrosis.



BJ11021 Twist drill bit(Φ2-Φ4.5)
 BJ41021SAO AO Twist drill bit(Φ2-Φ4.5)
 BJ1107B1L/D1L Reamer shaft
 BJ1107B1/D1 Acetabulum reamer(Φ36-Φ64)
 TPLO(R=12-30mm)

Bojin cutting tool applications

- Orthopaedic / Trauma
 - Osteotomy saw blade
 - Knee joint saw blade
 - Twist drill bit
 - Medullary reamer
 - Acetabulum reamer
- Spine Surgery / Neurosurgery
 - Cutting drill bit
 - Diamond drill bit
 - Cranial milling
- Maxillofacial Surgery
 - Cutting drill bit
 - Diamond drill bit
 - Micro saw blade

Saw blades



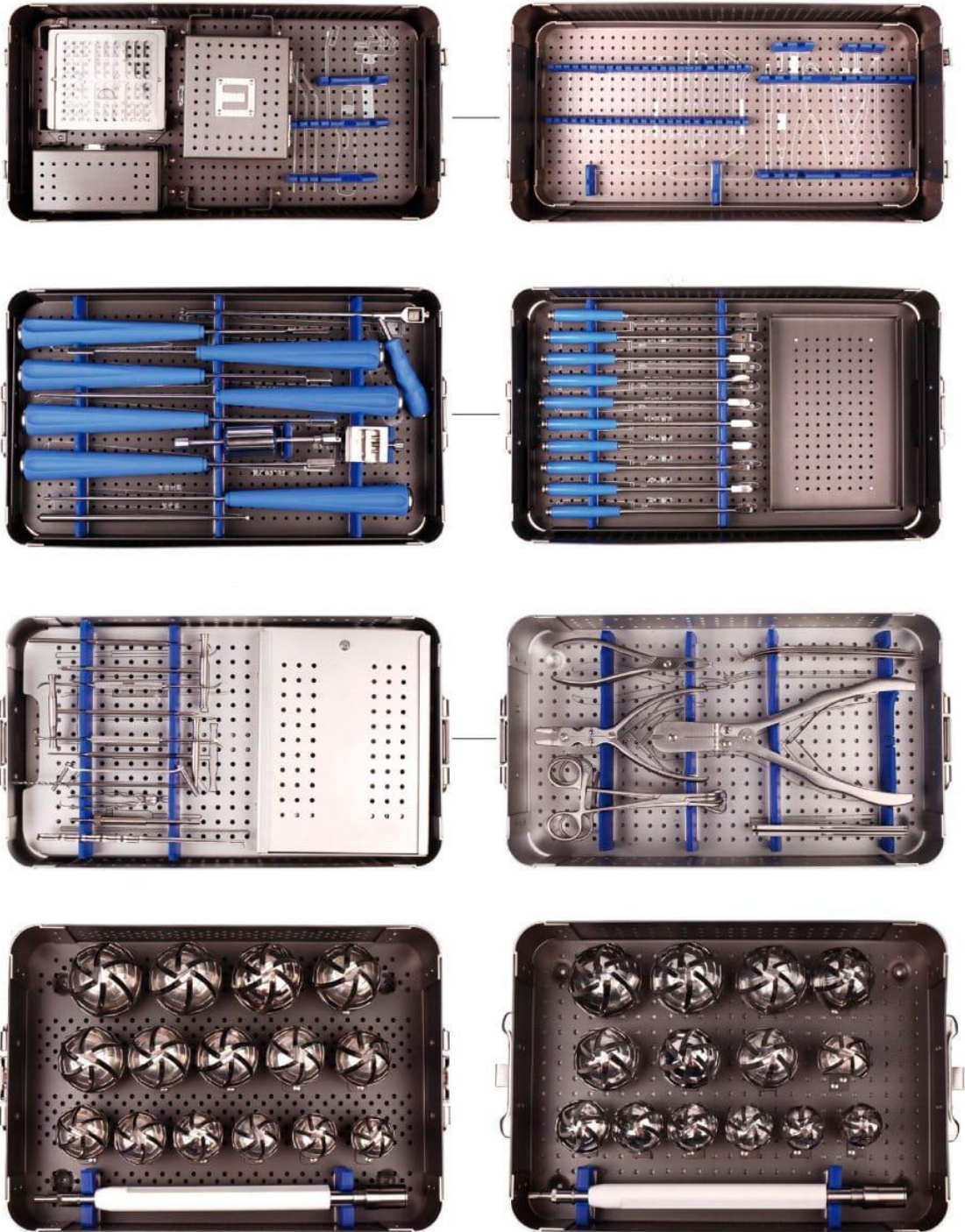
L(mm)	35	37	41/45
W(mm)	9.5	8	9.5/10/14
H(mm)	0.5	0.8	0.5/1.0

L(mm)	50/55/60	70/80	90
W(mm)	10/13.5/16/20	13/14/20/21/22/24/34	13/14/18/19/22/24/25
H(mm)	0.5/0.8/1.0	0.8/1.0/1.2/1.27	0.8/1.0/1.2/1.27

L(mm)	100	110	115
W(mm)	24/25	24	18/22
H(mm)	1.2/1.27	1.2/1.27	1.2/1.27



Orthopaedic Instrument



BJXDH Sterilized Case



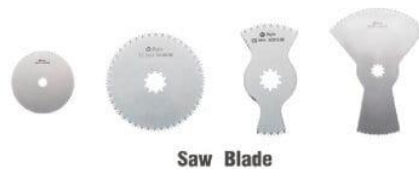
The sterilized case can be sterilized with complete unit except battery.
All system power tools can be packed with sterilized case.

Medical Electric Plaster Cutting Saw

SGJ-1
BJ1201S



SGJ-1
BJ1201



ISO 9001
ISO 13485



SHANGHAI BOJIN MEDICAL INSTRUMENT CO.,LTD.

Company address:Room 606-607,No3388,Gonghexin Road,Shanghai,China
Factory address:1-D,2-A,No125,Longpan Road, Jiading District,Shanghai,China
Tel:+86-21-66308078/66526503
Fax:+86-21-66527103
Post code:200436
Web:www.bojin-medical.com

