

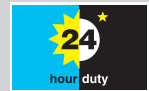
530SN/R, 530UN/R, 530DuN/R, 530S/R, 530U/R, 530Du/R
pumps fitted with 520R pumphead for 1.6mm wall tubing

500 series

Watson-Marlow Pumps

FEATURES AND BENEFITS

- Colour display and intuitive menu structures provide visual status indication and minimal key presses
- Flow rates from 0.004 ml/min (0.00006 USGPH) to 2.4 L/min (38.04 USGPH)
- 520R twin sprung roller pumphead for 1.6mm wall tubing
- 2200:1 speed control range from 0.1 to 220rpm in 0.1rpm increments
- Keypad incorporates 3-level security PIN lock
- IP31 (NEMA 2) and IP66 (NEMA 4X) cased pumps
- Dual voltage, 115V/230V 50/60Hz



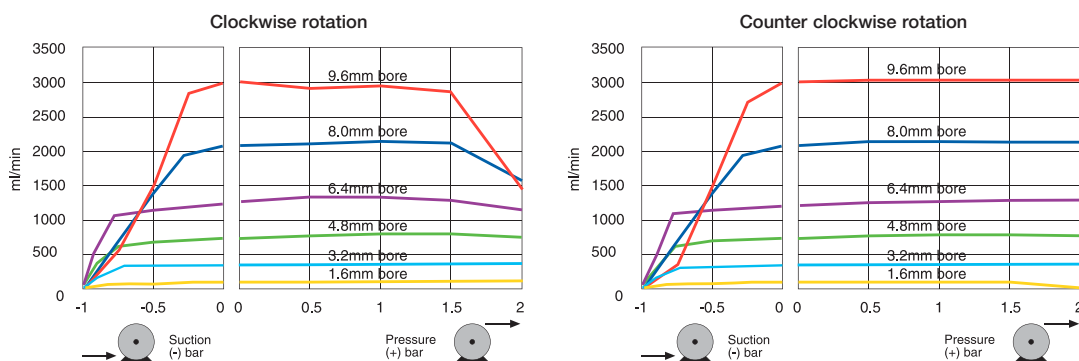
Watson-Marlow... Innovation in Full Flow

TECHNICAL DATA

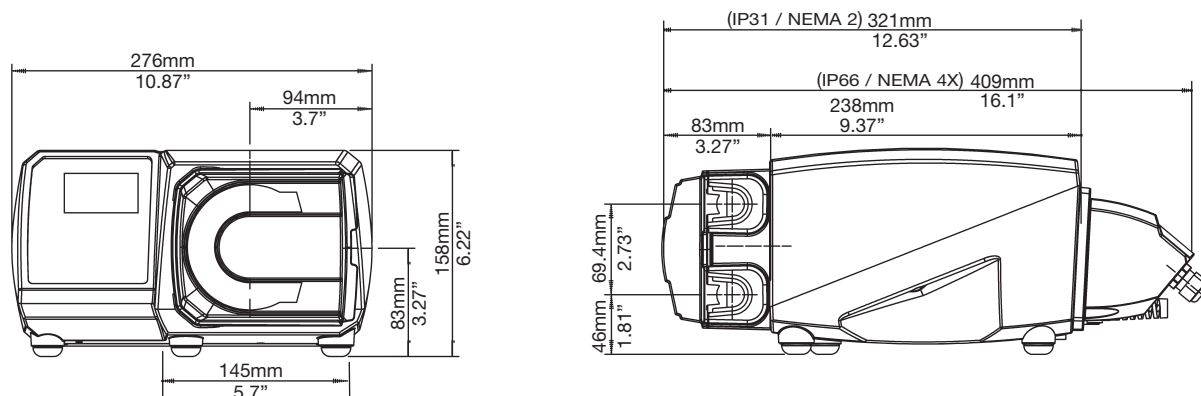
Pump drives	530SN	530UN	530DuN	530S	530U	530Du
Manual control						
Intuitive keypad and colour display	•	•	•	•	•	•
Choice of flowrate or speed display	•	•	•	•	•	•
Full calibration with choice of flow units	•	•	•	•	•	•
Remote control						
Configurable Start/Stop, leak detector and pressure switch input (via contact closure or 5V TTL or 24V industrial logic)		•	•		•	•
Direction change and auto/manual toggle input (via contact closure or 5V TTL or 24V industrial logic)		•	•		•	•
Remote operation of MemoDose (foot/hand-switch or logic input)		•	•		•	•
Four configurable digital status outputs through 24V, 30W relays		•	•			
Software configurable IP31 outputs					•	•
Analogue speed control						
Fully configurable inputs; 0-10V or 4-20mA		•	•		•	•
Analogue outputs; 0-10V, 4-20mA		•	•		•	•
Keypad/analogue input scaling (replacement of diaphragm pumps)			•			•
Tacho frequency output; 0-991Hz		•	•		•	•
Digital communication						
RS485 network control			•			
RS232 network control						•
Security						
3-level Security PIN lock	•	•	•	•	•	•

PERFORMANCE

Tube bore and flow rates (ml/min)	Speed	0.5mm	1.6mm	3.2mm	4.8mm	6.4mm	8.0mm
Pumpsil®, GORE® STA-PURE® Pump Tubing – Series PCS, GORE® STA-PURE® Pump Tubing – Series PFL, Neoprene	0.1 to 220rpm	0.004-9.5	0.04-97	0.18-390	0.40-870	0.70-1500	1.1-2400
Marpren®e®, Biopren®e®, PureWeld XL®	0.1 to 220rpm	0.004-9.0	0.04-92	0.17-370	0.38-830	0.67-1500	1.1-2300



DIMENSIONS



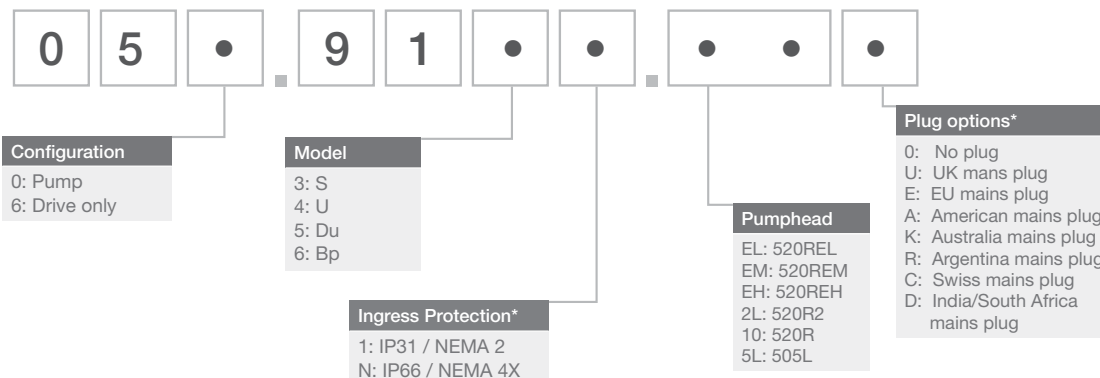
TECHNICAL SPECIFICATION

	530SN, 530UN, 530DuN	530S, 530U, 530Du
Ingress rating	IP66 / NEMA 4X	IP31 / NEMA 2
Enclosure	Watertight/dustproof	Wipe-down
Suitability	Corrosion-resistant for heavy industrial environments	Dry industrial environments with non-corrosive atmosphere
Humidity	(Non-condensing) 80% to 31C, 88F, decreasing linearly to 50% at 40C, 104F	(Non-condensing) 80% to 31C, 88F, decreasing linearly to 50% at 40C, 104F
Temperature	5C to 40C (40F to 104F)	5C to 40C (40F to 104F)
Pump weight	10.7kg (23lb 9oz)	9.82kg (21lb 10oz)
Speed control ratio	2200:1	2200:1
Torque rating	2.2Nm, continuous duty	2.2Nm, continuous duty
Noise	<70dB(A) at 1m	<70dB(A) at 1m
Standard	CE, cETLus	CE, cETLus
Power supply	115/230V 1ph 50/60Hz 135VA	

MATERIALS OF CONSTRUCTION

Component	Material
Keypad	Polyester
Switch-plate	Glass filled ABS plastic
Rear blanking plate	Stainless steel 304
Drive casework	Pressure die-cast aluminium LM24
Case work coating	Alocrom pre-treatment, exterior grade polyester powder coat
Drive shaft	Electroless nickel plated carbon steel
Pumphead track	PPS (polyphenylene sulphide)
Guard	Polycarbonate
Rotor hub	Stainless steel 316
Roller arms, rotor	PPS (polyphenylene sulphide)
Rollers – main/guide	Stainless steel 316/Nylatron
Main roller bearings	Stainless steel with PTFE seals
Drain plug	Hytrel

ORDER INFORMATION



*IP66 / NEMA 4X pumps are supplied with no plug or an American mains plug

Tubing 1.6mm wall thickness tubing for 520R						
Tube bore	Tube	Pumpsil®	PureWeld XL®	Bioprene	STA-PURE® PCS	STA-PURE® PFL
0.5mm (1/50in)	112	913.A005.016	941.0005.016	933.0005.016		
0.8mm (1/32in)	13	913.A008.016	941.0008.016	933.0008.016		
1.6mm (1/16in)	14	913.A016.016	941.0016.016	933.0016.016	960.0016.016	965.0016.016
3.2mm (1/8in)	16	913.A032.016	941.0032.016	933.0032.016	960.0032.016	965.0032.016
4.8mm (3/16in)	25	913.A048.016	941.0048.016	933.0048.016	960.0048.016	965.0048.016
6.4mm (1/4in)	17	913.A064.016	941.0064.016	933.0064.016	960.0064.016	965.0064.016
8.0mm (5/16in)	18	913.A080.016	941.0800.016	933.0080.016	960.0080.016	965.0080.016
Tube bore	Tube	Marprene®	Neoprene			
0.5mm (1/50in)	112	902.0005.016	920.0005.016			
0.8mm (1/32in)	13	902.0008.016	920.0008.016			
1.6mm (1/16in)	14	902.0016.016	920.0016.016			
3.2mm (1/8in)	16	902.0032.016	920.0032.016			
4.8mm (3/16in)	25	902.0048.016	920.0048.016			
6.4mm (1/4in)	17	902.0064.016	920.0064.016			
8.0mm (5/16in)	18	902.0080.016	920.0080.016			

All flow rates shown were obtained pumping water at 20C (68F) with zero suction and delivery heads. Watson-Marlow, Pumpsil, PureWeld XL, Bioprene and Marprene are trademarks of Watson-Marlow Limited. Disclaimer: The information contained in this document is believed to be correct but Watson-Marlow Limited accepts no liability for any errors it contains, and reserves the right to alter specifications without notice. GORE and STA-PURE are trademarks of W. L. Gore & Associates. Please state the product code when ordering pumps and tubing.

**WATSON
MARLOW
Pumps**

wmftg.com
info@wmftg.com
+44 (0) 1326 370370