

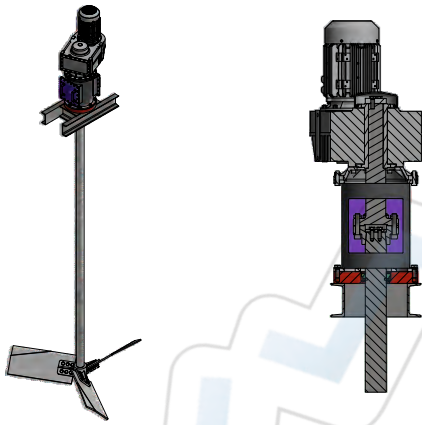
**MİYAY
AGITATORS
MPS-AG**

MPS-AG AGITATORS

MPS-AG MİYAY agitators are used in process and reactor tanks in mining, chemical, food processing industry applications. These gear agitators include top, bottom and side inlet configurations. The drive mechanism is specifically designed to optimize mixing by systems and a wide variety of impellers. Small agitators are also available, both with direct drive and with gear reducers, for standard smaller scale applications.

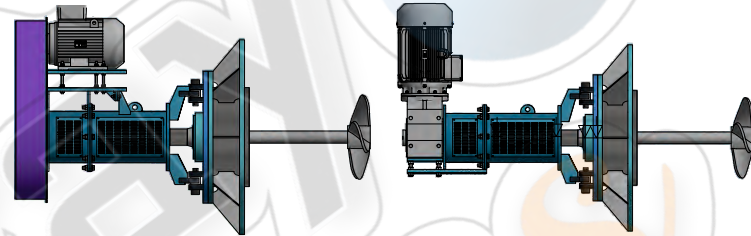
COMPACT SERIES

Motor Power	0,37 - 55 kW
Shaft Diameter	40 - 125 mm



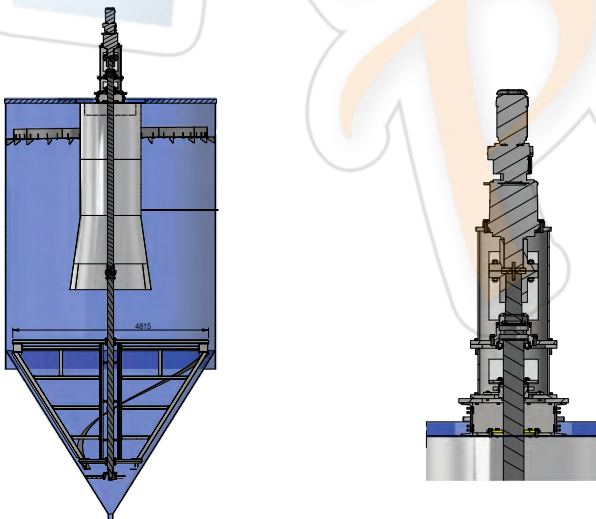
SIDE ENTRY SERIES

Motor Power	4 - 90 kW
Shaft Diameter	40 - 125 mm



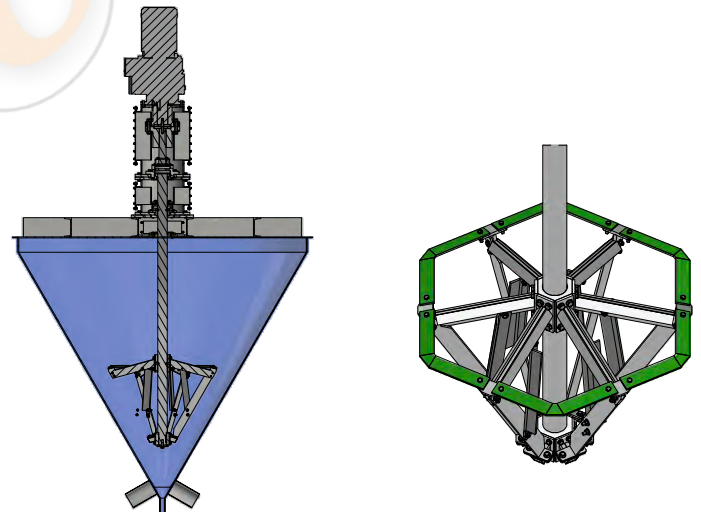
INDUSTRIAL SERIES

Motor Power	5,5 - 750 kW
Shaft Diameter	60 - 300 mm



REACTOR SERIES

Motor Power	5,5 - 300 kW
Shaft Diameter	60 - 280 mm



MPS-AG AGITATORS

CATALOG PRODUCT CODE

MPS-AG- 600 -CJT4

MİYAY
EQUIPMENTS

AGITATOR

MIXING
DIAMETER

BLADE TYPE

MIXER TYPE

You can use the selection tables below to choose the agitator that is right for you. Features of the agitator are available in the tables.

BLADE TYPE	CODE	DIAMETER	MIXER TYPE	CODE
JET IMPELLER	JT4	500	COMPACT	C
TWISTED BLADE TYPE	BB3	600	INDUSTRIAL	E
CURVED BLADE TYPE	BC3	800	SIDE ENTRY	S
PARABOLIC IMPELLER	PB6	1000	REACTOR	R
BOLT PROPELLER	BY3	1250		
HELISEL TYPE	HR2	1500		
PROPELLER	MP3	2000		
SHEAR TYPE	BS4	2250		
ANKRAJ TYPE	AP2	2500		

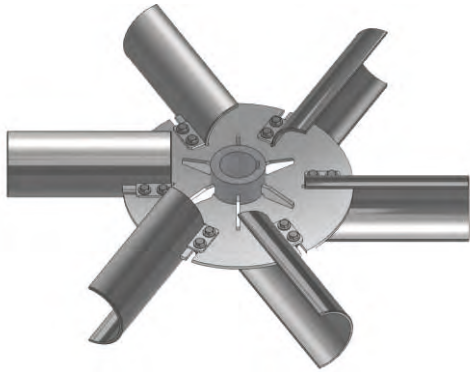
MİYAY AGITATORS



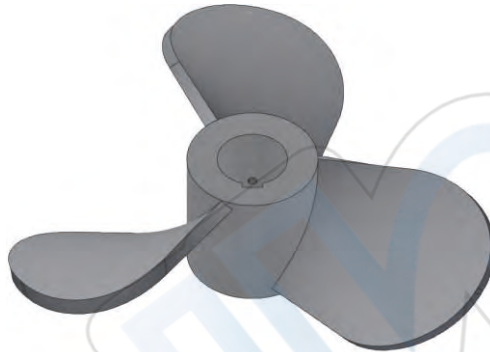
*Miyay Agitators

MPS-AG AGITATORS

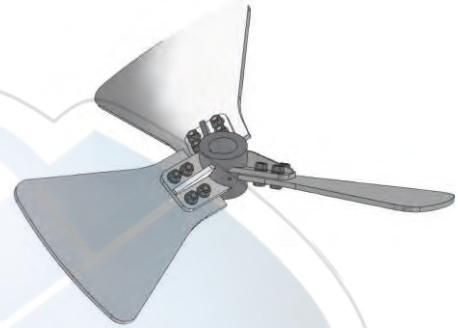
BLADE TYPES



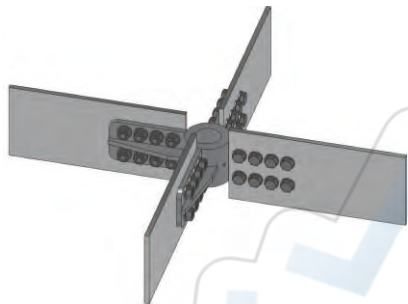
Parabolic Impeller - PB6



Propeller - MP3



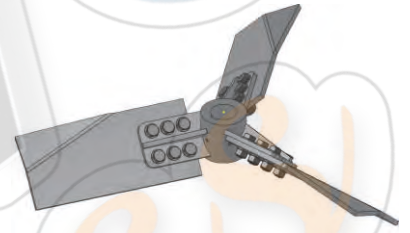
Bolt Propeller - BY3



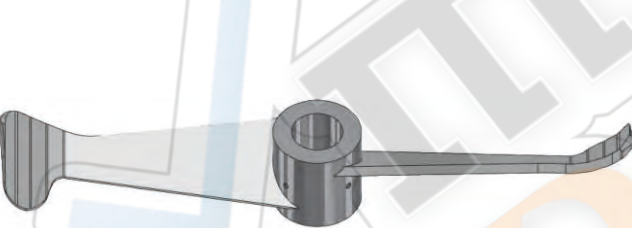
Shear Type - BS4



Curved Blade Type - BC3



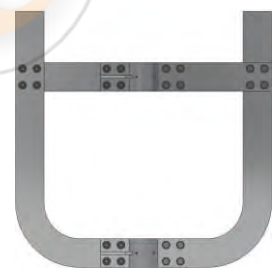
Twisted Blade Type - BB3



Jet Impeller - JT4



Helisel Type - HR2



Ankraj Type - AP2

REQUEST A QUOTE:

You can request a quote via www.miyay.com or satis@miyay.com by contacting our sales department.



Mixer Request Form

Document Number:	MPS.PAZ.04
Page:	1/1
Release Date:	11/10/2021
Revision Date:	11/10/2021
Revision Number:	REV00

Offer Date : _____
Order Date : _____
Order No : _____
Customer Reference Number: _____

Customer Name: _____
Related Person: _____
Address: _____
Email: _____

MIXER TYPES:

- BLENDING
 DISPERSION
 EMULSION
 VENTILATION
 HEAT TRANSFER
 OTHER

MIXER INSTALLATION:

- TOP ENTRY: SIDE ENTRY:
BOTTOM ENTRY: MOBILE:

WORKING CONDITIONS:

- INDOOR ENVIROMENT OUTDOOR ENV.
EXPROOF: OTHER

PRODUCT INFORMATION:

LIQUID NAME
PRESSURE(bar)
VISCOSITY(mPas)
HEAT (C)
INTENSITY (kg/m3)
FOAMING: None Light High
SOLID: Soluble Insoluble Carbon Steel
 AISI304 AISI316
 Rubber Coating AISI904 L Other

TANK DATA:

SHAPE: Single jacket Double Jacket
 Cylindrical Rectangle
TOP SECTION: Straight Concave Convex Open
BOTTOM SECTION: Straight Concave Convex Open
TANK SIZE (MM-H*W*L)
CAPACITY-OPERATION(M3)
CAPACITY-MAX.MİN.(M3)
BAFFLE Yes No

MOTOR CONTROL:

- Constant Spees Variable Speed Other

SEAL:

- Soft Seal Polyethylene
 Mechanical Seal
 Spring Kartuş Single Double

Schematic:

NOTES:



LOCAL SUPPORT
Field Service



REPAIRS AND UPGRADES
Machine Optimization and
modernization



TRAINING
Operation and Maintenance with
the Operator
Personnel Trainings



SPARE PARTS
Machine Spare Parts Stock
and Supply



SERVICE AGREEMENTS
Preventive Maintenance
Service Contracts



PROCESS OPTIMIZATION
Process Optimization Services



LAB AND ON-SITE TESTS
Laboratory Testing Services

Central:
Gökkuşığı Mah. Gökkuşığı Cad.
1209. Sok. No:17/2 Vadi Apt. 06520
Balgat-Çankaya/Ankara

Telefon: +90(312) 472 61 22
Fax: +90(312) 472 61 76
Eposta: miyay@miyay.com

Factory:
Saray Keresteciler Sitesi 3.Cd. No:64
Kahramankazan/Ankara

Telefon: +90(312) 472 61 93
Fax: +90(312) 395 29 32
Sabit Gsm: 0533 408 04 73
Mobil Gsm: 0533 686 90 51
Eposta: satis@miyay.com

www.miyay.com

