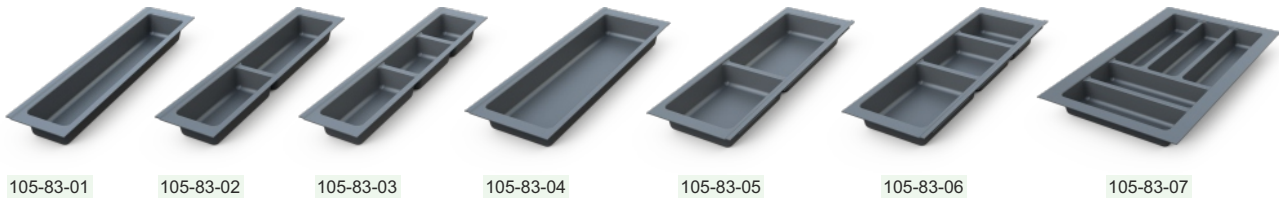
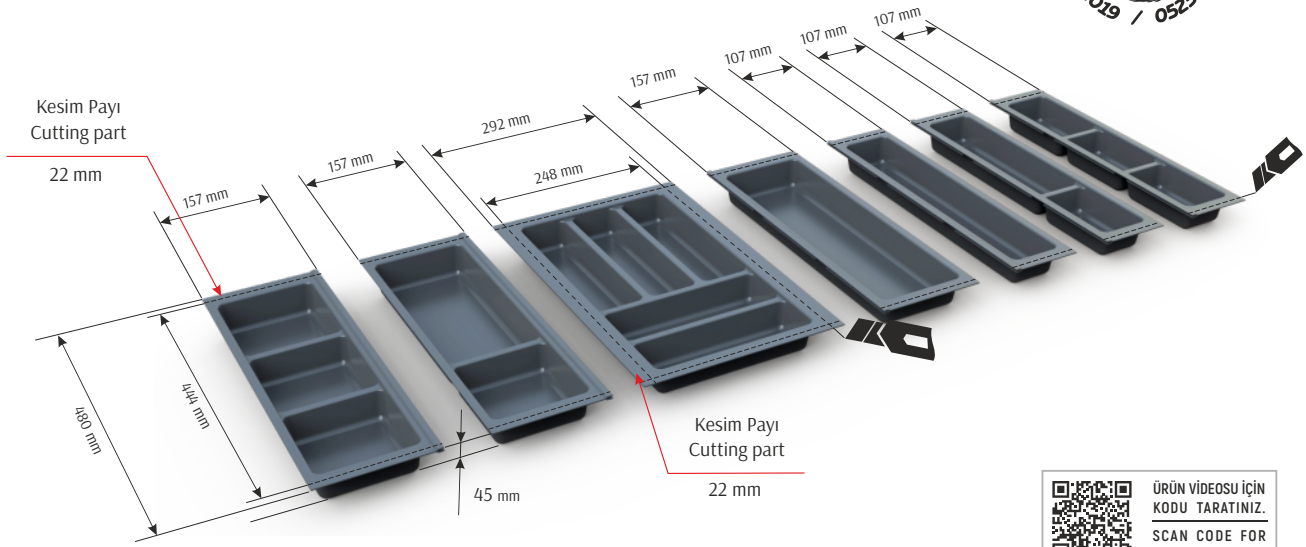


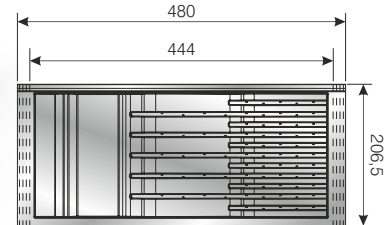
Traybond Kaşıklık / Traybond cutlery tray

SİPARİŞ KODU ORDER CODE	F		GENİŞLİK WIDTH	DERİNLİK DEPTH	YÜKSEKLİK HEIGHT	LxWxH	Ad Pcs
						kg	Ad Pcs
105-83-01	302 309	TRAYBOND 107 mm Tek Bölmeli TRAYBOND 107 mm one section	107 mm	480 - 444 mm	45 mm	-	5
						110 gr	80
105-83-02		TRAYBOND 107 mm İki Bölmeli TRAYBOND 107 mm two sections	107 mm	480 - 444 mm	45 mm	-	5
						114 gr	80
105-83-03		TRAYBOND 107 mm Üç Bölmeli TRAYBOND 107 mm three sections	107 mm	480 - 444 mm	45 mm	-	5
						116 gr	80
105-83-04		302 309	TRAYBOND 157 mm Tek Bölmeli TRAYBOND 157 mm one section	157 mm	480 - 444 mm	45 mm	-
	144 gr						80
105-83-05	TRAYBOND 157 mm İki Bölmeli TRAYBOND 157 mm two sections		157 mm	480 - 444 mm	45 mm	-	5
						144 gr	80
105-83-06	TRAYBOND 157 mm Üç Bölmeli TRAYBOND 157 mm three sections		157 mm	480 - 444 mm	45 mm	-	5
						151 gr	80
105-83-07	TRAYBOND 292 mm		292 - 248 mm	480 - 444 mm	45 mm	50 x 31 x 33	5
		6,170 kg				20	

TRAY BOND



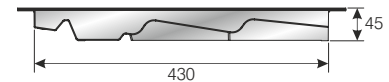
SİPARİŞ KODU ORDER CODE	F	AÇIKLAMA / DESCRIPTION	GENİŞLİK WIDTH (mm)	DERİNLİK DEPTH (mm)	YÜKSEKLİK HEIGHT (mm)	BIÇAKLIK KNIFE	KAŞIKLIK CUTLERY TRAY	Set
						kg	kg	Set
105-83-53		Traybond Bıçaklık Traybond Knife Tray	-	-	-	50 x 42 x 25 3,580 kg	- -	- 10
105-83-31		Traybond Bıçaklık Traybond Knife Tray	492 - 448	480 - 444	45	- -	50 x 31 x 33 6,170 kg	- 20
105-83-32		Traybond Bıçaklık Traybond Knife Tray	592 - 548	480 - 444	45	50 x 42 x 25 3,580 kg	42 x 50 x 34 8,400 kg	- 20
105-83-21		Traybond Bıçaklık Traybond Knife Tray	642 - 598	480 - 444	45	50 x 42 x 25 3,580 kg	47 x 50 x 34 10,240 kg	- 20
105-83-33		Traybond Bıçaklık Traybond Knife Tray	692 - 648	480 - 444	45	50 x 42 x 25 3,580 kg	58 x 50 x 34 12,330 kg	- 20
105-83-22		Traybond Bıçaklık Traybond Knife Tray	742 - 698	480 - 444	45	50 x 42 x 25 3,580 kg	58 x 50 x 34 13,000 kg	- 20
105-83-34		Traybond Bıçaklık Traybond Knife Tray	792 - 748	480 - 444	45	50 x 42 x 25 3,580 kg	69 x 49 x 34 14,066 kg	- 20
105-83-23	302 309	Traybond Bıçaklık Traybond Knife Tray	842 - 798	480 - 444	45	50 x 42 x 25 3,580 kg	69 x 49 x 34 15,300 kg	- 20
105-83-35		Traybond Bıçaklık Traybond Knife Tray	892 - 848	480 - 444	45	50 x 42 x 25 3,580 kg	79 x 49 x 34 16,310 kg	- 20
105-83-24		Traybond Bıçaklık Traybond Knife Tray	942 - 898	480 - 444	45	50 x 42 x 25 3,580 kg	79 x 49 x 34 17,930 kg	- 20
105-83-36		Traybond Bıçaklık Traybond Knife Tray	992 - 948	480 - 444	45	50 x 42 x 25 3,580 kg	90 x 49 x 34 18,960 kg	- 20
105-83-25		Traybond Bıçaklık Traybond Knife Tray	1042 - 998	480 - 444	45	50 x 42 x 25 3,580 kg	90 x 49 x 34 20,540 kg	- 20
105-83-37		Traybond Bıçaklık Traybond Knife Tray	1092 - 1048	480 - 444	45	50 x 42 x 25 3,580 kg	58 x 50 x 34 10,980 kg	- 10
105-83-26		Traybond Bıçaklık Traybond Knife Tray	1142 - 1098	480 - 444	45	50 x 42 x 25 3,580 kg	58 x 50 x 34 11,400 kg	- 10
105-83-38		Traybond Bıçaklık Traybond Knife Tray	1192 - 1148	480 - 444	45	50 x 42 x 25 3,580 kg	58 x 50 x 34 11,810 kg	- 10



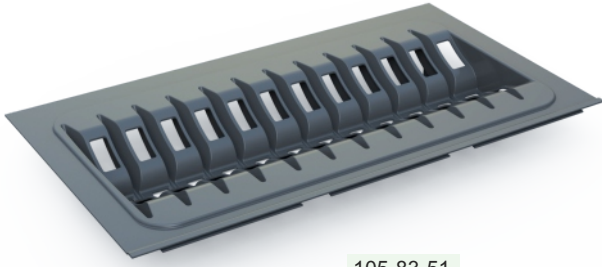
- Bıçaklık modülüne 5 adet büyük, 6 adet küçük bıçak konulabilir.
- Knife tray holds up to 5 big and 6 small knives.



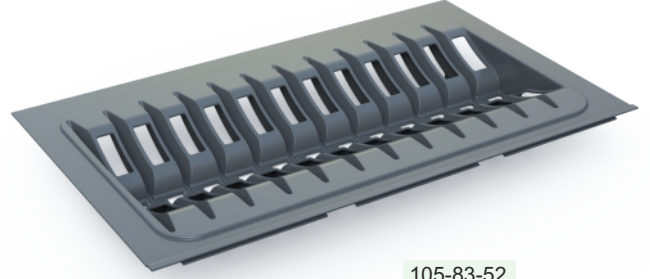
ÜRÜN VİDEOSU İÇİN
KODU TARATINIZ.
SCAN CODE FOR
PRODUCT VIDEO.



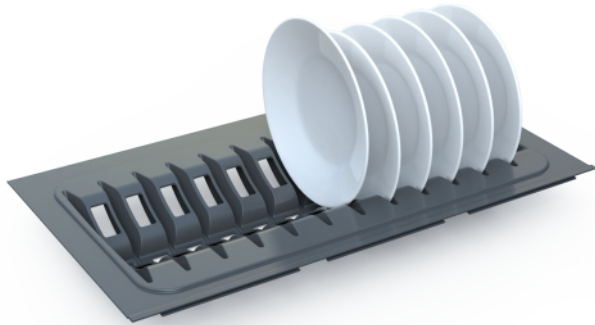
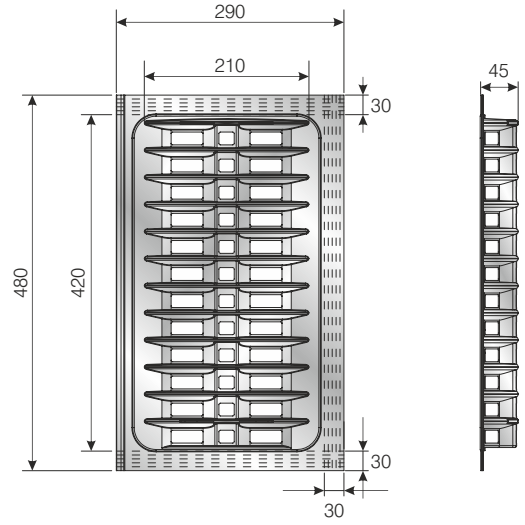
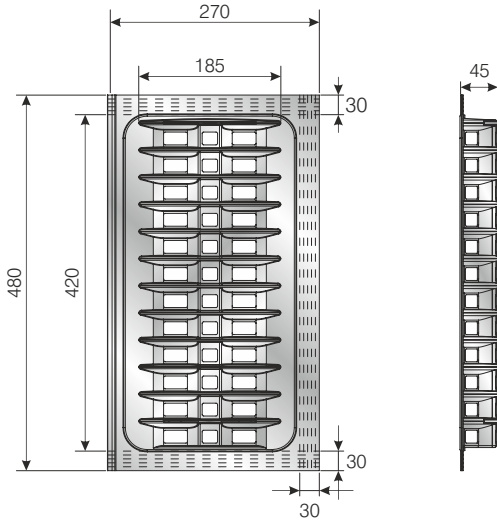
SİPARİŞ KODU ORDER CODE	F	AÇIKLAMA / DESCRIPTION	D	LxWxH	Ad Pcs
				kg	Ad Pcs
105-83-51	302, 309	Traybond Tabaklık 270mm Traybond Plate Holder 270mm	270x480x50mm	50 x 29 x 23	-
				5,700 kg	20
105-83-52	302, 309	Traybond Tabaklık 290mm Traybond Plate Holder 290mm	290x480x50mm	50 x 31 x 23	-
				6,100 kg	20



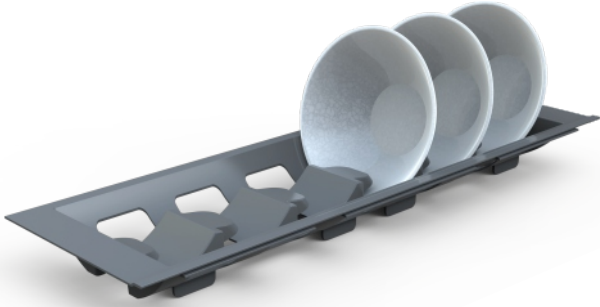
105-83-51
270 mm



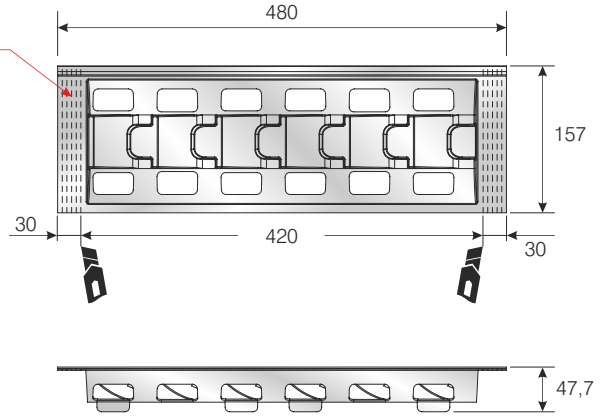
105-83-52
290 mm



SİPARİŞ KODU ORDER CODE	F	AÇIKLAMA / DESCRIPTION	D	LxWxH	Ad Pcs
				kg	Ad Pcs
105-83-54	302, 309	Traybond Kaselik Traybond Bowl Tray	157x480x47,7mm	49 x 33,5 x 30	-
				3,220 kg	20



Kesim Payı
Cutting part



ÜRÜN VIDEOSU İÇİN
KODU TARATINIZ.
SCAN CODE FOR
PRODUCT VIDEO.

