

Product information

eaZiflex
VITROX 100

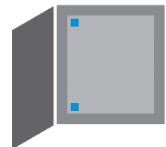
THE
KNOW-
HOW
FACTORY

ZIMMER GROUP

Am Glockenloch 2
77866 Rheinau
T +49 7844 9110-0
info@daempfungssysteme.de
www.zimmer-softclose.shop
www.zimmer-group.com

General data:

Type of product:	Soft Close swing door hinge
Origin:	Rheinau, Baden-Württemberg, Germany
Lifetime:	500.000 cycles
Installation option:	Glass door (glass-to-wall-connection)



Index

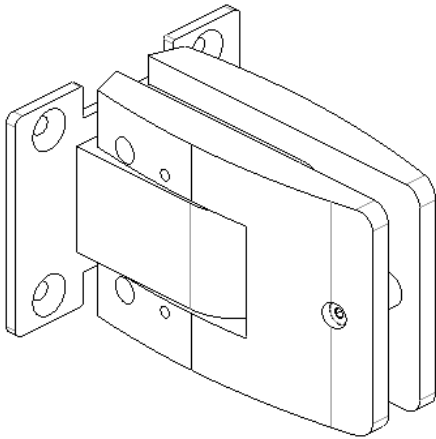
- 1. Content 3
- 2. Function..... 3
- 3. Glass connection 4
- 4. Technical data 4
- 5. Glass preparation..... 5
- 6. Characteristics 5
- 7. Integration 6
- 8. Test procedure 6
- 9. Technical drawing 7

1. Content

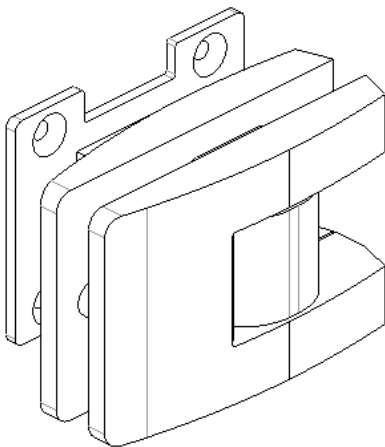
The new innovative soft close swing door hinge is installed as a connecting piece between a wall and a glass door.

2. Function

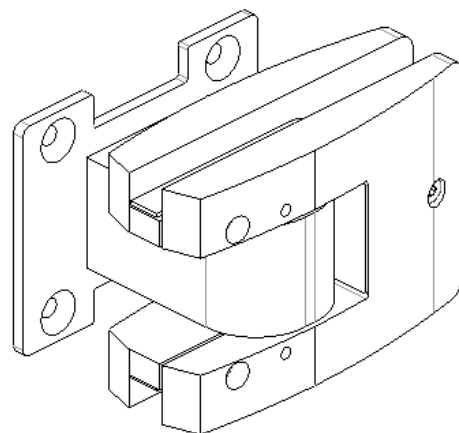
Hinge at 0° (door closed)



Hinge at +90° (door open)

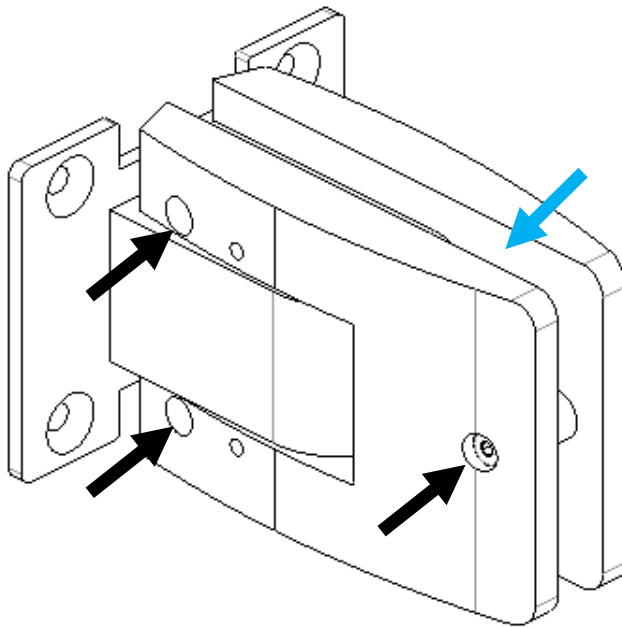


Hinge at -90° (door open)



3. Glass connection

The glass is inserted into the space inside the hinge (blue arrow) and then clamped with screws (black arrows):



Thus the glass door is connected to the hinge.

4. Technical data

Length [mm]:	127
Width [mm]:	46
Height [mm]:	82
Load capacity per hinge [kg]:	35
Lifetime [cycles]:	500.000
Operating conditions [°C]	10 to 40
Storage conditions [°C]	-20 to 80

7. Integration

Main application:

Sliding door	
Drawer	
Hinge	<input checked="" type="checkbox"/>
Flap	

8. Test procedure

The hinge is tested on the basis of:

- DIN EN 1154:2003
- DIN EN 1670:2007

9. Technical drawing

