

## Product information

eaZi*flex*  
VITROX 200

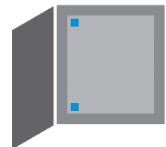
THE  
KNOW-  
HOW  
FACTORY

## ZIMMER GROUP

Am Glockenloch 2  
77866 Rheinau  
T +49 7844 9110-0  
info@daempfungssysteme.de  
www.zimmer-softclose.shop  
www.zimmer-group.com

### General data:

Type of product:	Soft Close swing door hinge
Origin:	Rheinau, Baden-Württemberg, Germany
Lifetime:	500.000 cycles
Installation option:	Glass door (glass-to-glass-connection)



# Index

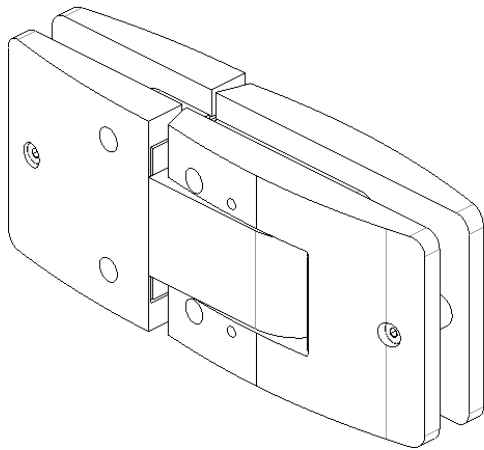
- 1. Content ..... 3
- 2. Function..... 3
- 3. Glass connection ..... 4
- 4. Technical data ..... 4
- 5. Glass preparation..... 5
- 6. Characteristics ..... 5
- 7. Integration ..... 6
- 8. Test procedure ..... 6
- 9. Technical drawing ..... 7

## 1. Content

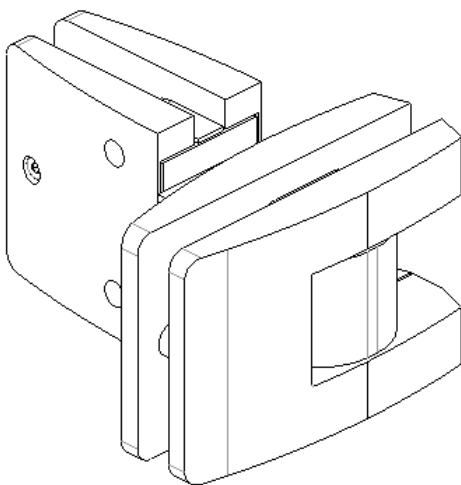
The new innovative soft close swing door hinge is installed as a connecting piece between a fixed part and a glass door.

## 2. Function

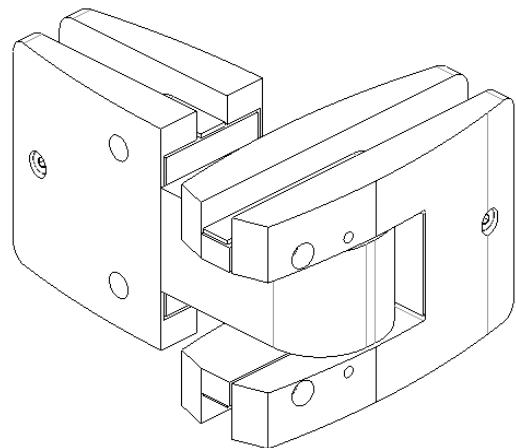
**Hinge at 0° (door closed)**



**Hinge at +90° (door open)**

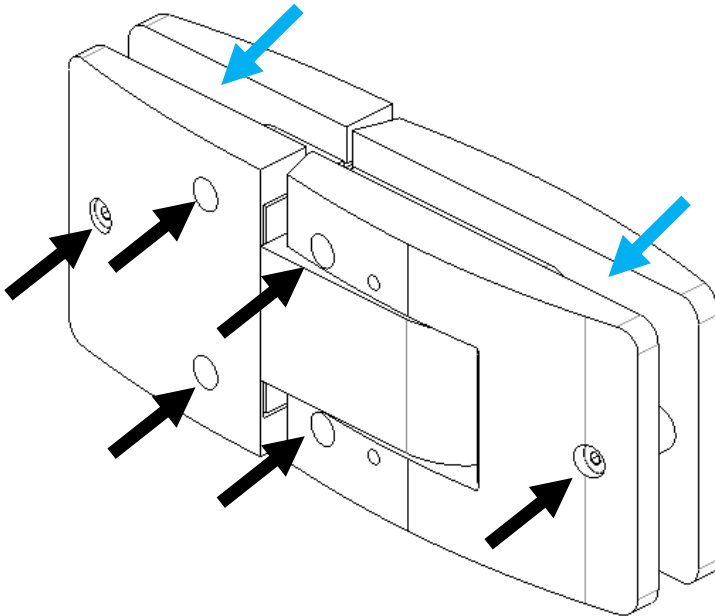


**Hinge at -90° (door open)**



### 3. Glass connection

The glass is inserted into the space inside the hinge (blue arrow) and then clamped with screws (black arrows):

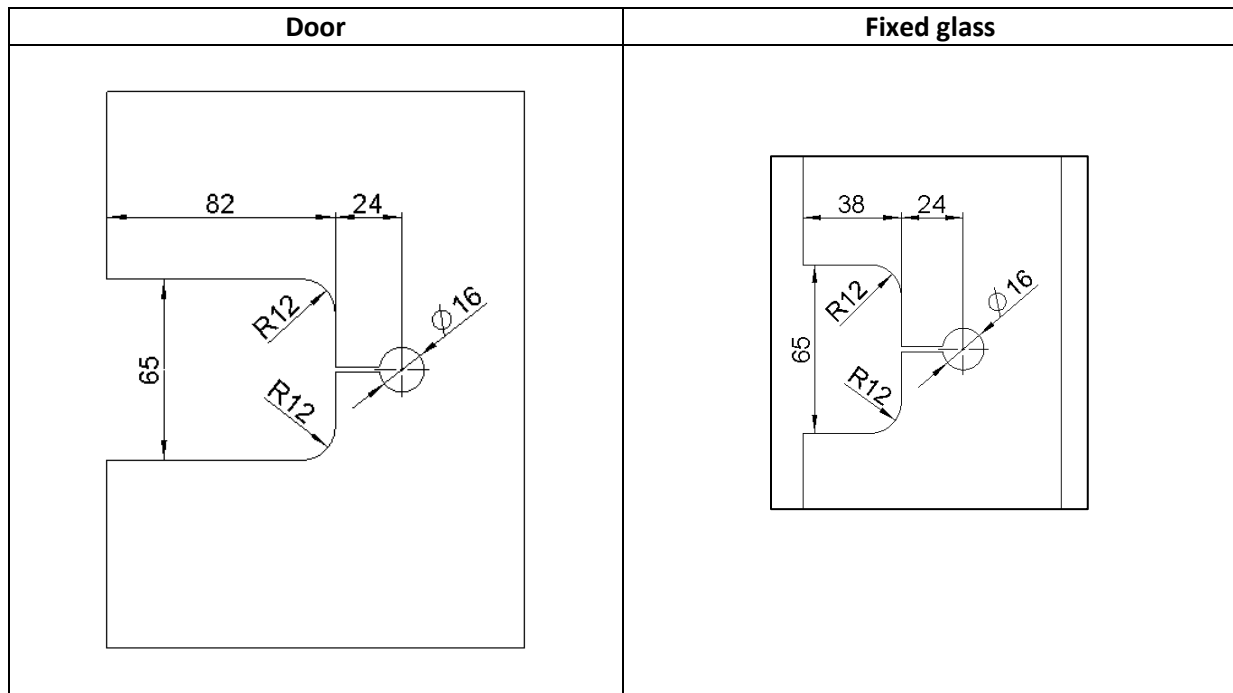


Thus the glass door is connected to the hinge.

### 4. Technical data

Length [mm]:	199
Width [mm]:	46
Height [mm]:	82
Load capacity per hinge [kg]:	35
Lifetime [cycles]:	500.000
Operating conditions [°C]	10 to 40
Storage conditions [°C]	-20 to 80

## 5. Glass preparation



## 6. Characteristics

- Opens 90° on both sides
- Locking when the door is open
- Automatic closing from an opening angle of 70°
- Automatic closing and centering to 0°
- Zero-position with spring preload
- Adjustable zero-position (zero position means the position of the closed door. It can compensate tolerances)
- Glass thickness:
  - 8 mm
  - 10 mm
  - 10,76-11,52 mm
  - 12 mm
  - 12,76-13,52 mm
- Article number: B000-00-138
- The opening of the door beyond 90° must be limited with a stopper

## 7. Integration

Main application:

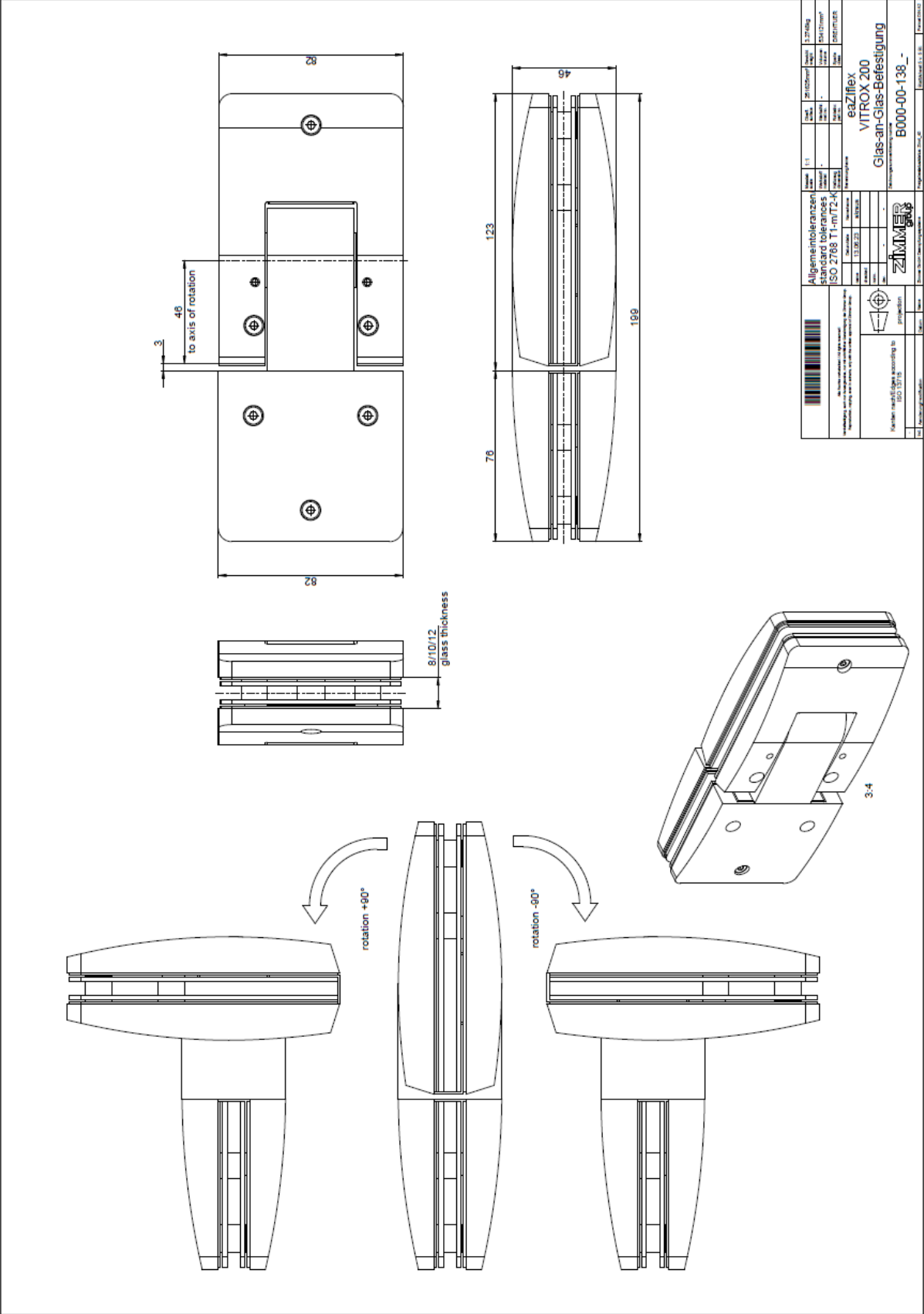
Sliding door	
Drawer	
Hinge	<input checked="" type="checkbox"/>
Flap	

## 8. Test procedure

The hinge is tested on the basis of:

- DIN EN 1154:2003
- DIN EN 1670:2007

# 9. Technical drawing



	Allgemeineinzelheiten standard tolerances ISO 2768 T1-m(T2-H)	Maßstab 1:1	Zeichner [Name]	3-17-Mag
	Material eaZiflex VITROX 200 Glas-an-Glas-Befestigung B000-00-138 -	Fertigung [Name]	Gezeichnet [Name]	Geprüft [Name]
Hersteller nach IEC ISO 10178 projection	ZIMMER glas	Projektname [Name]	Zeichnungsnummer [Name]	Blattnummer [Name]