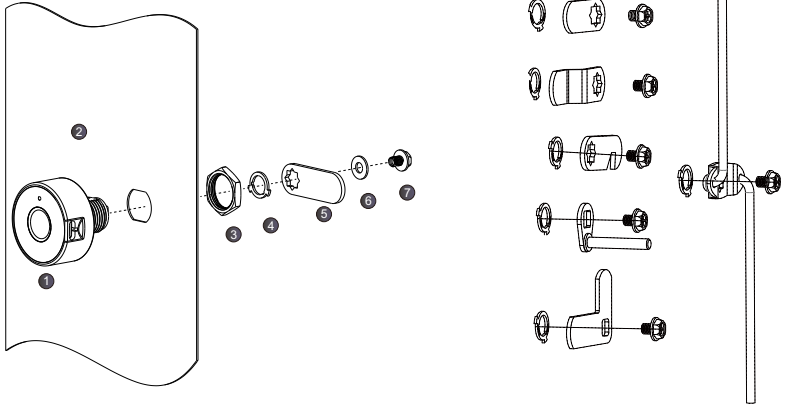


Assembling Drawing

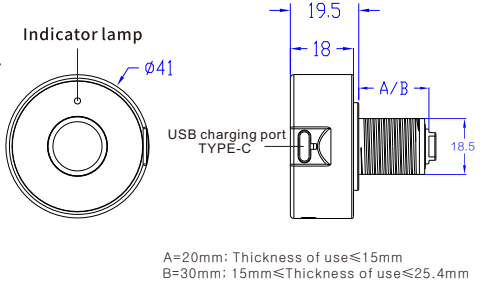


Warning: When multiple locks are installed, if the fingerprint lock is in the factory state. The lock cores or panels can be mixed and matched with each other. Otherwise this lock core and panel can only be used one by one.

List of parts:

- 1 Lock
- 2 Door panel Wood: 10-22mm / Iron: 0.5-12mm
- 3 nut x1 (M16)
- 4 fixed plate
- 5 straight plate
- 6 Spacer for accessories x1 (Ø12mm)
- 7 bolt x1 (PWM4.0*8mm)

Product size

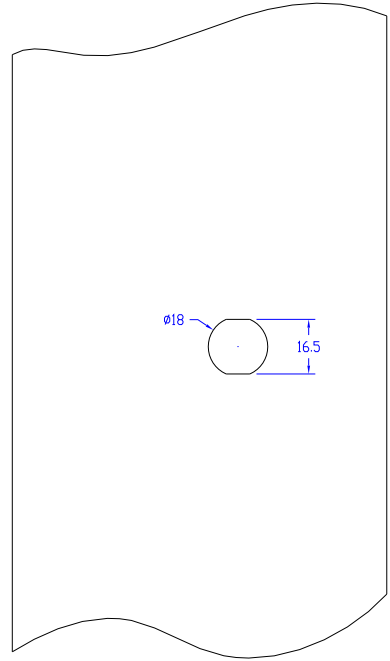
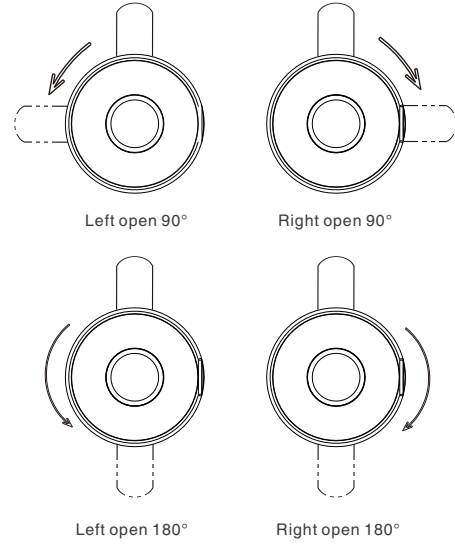


Installation Steps:

1. Drill the installation holes on the door as following dimensionl.
2. Fix the lock and rare part as the installation drawing.

Note:

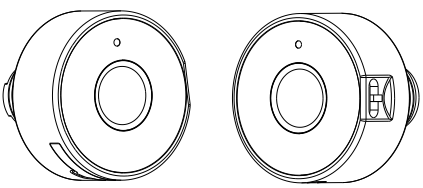
1. The connection fittings should be installed at an angle, left or right 90°/180° unlocking.
2. Door panels using a thickness of 0.5-25.4mm.



INSTRUCTION MANUAL

Smart fingerprint lock

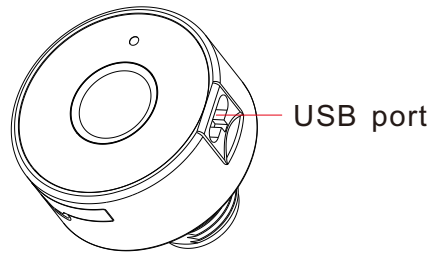
103-6-FU Series



CE/FCC/PSE/ROHS/SGS

Contents

1. First use
 - 1.1 First use
2. Operating Instructions
 - 2.1 Enter administrator fingerprint
 - 2.2 Enter user fingerprints
 - 2.3 Delete all fingerprints
 - 2.4 Unlock operation
 - 2.5 USB-KEY
3. Other Instructions
 - 3.1 Acousto-optic prompt
 - 3.2 Technical parameter



1. First use

1.1 First use

The new lock is shipped without any fingerprints and can be unlocked by pressing any fingerprint. **The fingerprint lock can be entered with 10 fingerprints, the first one being the administrator's fingerprint by default**

2. Operating Instructions

2.1 Enter administrator fingerprint (The first default is the administrator's fingerprint)

- 1) Press and hold the fingerprint piece for about 3 seconds until the green light comes on and you hear a beep and then release it.
- 2) The administrator's fingerprint will be successfully entered 4 times within 5 seconds and a long "beep-" will be heard.
- 3) Each time the entry is made, a beep and a green light flashes once to indicate success, two beeps and a red light flashes twice to indicate failure, and the entry must be continued until it has passed a total of 4 times.

2.2 Enter user fingerprints (Up to 9 fingerprints can be entered)

- 1) Press and hold the fingerprint tab for about 3 seconds until the blue light flashes and you hear the "beep, beep" sound, then release the administrator fingerprint.
- 2) Within 5 seconds enter the administrator's fingerprint again for verification, a successful beep will be heard and then the administrator's fingerprint will be released again.
- 3) To enter the user's fingerprint, 4 times qualifying entries are required for success.
- 4) Each time the entry is made, a beep and a green light flashes once to indicate success, two beeps and a red light flashes twice to indicate failure, and the entry must be continued until it has passed a total of 4 times.

2.3 Delete all fingerprints

- 1) Press and hold the fingerprint tab for approximately 6 seconds until the red light flashes and you hear a "beep, beep" Intermittent sound, then release the administrator fingerprint.
- 2) Within 5 seconds enter the administrator's fingerprint again for verification, a successful beep will be heard and then the administrator's fingerprint will be released again.
- 3) At this time, all fingerprints are deleted successfully and any fingerprint can be used to open the lock.

2.4 Unlock operation

- 1) Pressing the fingerprint for about 0.5 seconds, the green light comes on and the lock is successfully opened with a "beep-beep".

2.5 USB-KEY(Plug in the USB connector to restore the factory)

- 1) After inserting the USB-KEY into the USB connector of the lock body, the lock emits a long beep to indicate a successful initialisation (the USB-KEY will not be deleted) and two beeps to indicate a failure.

3. Other instructions

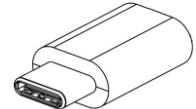
3.1 Acousto-optic prompt

Serial number	Name	Sound/light synchronous indication	Meaning
1	Unlock	Long Sound. The green light is long bright	Unlock successfully
2	Operation successful	Long Sound. The green light is long bright	Correct operation, unlock/register successfully
3	Error	Double ring. Red light shining	Operation error, invalid input
4	Insufficient power	Ticketing three sounds	Power shortage, please charge

Note: When the power is insufficient, the lock can be unlocked for about 50 times when the power is exhausted. Please charge as soon as possible.

3.2 Technical parameter

Operating voltage	DC 4 - 4.2V
Battery Specifications	Li-Ion
Standby current	≤10uA
Maximum current	≤ 20mA
Battery life	Charging once can be used for 6-9 months, can unlock 2000 times
Operation temperature	-20°C ~ 70°C
Relative humidity	20% ~ 80%
Composition material	kirsite/ABS
Installation aperture	Suitable for diameter 16mm-19mm
Plate thickness requirements	~0.5mm
Certification detection	CE/FCC/PSE/ROHS/Salt Spray Test



USB-KEY