

INSTRUCTION MANUAL

Smart password lock

138-3-CU Series



CE/FCC/PSE/ROHS/SGS

Contents

1. The first using

1.1 The first using

2. Operating Instruction

2.1 Unlocking

2.2 Change code

2.3 Switch mode

2.3.1 Switch mode

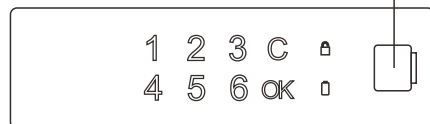
2.3.2 Public mode operating

2.4 USB-KEY

3. Other Instruction

3.1 Acousto-optic notification

3.2 Technical Parameters



1. The first using

1.1 The first using

Please prepare three AAA batteries and insert them correctly before using.

2. Operating instruction

2.1 Unlocking

Factory default code is 1, user inputs "1+OK" and hear a long sound, the lock is successfully opened. User can change the code according to below 2.2.

2.2 Change admin password:

Input "old password + C + new password + OK "

The administrator input "old password + C + new password (1-20 digits) + OK " and hear a long sound which means the code is set successfully. For example change the default code from 1 to 123, input "1+C+123+OK" and when you hear a long sound, the new code will come into effect.

2.3 Mode switching

2.3.1 Mode switching

Press "C" 2 seconds, after hearing a "beep-" sound and lock light flashing, input " admin password +OK ", a long "beep-" means the successful verification. Then input "1+OK" into private mode or "2+OK" into public mode within 5 seconds.

2.3.2 Public mode operating

The lock stays unlocking in public mode. Input "password (4-20 digits) + OK" to create a temporary password, and lock. Then, the temporary password takes effect. Input the temporary password to unlock, at the meantime the password lose efficacy.

2.4 USB-KEY:

Plug in the USB connector to restore the factory

After inserting the USB-KEY into the USB connector of the lock body, the lock emits a long beep to indicate a successful initialisation (the USB-KEY will not be deleted and two beeps to indicate a failure).

3. Other instructions

3.1 Acousto-optic prompt

| Serial number | Name | Sound/light synchronous indication | Meaning |
|---------------|----------------------|--|---|
| 1 | Unlock | Long Sound. The green light is long bright | Unlock successfully |
| 2 | Operation successful | Long Sound. The green light is long bright | Correct operation, unlock/register successfully |
| 3 | Error | Double ring. Red light shining | Operation error, invalid input |
| 4 | Insufficient power | Ticketing three sounds | Power shortage |

Note: When the power is insufficient, the lock can be unlocked for about 50 times when the power is exhausted. Please replace batteries as soon as possible.

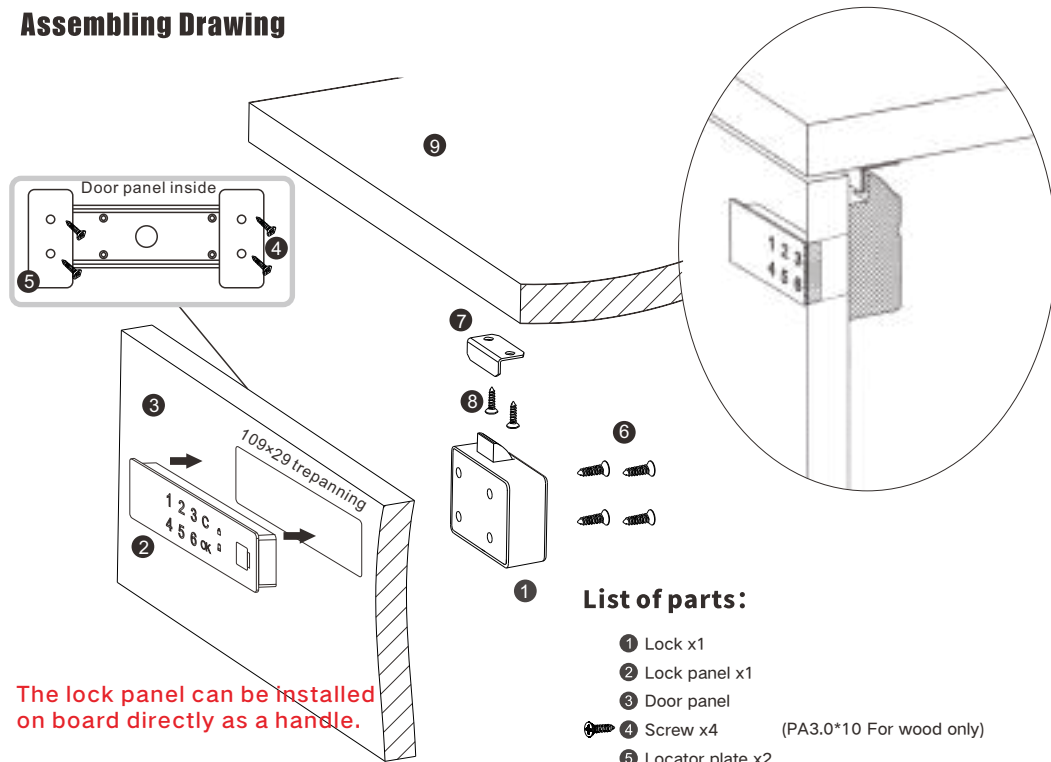
3.2 Technical parameter

| | |
|------------------------------|---------------------------------|
| Operating voltage | DC3.4-4.5V |
| Battery Specifications | AAA battery |
| Standby current | ≤25μA |
| Maximum current | ≤0.2A |
| Operation temperature | -5°C ~ 50°C |
| Relative humidity | 20% ~ 80% |
| Composition material | Polycarbonate / Zinc alloy |
| Installation aperture | 109×29 mm |
| Plate thickness requirements | 0.5-25.4mm |
| Certification detection | CE/FCC/PSE/ROHS/Salt Spray Test |



USB-KEY

Assembling Drawing



The lock panel can be installed on board directly as a handle.

Warning:

When multiple locks are installed, if the initial password (1) has not been changed, the lock cores or panels can be mixed and matched with each other. Otherwise this lock core and panel can only be used one by one.

List of parts:

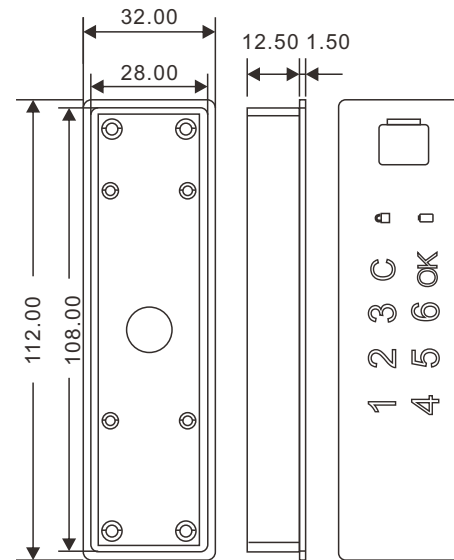
- ① Lock x1
- ② Lock panel x1
- ③ Door panel
- ④ Screw x4 (PA3.0*10 For wood only)
- ⑤ Locator plate x2
- ⑥ Bolt x4 (PA3.5*16 For wood only)
- ⑦ L-Baffle x1 (M3.0 For wood only)
- ⑧ Screw x2 (PA3.5*12 For wood only)
- ⑨ Cabinet board

Installation Steps:

1. Drill the installation holes on the door as following dimensionl.
2. Fix the lock and rare part as the installation drawing.

Note:

1. Before drilling fixing holes, please ensure that the position will allow the lock to work. Distance between latch and bottom of striker plate is 1 to 2mm.
2. Door panels using a thickness of 0.5-25.4mm.



Dimensional drawings

