



PACKAGING
TECHNOLOGIES

apack™

EcoSEAL

100 Mini



ⓐ Fully Automatic Tray Sealer

MODERN TECHNOLOGY ⓐ

HIGH EFFICIENCY ⓐ

EASY USE

ⓐ

FAST SERVICE SUPPORT ⓐ

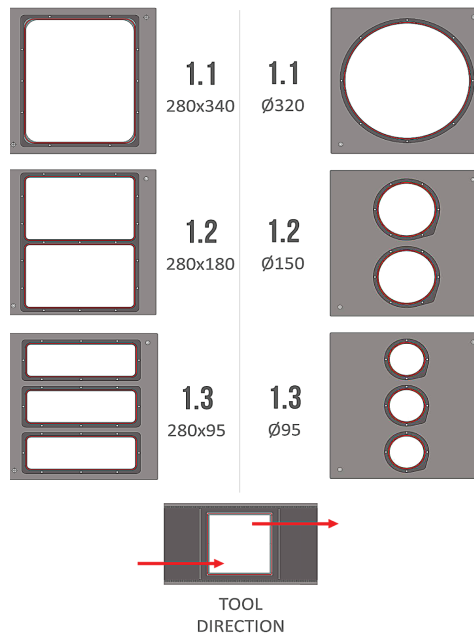
a Fully Automatic Tray Sealer

MODERN TECHNOLOGY a

HIGH EFFICIENCY a

EASY USE a

FAST SERVICE SUPPORT a



PACKAGING TECHNOLOGIES
a pack
EcoSEAL
100 Mini

EcoSEAL series machines are designed completely according to the needs of the customer. The Unit is suitable for attaching all kinds of accessories, like all fully automatic machine models. EcoSEAL is performed by thermal-transfer method while sealing. For this reason, it is preferred in food/medical products that do not require shelf life.

Daily patisserie and bakery products, portioned snacks, takeaways, dried foods, ready meals, salads, delicatessen items are suitable for EcoSEAL.

It is especially suitable for the products prepared on the shelves of the big markets for daily consumption. Sealed products will maintain their freshness all day long in the cold chain (+4°C).

It is suitable for the use of single or multi-compartment trays.

Operation starts from tray placing, covers all stages such as filling, weighing, sorting, sealing, labeling, collecting and stacking the product. APACK produce completely customized solutions to suit your other production machines and size of your production area.

The body of our machines is completely made of AISI 304 stainless steel.

Molds are processed from 5000 and 7000 series aluminum on our own CNC machines.

Moving belts and moving elements are made of hygienic material. Mechanical, electrical, electronic and pneumatic parts are selected from the highest quality brands.

The machine is very easy to use, maintain and clean.

Every step of the packaging process can be easily controlled with color PLC touch screen.

The PLC unit, which performs all kinds of monitoring and control of the production line, immediately warns about possible errors, misuse and installation malfunctions and protects the system.

All processes can be adjusted in accordance with all kinds of trays and films.

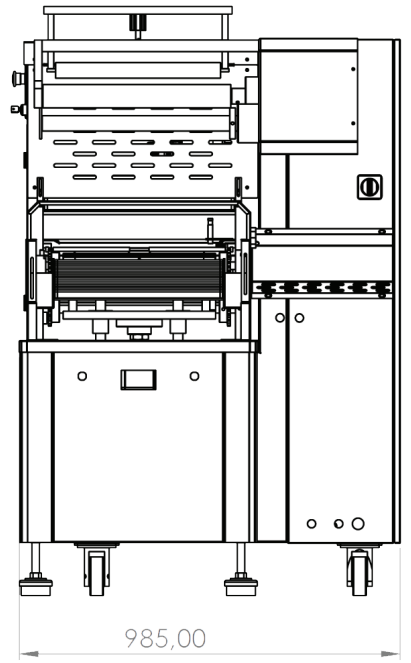
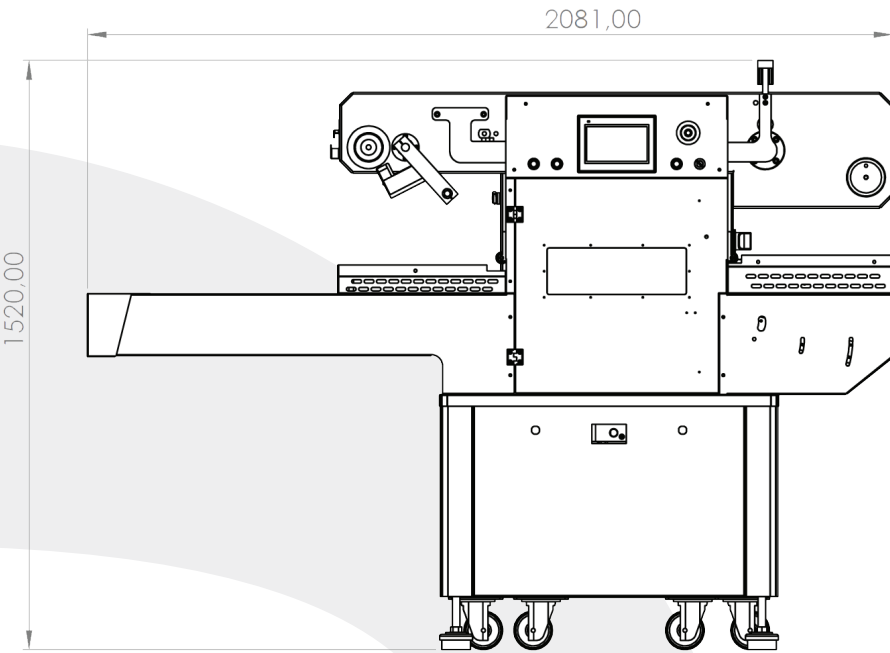
It is easy to switch to different production recipes with 99 memory capacity.

Mold changing, film rolls changing applications are much simplified. In this way, all kinds of interventions can be easily performed by the company staff.

EcoSEAL series machines have CE certificate.

Our company has ISO9001 / ISO22000 / ISO13485 certificates of conformity.

EcoSEAL-100Mini is innovative designed by APACK Team.

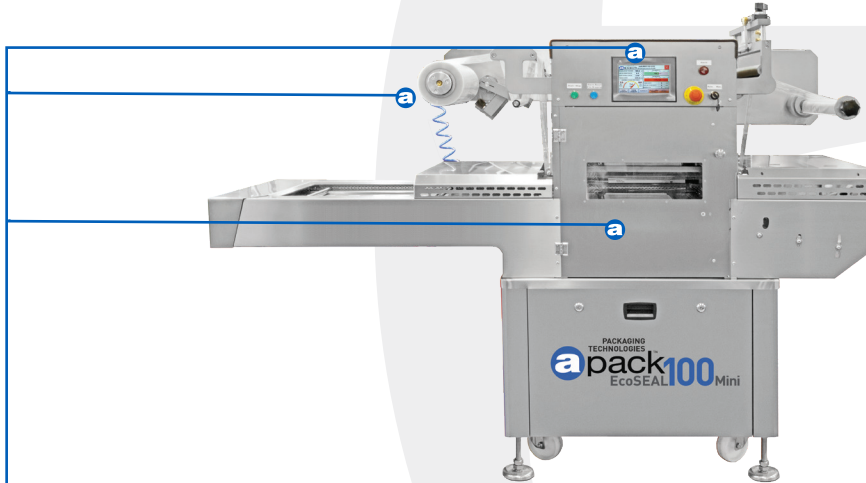


“ All EcoSEAL series machines can be accessed via the internet for system controls. ”

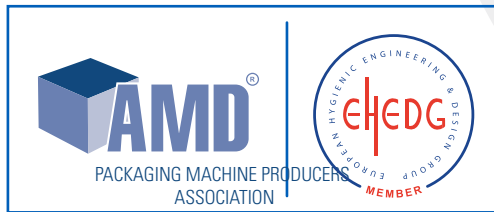


TECHNICAL SPECIFICATIONS

ENERGY	400V, 50-60Hz, 3/N/PE
POWER	8kW max
COMPRESSED AIR	6 bar Homogeneous-Dry Air
COMPRESSED AIR USE	25 Nl/cycle
CAPACITY	8-10 cycle/min
CONTROL SYSTEM	7" Color Touchscreen PLC
DIMENSIONS (W/L/H)	985x2081x1520 mm.
WEIGHT	500 kg.
FILM WIDTH	420 mm.
FILM REEL DIAMETER	76 mm.
OPERATION	Chain Drive with Pneumatic System



The **EcoSEAL** which we have developed, incorporates all the structural features of our fully automatic packaging machines. It provides automation, does not burden your budget, and provides great convenience in terms of placement in the production area.



* FULL MEMBER OF THE TURKISH PACKAGING MACHINE PRODUCERS ASSOCIATION.
* MEMBER OF **EHEDG** (EUROPEAN HYGIENIC ENGINEERING AND DESIGN GROUP).



APACK AMBALAJ MAKİNE SANAYİ TİCARET LTD. ŞTİ.
Ferhatpaşa Mah. 22. Sok. No: 43 34888 Ataşehir
İstanbul / Türkiye

T : +90 216 661 33 71 | M : +90 530 265 04 00
+90 216 661 26 69 | www.apack.com.tr
+90 216 661 60 13 | info@apack.com.tr
F : +90 216 661 33 70 | export@apack.com.tr

Dealer: