

Ürün Kataloğu

RECOPACK

Recycled Ecological Packaging



www.recopack.com.tr





RECOPACK

Recycled Ecological Packaging

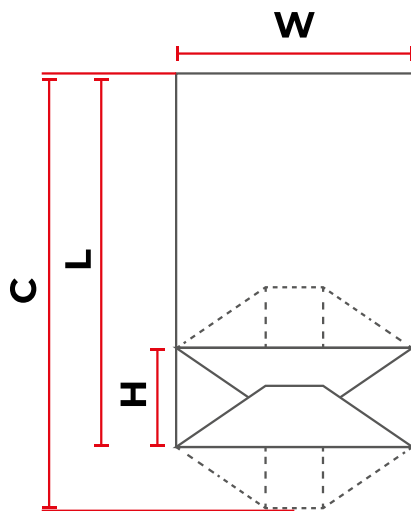
Who are we?

Recopack Kağıt Ambalaj San. ve Tic. Ltd. Şti. was founded in 2021. The company conducts its production activities together with its innovative and environmentally conscious staff at its plant in İzmir, İTOB organized industrial zone, and in this context produces printed - unprinted bags with or without handles, which are included within the products of paper packaging group.

Our company, which adopts the basic principle of quality production in a clean and organized working environment with its happy employees, state-of-the-art machinery/equipment, acts with awareness of environmental protection and work safety.

High-quality products made from carefully selected natural and recycled papers with the principle of environmentally friendly production and high customer satisfaction are our primary objectives.

Square Bottom Paper Bag



Sizes	Min.	Max.
Width (cm)	15	54
Height (cm)	25	70
Botton Width (cm)	8	25
Paper weight (gsm)	70	120

(C) Unfolded length 270-770 mm

(L) Bag length 220-700 mm

(W) Bag width 150-540 mm

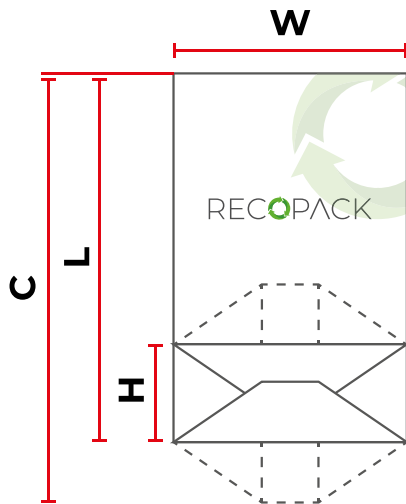
(H) Bottom width 80-250 mm

Paper weight range 70-120 g/m²

Product features

- * Best quality and complete solution for your packaging needs
- * Production with recycled and natural paper
- * Suitable for food production
- * With square bottom
- * Unprinted or printed environmentally friendly food and delivery service bags

Square Bottom Paper Bag, Printed



Sizes	Min.	Max.
Width (cm)	15	54
Height (cm)	25	70
Bottom Width (cm)	8	25
Paper weight (gsm)	70	120

(C) Unfolded length 270-770 mm

(L) Bag length 220-700 mm

(W) Bag width 150-540 mm

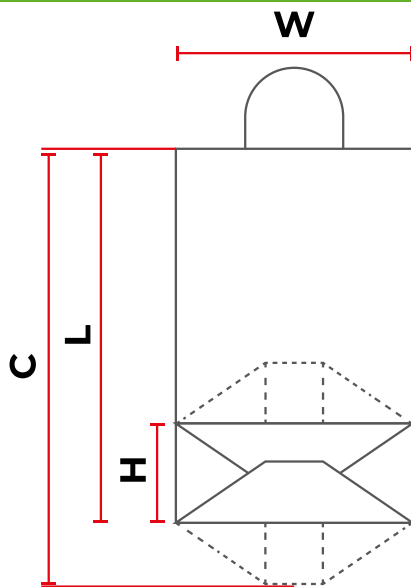
(H) Bottom width 80-250 mm

Paper weight range 70-120 g/m²

Product features

- * Best quality for your packaging needs
- * Production with recycled and natural paper
- * Suitable for food production
- * Square bottom
- * Printed, environmentally friendly food and shopping bags

Twisted Handle Shopping Bag, Unprinted



Sizes	Min.	Max.
Width (cm)	20	54
Height (cm)	25	58
Bottom Width (cm)	8	25
Paper weight (gsm)	70	120

(C) Unfolded length 270-650 mm

(L) Bag length 220-580 mm

(W) Bag width 200-540 mm

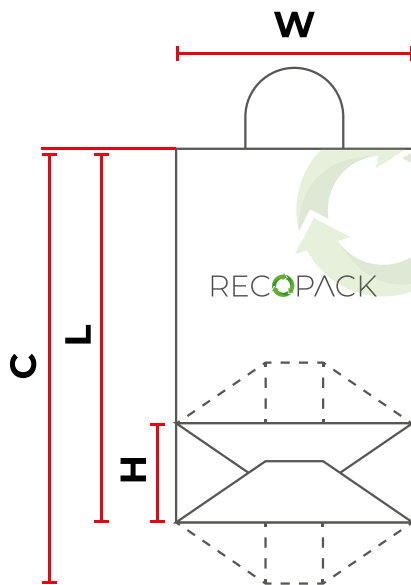
(H) Bottom width 80-250 mm

Paper weight range 70-120 g/m²

Product features

- * Best quality solution for your packaging needs.
- * Production with recycled and natural paper
- * Suitable for food production
- * Square bottom
- * Unprinted, environmentally friendly food and delivery service bags

Twisted Handle Shopping Bag, Printed



Sizes	Min.	Max.
Width (cm)	20	54
Height (cm)	22	58
Botton Width (cm)	8	25
Paper weight (gsm)	60	120

(C) Unfolded length 270-650 mm

(L) Bag length 220-580 mm

(W) Bag width 200-540 mm

(H) Bottom width 80-250 mm

Paper weight range 70-120 g/m²

Product features

- * Best quality and complete solution for your packaging needs
- * Production with recycled and natural paper
- * Suitable for food production
- * Unprinted, eco-friendly bags for food and delivery service



The mark of
responsible forestry

Certificate of Registration

This is to certify that

RECO^{PACK} KAĞIT AMBALAJ SANAYİ VE TİCARET LİMİTED ŞİRKETİ

"the certified site" has been certified in accordance with the requirements of the Forest Stewardship Council® A.C. using the FSC® Chain of Custody standards* and that RECO^{PACK} KAĞIT AMBALAJ SANAYİ VE TİCARET LİMİTED ŞİRKETİ of

**İTOB OSB MAH. 10007 SK. NO: 7 MENDERES, İZMİR, 35471,
TURKEY**

is hereby licensed to use the FSC Logo on and sell as FSC certified all products listed on the attached FSC product schedule as FSC Mix; FSC 100%; FSC Recycled.

Certificate Registration
Code:

SA-COC-013368

Issue Number: 1.0

Licence Code:

FSC-C181258

Issued By:

Soil Association Certification Limited
Spear House, 51 Victoria Street,
Bristol, BS1 6AD
United Kingdom

Issue Date:

15 September 2022

Valid until the Renewal
Date:

14 September 2027

Subject to successful annual surveillance

Signed on behalf of Soil
Association Certification

Meriel Robson

Meriel Robson, Director of Forestry

CA-COC-006-18 June 2022 © Prepared by Soil Association Certification Limited
*This certificate is only valid for sale of FSC products when accompanied by a current product schedule. Validity of this certificate shall also be verified by checking the FSC database: info.fsc.org or by contacting Soil Association Certification: forestry@soilassociation.org
This Certificate is the property of Soil Association Certification Ltd and all copies or reproductions of the certificate shall be destroyed or returned to the Soil Association Certification Ltd immediately, on request.
A description of the products, sites or services that are included in the scope of the certificate may be obtained from Soil Association Certification on request.
This certificate itself does not constitute evidence that a particular product supplied by the certificate holder is FSC certified (or FSC Controlled Wood). Products offered, shipped or sold by the certificate holder can only be considered covered by the scope of this certificate when the required FSC claim is clearly stated on invoices and shipping documents.





CERTIFICATE

RECOPACK KAĞIT AMBALAJ SANAYİ VE TİCARET LİMİTED ŞİRKETİ

İTOB OSB MAH. 10007. SOK. NO:7
MENDERES / İZMİR / TÜRKİYE

*Has been assessed and found to Comply with the Requirements of:
Denetlenmiş ve aşağıdaki standardın gerekliliklerine uygunluğu görülmüştür:*

ISO 45001:2018

*The Occupational Health and Safety Management System is applicable to:
İş Sağlığı Ve Güvenliği Yönetim Sistemi:*

SALES OF SACK AND BAGS FROM PAPER AND CARDBOARD

KÂĞIT VE KARTONDAN TORBA VE ÇANTA SATIŞI

Certificate Number: 2022/OHSMS/00111703
Belge Numarası: 2022/OHSMS/00111703

Initial Certification Date: 17.10.2022
İlk Belgelendirme Tarihi: 17.10.2022

Certification Period: 3 Years
Belgelendirme Periyodu: 3 Yıl

Certificate Validity Date: 16.10.2023
Belge Geçerlilik Tarihi: 16.10.2023



IQR Sertifikasyon Onayı



ACCREDITED
Management Systems
Certification Body
MSCB-135

IQR ULUSLARARASI BELGELENDİRME HİZMETLERİ LTD.ŞTİ.

Boşevler Mah. Kocayunus Sk. No:3 Arslan Han Plaza K.2 NİĞİLER / BURSA
Tel.: +90.224.266 00 16 Faks: +90.224.249 41 13 www.iqcert.com e-posta: info@iqcert.com



CERTIFICATE

RECOPACK KAĞIT AMBALAJ SANAYİ VE TİCARET LİMİTED ŞİRKETİ

İTOB OSB MAH. 10007. SOK. NO:7
MENDERES / İZMİR / TÜRKİYE

*Has been assessed and found to Comply with the Requirements of:
Denetlenmiş ve aşağıdaki standardın gerekliliklerine uygunluğu görülmüştür:*

ISO 9001:2015

*The Quality Management System is applicable to:
Kalite Yönetim Sistemi:*

MANUFACTURING OF SACK AND BAGS FROM PAPER AND CARDBOARD

KÂĞIT VE KARTONDAN TORBA VE ÇANTA İMALATI

Certificate Number: QMS-0101996
Belge Numarası: QMS-0101996

Initial Certification Date: 27.10.2021
İlk Belgelendirme Tarihi: 27.10.2021

Certification Period: 3 Years
Belgelendirme Periyodu: 3 Yıl

Certificate Validity Date: 26.10.2023
Belge Geçerlilik Tarihi: 26.10.2023



IQR Sertifikasyon Onayı



ACCREDITED
Management Systems
Certification Body
MSCB-135

IQR ULUSLARARASI BELGELENDİRME HİZMETLERİ LTD.ŞTİ.

Beşevler Mah. Kocayunus Sk. No:3 Arslan Han Plaza K:2 Nilüfer / BURSA
Tel.: +90.224.268 00 16 Faks: +90.224.249 41 13 www.iqrcert.com e-posta: info@iqrcert.com



SERTİFİKA / CERTIFICATE
RECOPACK KAĞIT AMBALAJ SANAYİ VE TİCARET LİMİTED ŞİRKETİ
İTOB OSB MAH. 10007 SOK. NO: 7 MENDERES / İZMİR / TURKEY

Denetlenmiş ve aşağıdaki standardın gerekliliklerine uygunluğu görülmüştür:

Has been assessed and found to Comply with the Requirements of:

ISO 10002:2018
MÜŞTERİ MEMNUNİYETİ YÖNETİM SİSTEMİ
Customer Satisfaction Management System

Kuruluşunun "KAĞIT VE KARTONDAN TORBA VE ÇANTA İMALATI (KESE KAĞIDI DÂHİL)" Kapsamı İçin
For scope "MANUFACTURING OF PAPER AND CARTON BAG AND BAGS (INCLUDING BAG BAG)"

Sertifika Numarası / Certificate Number
İlk Yayın Tarihi / Certificate Issue Date
Sertifika Geçerlilik Tarihi / Certificate Validity Date
Sertifika Periyodu / Certificate Period

: NVA-CM-22100303
: 14.10.2022
: 14.10.2023
: 1 Yıl / 1 Year



NVA denetim yürütülmesinde gerekli itina ve yerlilik göstermesine rağmen büyük ihmallerde dahil sorumluluk kabul etmeyecektir. Bu belgenin mülkiyet hakkı NVA aittir ve istenildiğinde iade edilmelidir.
NVA control the conduct of standards. Although due care and competence, including gross negligence will not accept responsibility. This document or proprietary rights owned by NVA and must be returned upon request.

NVA KALİTE TEST ÖLÇÜM HİZMETLERİ EĞİTİM VE BELGELENDİRME TİC. LTD. ŞTİ.
Beykıldız OSB Mahallesi 3. Cadde HGS İnşaat Corner Office Apt. No: 8/55 Beykıldız / İSTANBUL / TURKEY
Tel: +90 212 855 58 98 www.nvabelen.com info@nvabelen.com



CERTIFICATE

RECOPACK KAĞIT AMBALAJ SANAYİ VE TİCARET LİMİTED ŞİRKETİ

İTOB OSB MAH. 10007. SOK. NO:7
MENDERES / İZMİR / TÜRKİYE

*Has been assessed and found to Comply with the Requirements of:
Denetlenmiş ve aşağıdaki standardın gerekliliklerine uygunluğu görülmüştür:*

ISO 14001:2015

*The Environmental Management System is applicable to:
Çevre Yönetim Sistemi:*

MANUFACTURING OF SACK AND BAGS FROM PAPER AND CARDBOARD

KÂĞIT VE KARTONDAN TORBA VE ÇANTA İMALATI

Certificate Number: EMS-0101996
Belge Numarası: EMS-0101996

Initial Certification Date: 27.10.2021
İlk Belgelendirme Tarihi: 27.10.2021

Certification Period: 3 Years
Belgelendirme Periyodu: 3 Yıl

Certificate Validity Date: 26.10.2023
Belge Geçerlilik Tarihi: 26.10.2023



IQR Sertifikasyon Onayı



ACCREDITED
Management Systems
Certification Body
MSCB-135

IQR ULUSLARARASI BELGELENDİRME HİZMETLERİ LTD.ŞTİ.

Beşevler Mah. Kocayunus Sk. No:3 Arslan Han Plaza K:2 Nilüfer / BURSA
Tel.: +90.224.266 00 16 Faks: +90.224.249 41 13 www.iqrcert.com e-posta: info@iqrcert.com



SERTİFİKA / CERTIFICATE

RECOPACK KAĞIT AMBALAJ SANAYİ VE TİCARET LİMİTED ŞİRKETİ

İTOB OSB MAH. 10007 SOK. NO: 7 MENDERES / İZMİR / TURKEY

Denetlenmiş ve aşağıdaki standardın gerekliliklerine uygunluğu görülmüştür:

Has been assessed and found to Comply with the Requirements of:

ISO 22000:2018 GIDA GÜVENLİĞİ YÖNETİM SİSTEMİ *Food Safety Management System*

Kuruluşunun "KAĞIT VE KARTONDAN TORBA VE ÇANTA İMALATI (KESE KAĞIDI DÂHİL)" Kapsamı için
For scope "MANUFACTURING OF PAPER AND CARTON BAG AND BAGS (INCLUDING BAG BAG)"

Sertifika Numarası / Certificate Number

İlk Yayın Tarihi / Certificate Issue Date

Sertifika Geçerlilik Tarihi / Certificate Validity Date

Sertifika Periyodu / Certificate Period

: NVA-FM-22100301

: 14.10.2022

: 14.10.2023

: 1 Yıl / 1 Year



Belgelendirme Müdürü
Certification Manager

NVA denetim yürütülmesinde gerekli itina ve yetkinlik göstermesine rağmen büyük ihmallerde dahil sorumluluk kabul etmeyecektir.
Bu belgenin mülkiyet hakkı NVA'ya aittir ve istenildiğinde iade edilmektedir.

*NVA control the conduct of standards. Although due care and competence, including gross negligence will not accept responsibility.
This document or proprietary rights owned by NVA and must be returned upon request.*

NVA KALİTE TEST ÖLÇÜM HİZMETLERİ EĞİTİM VE BELGELENDİRME TİC. LTD. ŞTİ.
Beylikdüzü OSB Mahallesi 3. Caddesi HGG İnşaat Corner Office Apt. No: 8/55 Beylikdüzü / İSTANBUL / TURKEY
Tel: +90 212 855 58 98 www.nva.belge.com info@nva.belge.com





RECOPACK

Recycled Ecological Packaging

RECOPACK KAĞIT AMBALAJ SAN. VE TİC. LTD. ŞTİ.

İTOB OSB Mahallesi 10007 Nolu Sok.
No: 7 Menderes/İzmir, TÜRKİYE
T 0 232 220 52 52 M. 0 532 549 93 43
info@recopack.com.tr
www.recopack.com.tr

