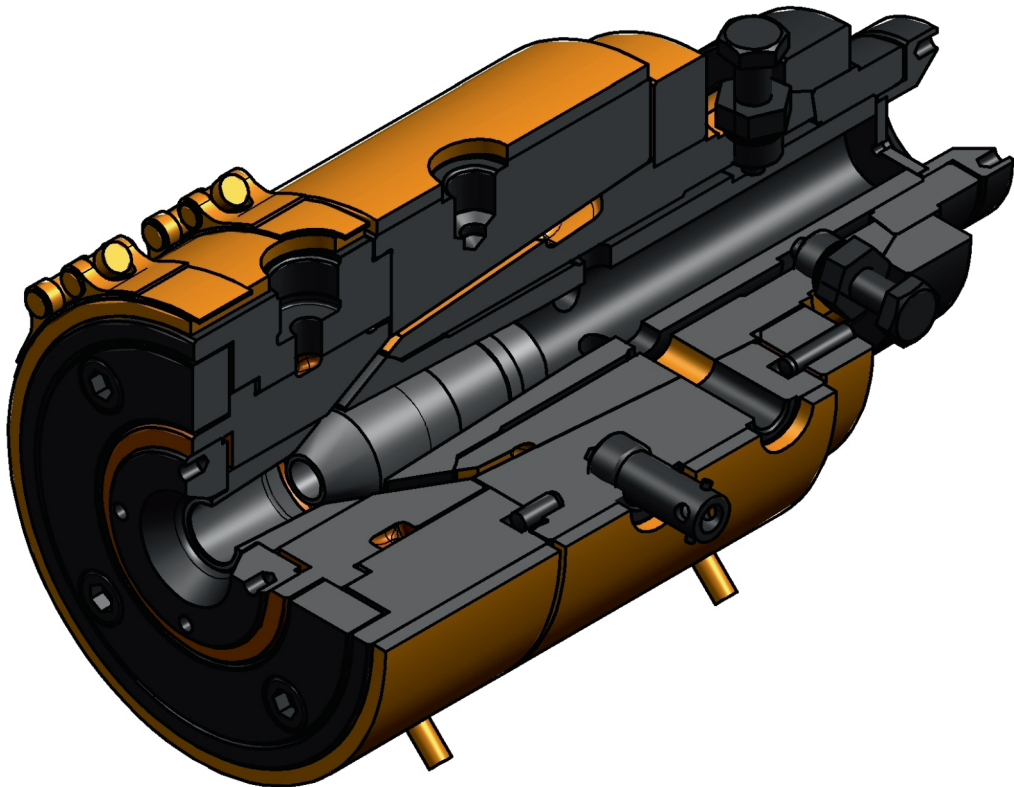




## Crosshead UXH1420SMC-V



### Crosshead UXH1420SMC-V

art.no. 2.0000.4001

- . proven quality
- . simple design
- . easy to use
- . easy to maintain

The UXH1420 crosshead series was designed for small stranded and solid conductors. This new design concept ensures a better distribution and higher flow rates. Our state of the art manufacturing combined to a manual centering ensures a nearly 100% concentricity level for your high-quality product.

### Field of application

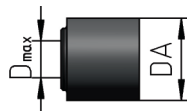
- . automotive cables
- . building wire
- . energy cables
- . jacketing



### Line direction

- . r/l
- . l/r
- . 0°, 90°, 180°

### Toolings



- .  $D_A = 35\text{mm}$  (1.378")
- .  $D_{\text{max}} = 18,5\text{mm}$  (.728")



- .  $d_A = 30,74\text{mm}$  (1.210")
- .  $d_{\text{max}} = 12\text{mm}$  (.472")

### Weight (approx. net)

- . 25,6kg (56,4lbs)

### Centering

- . manual-centering / fixed-centering

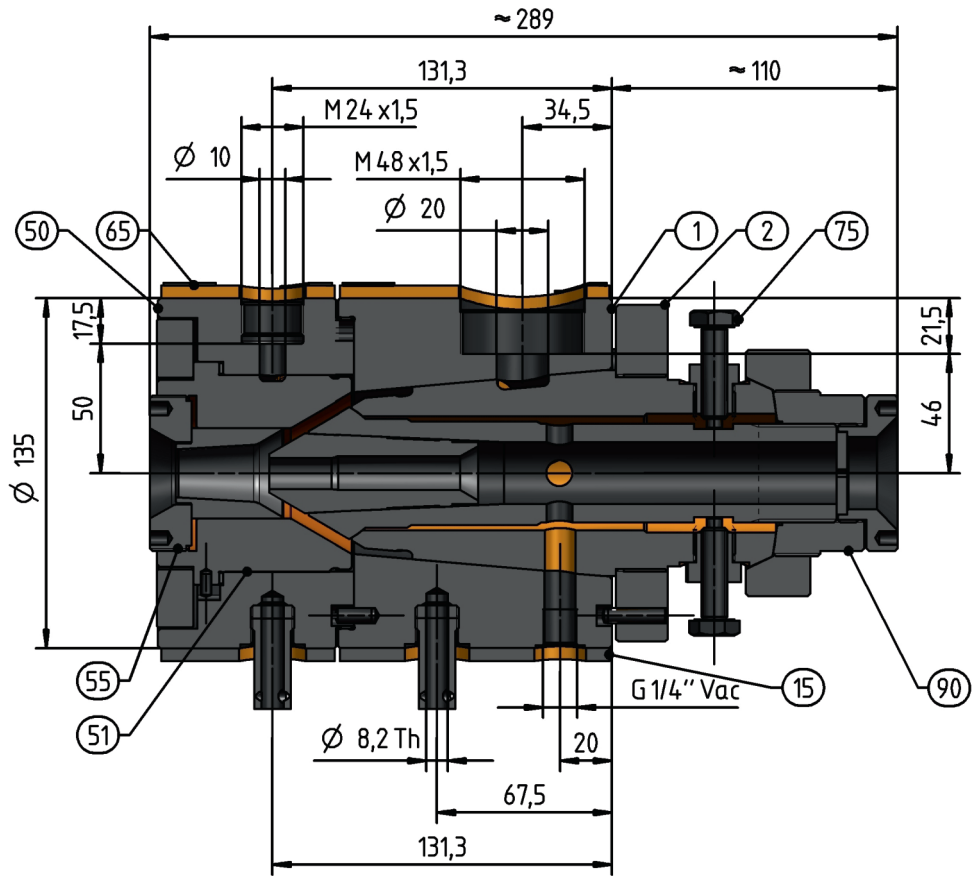
2.0000.5150-e-1



# UNITEK

We Make Leading Products Happen.

## Crosshead UXH1420SMC-V



### Main parts

1	basehead casing		55	die nut	
2	cartridge		65	fronthead heaterband	
15	heaterband	1300W	75	centering screws	800W
50	fronthead		90	centering device	
51	insert				

### Scope of delivery

- . 1/2-layer insert
- . tools for assembly & cleaning
- . support connection and rod
- . thermocouples
- . user manual & parts list

### Options

- . HFC & LV cartridges
- . cartridges for profile tools
- . single layer & stripe inserts
- . extrusion tools (wire guides & dies)
- . adapters
- . bypass systems
- . support trolleys

2.0000.5150-e-1

Unitek Maschinenbau- und Handels GmbH | Wien / Vienna | Österreich / Austria

tel: +43 - 1 - 3325510 | fax: +43 - 1 - 3325515 | email: office@unitek.at | web: www.unitek.at

DVR-Nr: 0178.349 | UID-Nr: ATU 150 76 101 | Registered at the commercial court Vienna CN: 102796x | Registered office: Vienna