



Bypass valve series UBP-R-6-M



Bypass valve UBP-R-6-M

art.no. 1.0432.0000, 1.0436.0000, 2.0000.0229

- . proven quality
- . simple design
- . easy to use
- . easy to maintain

The UBP-R-6-M is a bypass valve series designed for manual use. Its modular design can adapt to a multitude of crossheads and layout situations. On the extruder side, a custom adapter will connect to any extruder design, whereas on the crosshead side a big range of fixed or quick-coupling standard adapters is available.

Bore diameter ØF

- . 15mm
- . 20mm
- . 25mm

Drive

- . manual drive
- . wrench SW27

Weight (approx. net)

- . 6,1kg (13,4lbs)

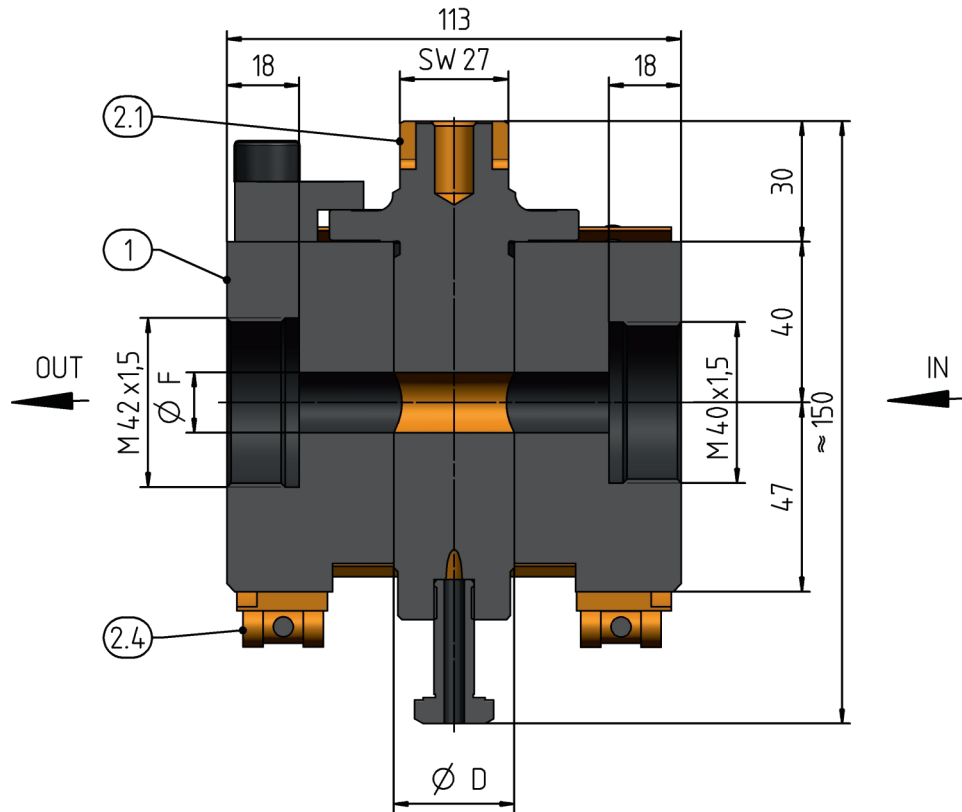
2.0000.6596-e-0



UNITEK

We Make Leading Products Happen.

Bypass valve series UBP-R-6-M



Main parts

1	casing	
2.1	piston	
15	heaterband	1000W

Scope of delivery

- . tools for assembly & cleaning
- . thermocouples
- . user manual & parts list

Options

- . extruder adapters
- . crosshead adapters
- . piston extraction device

2.0000.6596-e-0

Unitek Maschinenbau- und Handels GmbH | Wien / Vienna | Österreich / Austria

tel: +43 - 1 - 3325510 | fax: +43 - 1 - 3325515 | email: office@unitek.at | web: www.unitek.at

DVR-Nr: 0178.349 | UID-Nr: ATU 150 76 101 | Registered at the commercial court Vienna CN: 102796x | Registered office: Vienna