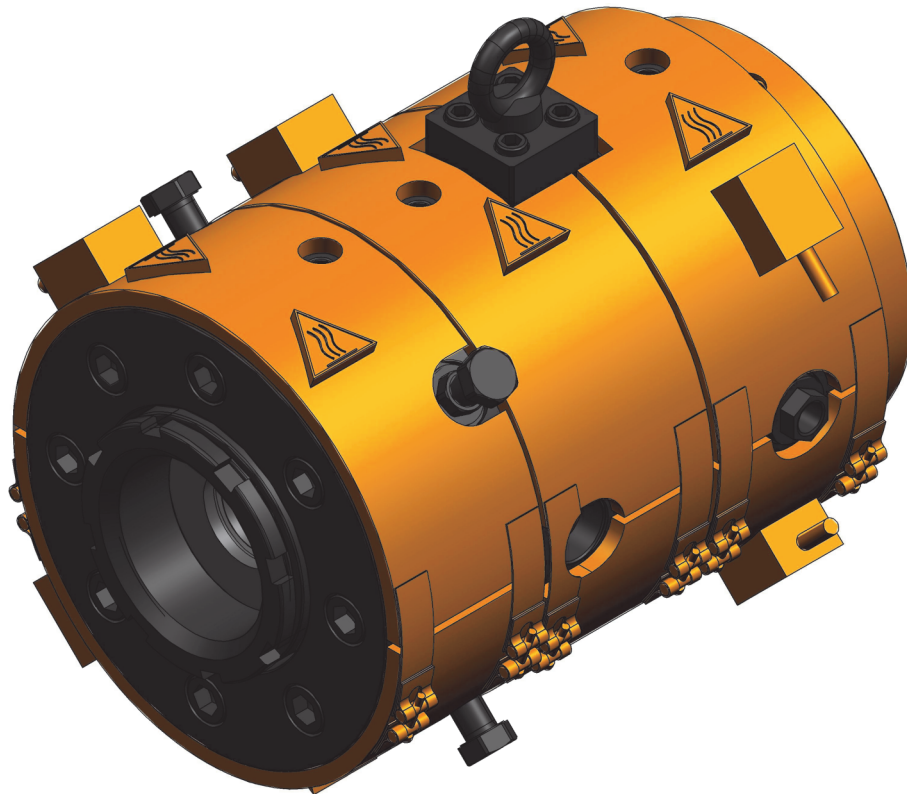




# UNITEK

We Make Leading Products Happen.

## Crosshead UXH85100MCC-V



### Crosshead UXH85100MCC-V

art.no. 2.0000.8427

- . proven quality
- . simple design
- . easy to use
- . easy to maintain

The UXH85100 crosshead series was designed for medium & large sized stranded & solid conductors. For more than 20 years this crosshead design is a guarantee for flexibility and liability. The state of the art manufacturing combined to manual centering system ensures a nearly 100% concentricity level for your high-quality products.

### Field of application

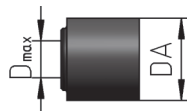
- . building wire
- . data cables
- . energy cables
- . jacketing



### Line direction

- . r/l
- . l/r
- . 0°, 90°, 180°

### Toolings



- .  $D_A = 130\text{mm}$  (5.118")
- .  $D_{\text{max}} = 100\text{mm}$  (3.937")



- .  $d_A = \text{M115x2}$  (Ø120)
- .  $d_{\text{max}} = 85\text{mm}$  (3.346")

### Weight (approx. net)

- . 195kg (430lbs)

### Centering

- . manual centering

2.0000.8703-e-0

Unitek Maschinenbau- und Handels GmbH | Wien / Vienna | Österreich / Austria

tel: +43 - 1 - 3325510 | fax: +43 - 1 - 3325515 | email: office@unitek.at | web: www.unitek.at

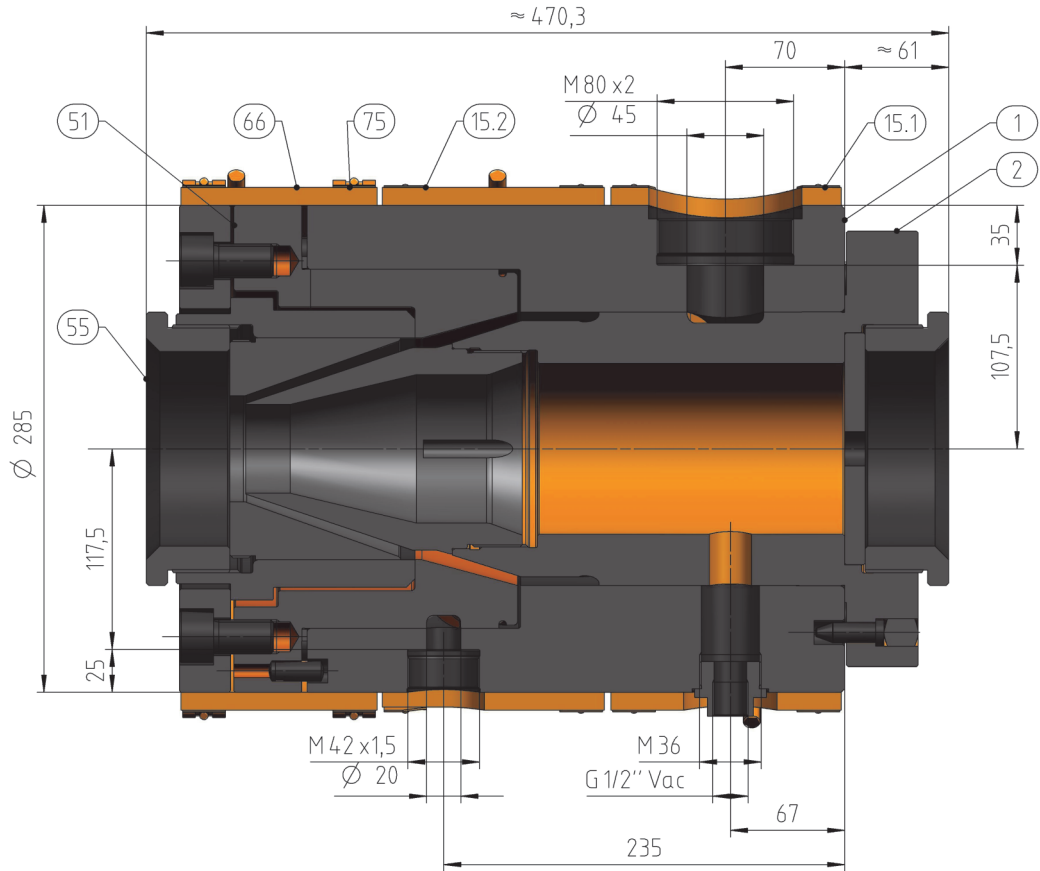
DVR-Nr: 0178.349 | UID-Nr: ATU 150 76 101 | Registered at the commercial court Vienna CN: 102796x | Registered office: Vienna



# UNITEK

We Make Leading Products Happen.

## Crosshead UXH85100MCC-V



### Main parts

1	basehead casing		
2	cartridge		
15.1	basehead heaterband #1	5000W	
15.2	basehead heaterband #2	5000W	
51	program insert		
55	die nut		
66	fronthead heaterband		5000W
75	centering screws		

### Scope of delivery

- . 1/2-layer insert
- . tools for assembly & cleaning
- . support connection and rod
- . thermocouples
- . user manual & parts list

### Options

- . single layer & stripe inserts
- . customized cartridges
- . cartridge support & exchange device (CED)
- . cartridges for profile tools
- . extrusion tools (wire guides & dies)
- . adapters
- . bypass systems

2.0000.8703-e-0

Unitek Maschinenbau- und Handels GmbH | Wien / Vienna | Österreich / Austria

tel: +43 - 1 - 3325510 | fax: +43 - 1 - 3325515 | email: office@unitek.at | web: www.unitek.at

DVR-Nr: 0178.349 | UID-Nr: ATU 150 76 101 | Registered at the commercial court Vienna CN: 102796x | Registered office: Vienna