



### **I Application**

The sanitary and cost-efficient design of the Hyginox SE centrifugal pump makes it particularly suitable as main process pump in the dairy, beverage, pharmaceutical and cosmetic industries.

### **I Design and features**

Hyginox SE is a range of close-coupled centrifugal pumps with sanitary design, compact and efficient. It is made of a cold-formed stainless steel casing, stainless steel open impeller (investment casting), mechanical seal, pump cover, lantern and shaft, connected to the motor shaft by mechanical compression.

The motor complies with the IEC standards, it is protected with a stainless steel shroud and provided with the height adjustable hygienically designed legs.

### **I Technical specifications**

#### Materials:

Parts in contact with the product	Stainless steel AISI 316L (1.4404)
Other steel parts	Stainless steel AISI 304 (1.4301)
Gaskets in contact with the product	EPDM (according to FDA and EC 1935/2004)

Single internal mechanical seal EN 12756 I1k (according to FDA and EC 1935/2004):

Rotary part	Carbon (C)
Stationary part	Silicon carbide (SiC)
Gaskets	EPDM

#### Surface finish:

Internal	Ra<0,8 µm
External	Matt

Connections: DIN 11851

#### Operating limits:

Nominal pressure	10 bar	145 PSI
Temperature range	-10°C to +120 °C	14 °F to 248 °F
	+140°C (SIP, max- 30 min.)	284 °F
Maximum flow	130 m³/h 5	72 US GPM
Maximum differential head	90 m	295 ft
Maximum speed	3500 rpm	



## I Motor

Triphasic induction motor with B34 flange (B35 for motor frame 132 and above), in compliance with the IEC standards, 2 poles = 3000/3600 rpm, efficiency class according to EC regulation, IP 55 protection and F-class insulation.

3 phases, 50 Hz, 230 V Δ / 400 V Y, ≤ 4 kW  
 3 phases, 50 Hz, 400 V Δ / 690 V Y, ≥ 5,5 kW

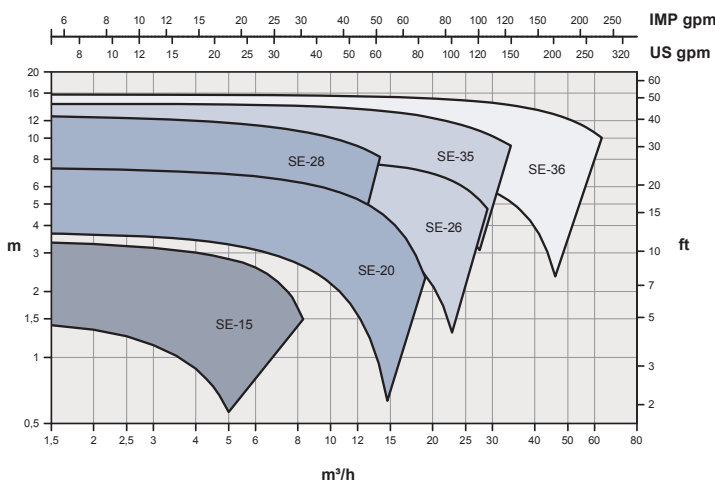
## I Options

SiC/SiC mechanical seal.  
 Gaskets: FPM and PTFE.  
 Jacketed pump housing.  
 Drain port.  
 Other connection types.  
 Motor with other voltages, frequencies, protection classes and efficiencies.  
 Trolley and/or control panel.  
 ATEX certification.

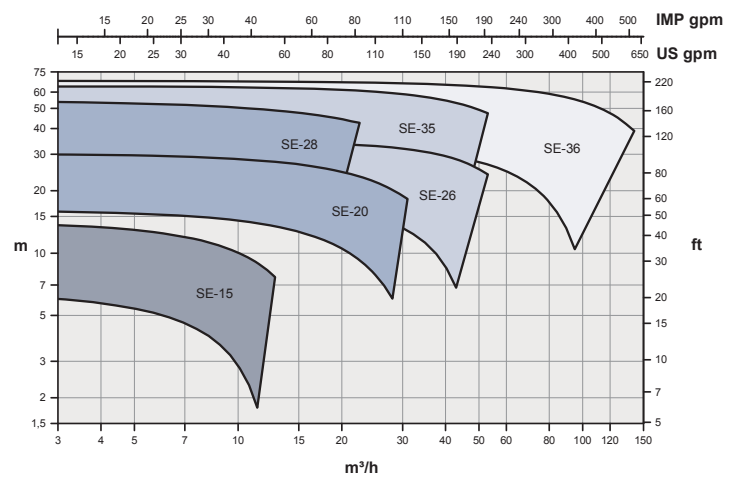
## I Performance charts

50 Hz

1450 rpm

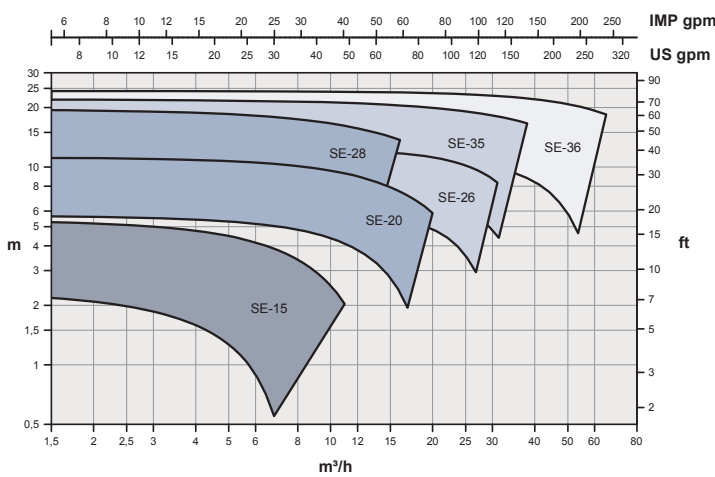


2900 rpm

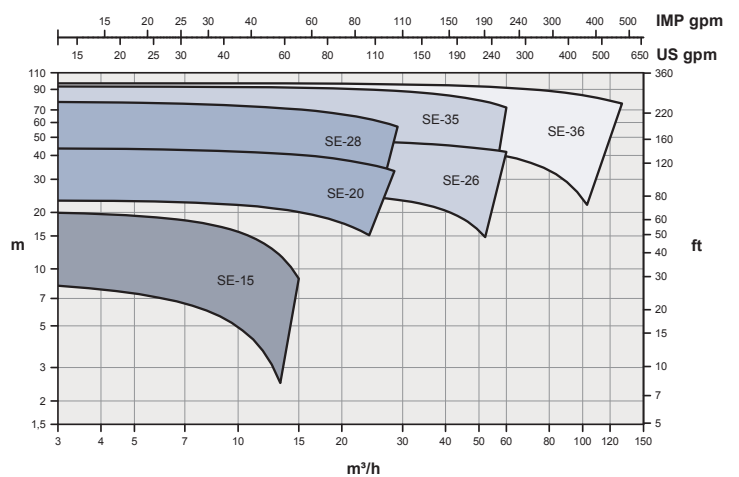


60 Hz

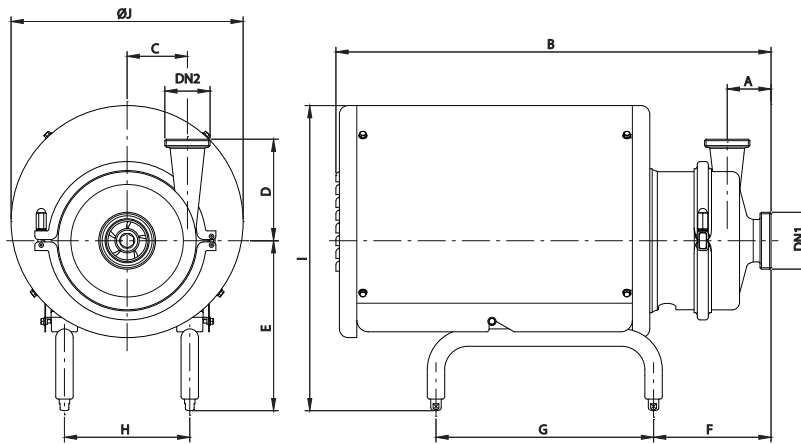
1750 rpm



3500 rpm



I Dimensions: Hyginox SE

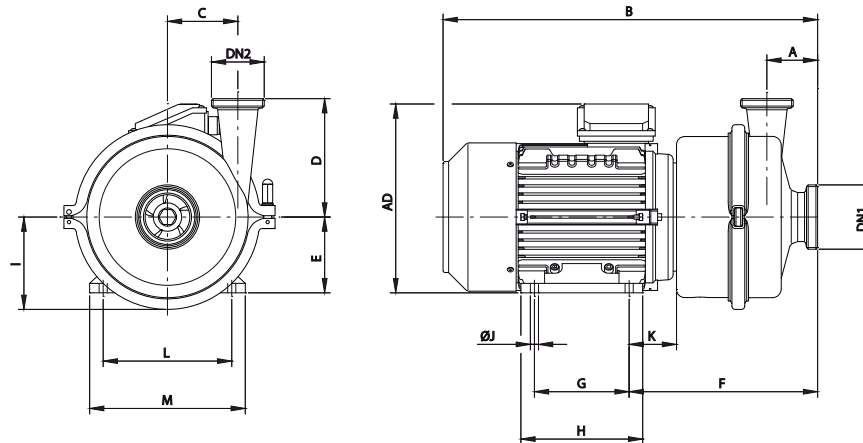


Pump	Size	Motor		DN1	DN2	A	B	C	D	E	F	G	H	I	ØJ	kg	
		kW	rpm														
SE-15	A	71	0,25	1450	40	32	440	55	100	203	111	250	112	350	230	14	
			0,55													15	
	B	80	0,75	2950			22										
C	90S	1,1	24														
SE-20	C	90S	1,1	1450	50	40	530	74	140	227	154	275	132	415	290	30	
			1,5													29	
	D	100	2,2	2950			31										
			3				43										
E	112	4	605	278	159	325	175	490	350	49							
SE-26	C	90S	1,1	1450	65	50	540	72	150	227	162	275	132	415	290	31	
			3													43	
	E	112	4				2950			610	278	166	325	175	490	350	50
			5,5							56							
			7,5							71							
F	132S	7,5	740	293	192	375	216	530	400	79							
SE-28	C	90S	1,1	1450	40	40	535	106	165	227	157	275	132	415	290	36	
			3													48	
	E	112	4				2950			610	278	161	325	175	490	350	55
			5,5							61							
			5,5							76							
F	132S	7,5	740	293	188	375	216	530	400	84							
SE-35	D	100	2,2	1450	65	50	620	104	175	266	168	325	175	480	350	49	
			3													54	
	E	112	5,5				2950			278	175	325	175	490	62		
			5,5							76							
	F	132S	7,5				2950			293	202	375	216	530	400	85	
			11							98							
G	160M	11	2950	885	367	242	475	267	645	465	134						
		15		154													
SE-36	D	100	2,2	1450	100	65	620	98	181,5	266	168	325	175	480	350	52	
			3													57	
	E	112	4				2950			278	175	325	175	490	63		
			7,5							88							
	F	132S	11				2950			293	202	375	216	530	400	101	
11			136														
G	160M	15	885	367	253	475	267	645	465	156							

Dimensions with DIN 11851 connections



**I Dimensions: Hyginox SE without shroud and without legs**



Pump	Size	Motor kW	rpm	DN1	DN2	A	B	C	D	E	F	G	H	AD	I	ØJ	K	L	M	kg							
SE-15	A	71	0,25	40	32	55	375	55	100	71	202	90	105	185	80	7	45	112	140	10							
			0,55																							11	
	B	80	0,75				2950			420	80	231	100	130		215	10	50	125	160	18						
	C	90S	1,1				445			90	237	100	130	235		10	56	140	180	22							
SE-20	C	90S	1,1	50	40	55	450	74	140	90	237	100	130	235	105	10	56	140	180	24							
			1,5																							23	
	D	90L	2,2				2950			470	100	255	125	155		260	12	63	160	200	34						
		E	100				3			510	112	262	140	180		280		70	190	230	41						
SE-26	E	112	4	65	50	55	530	72	150	112	268	140	180	280	105	10	56	140	180	25							
			5,5																							34	
	F	132S	7,5				2950			545	112	268	140	180		280	12	63	160	200	34						
																											41
																											47
SE-28	C	90S	1,1	40	40	65	450	106	165	90	240	100	125	235	137	10	56	140	180	30							
			3																							39	
	D	100	3				2950			525	100	257	140	180		260	12	63	160	200	34						
		E	112				4			540	112	264	140	180		280		70	190	230	46						
		F	132S				5,5			600	132	306	190	320		150		112	216	260	52						
SE-35	F	132S	7,5	65	50	75	610	104	175	132	320	178	230	320	150	12	63	160	200	41							
			11																							45	
	G	160M	11				2950			650	160	375	210	265		405	15	167	254	315	116						
			15																								136
																											65
																											74
SE-36	D	100	2,2	100	65	75	540	981	181,5	100	271	140	180	260	137	12	63	160	200	43							
			3																							48	
	E	112	4				2950			555	112	278	178	230		320	150	112	216	260	54						
		F	132S				7,5			610	132	320	178	230		320	150	112	216	260	77						
		G	160M				11			650	160	375	210	265		405	15	167	254	315	90						
			15																	118							
																				138							

Dimensions with DIN 11851 connections

