



15CH Tubular Motor Remote Control

- 1- User-friendly,easy to programming, manual and vedio available.
 - 2- High quality packing, 1pc per white box
 - 3- Durable and the color will never fade,water plating ensure the endorance.
 - 4- Stylish design & comfortable feel,about 100 models available for you.
 - 5- Power: Long lifetime, 1 year warranty.
 - 6- Popular model, new designs available each reason.
 - 7- Good quality and reasonable price, factory directly.
-

PRODUCT INTRODUCTION

Brand Name	Tapan
Transmission Distance	100meters (open space)
Frequency Customized	315MHZ,390MHZ,433MHZ,868MHZ ect
Encoding type	Learning code:HS1527,HS2240,HT6P20B,HT6P20D etc Single chip microcomputer
Voltage	3v
Certification:	CE,ROHS,FCC
Size	135*44*10mm









Hot Tags: 15ch tubular motor remote control, China, manufacturers, suppliers, factory, wholesale, Electric Roller Blind Motor, Projector Screen Motor, 45mm Roller Shutter Tube Motor, Automatic Screen Motor, Craftsman Garage Door Motor, 59mm Rolling Shutter Door Motor

← Tubular Motor Remote Control Voice Control

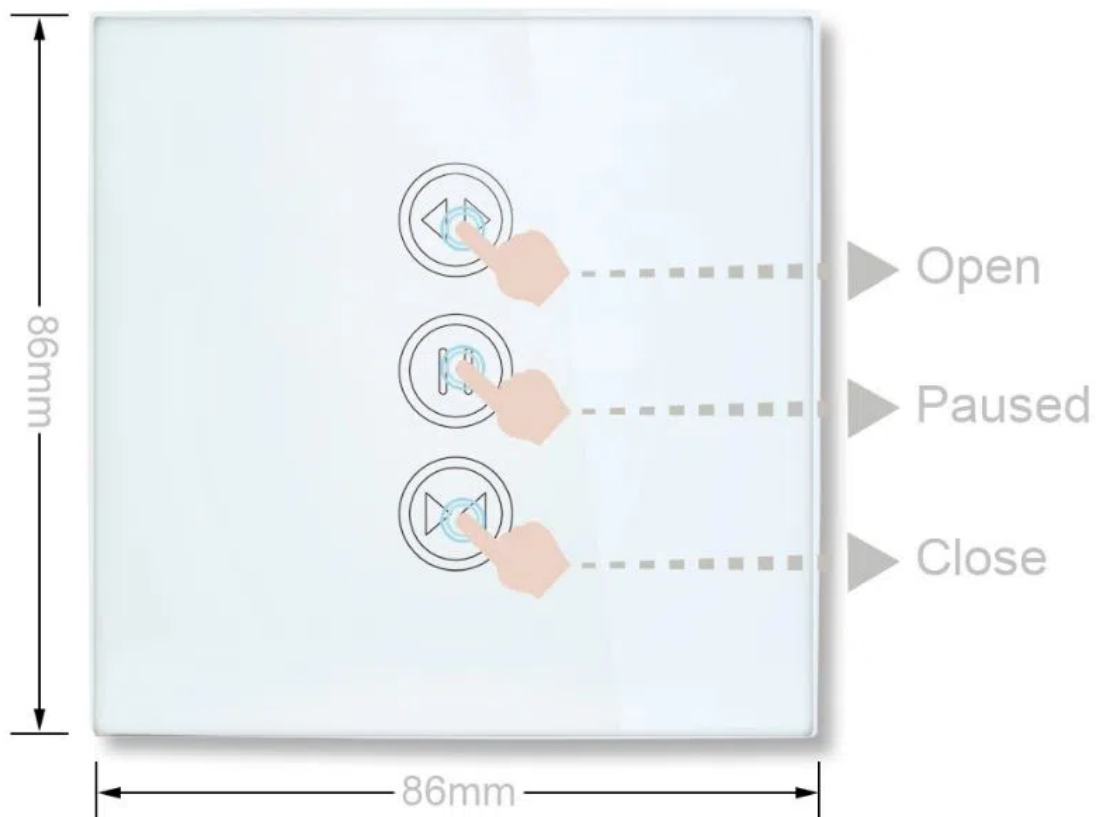
Tubular Motor Single Channel Wall Receiver →

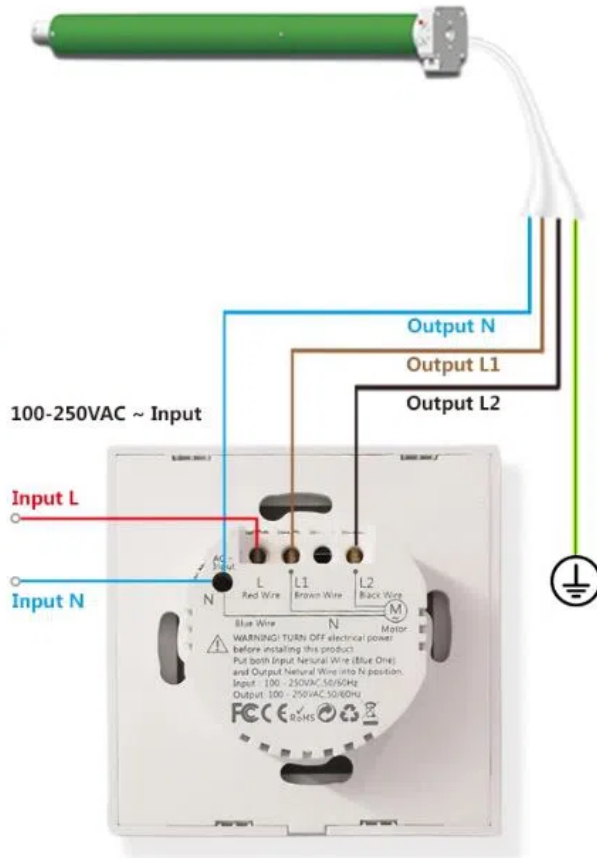
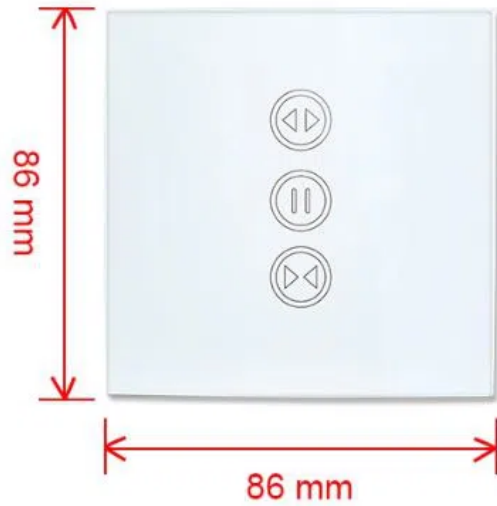


Tubular Motor Remote Control Voice Control

PRODUCT INTRODUCTION

Product Name	Tubular Motor Remote Control Voice Control
Function	Make your roller shutter smart
Timer	Timer when to open or close automatically
Input/Output Voltage	100-250VAC
Max. Power	600W
Switch	Touch Switch with Glass Panel
Remote Control	Mobile App remote control anywhere
Voice Control	Google Home, Amazon Alexa





Hot Tags: tubular motor remote control voice control, China, manufacturers, suppliers, factory, wholesale, Electric Tubular Motor, Roller Shutter Tubular Motor, Blind Window Electric Curtain Motor, Rollerhouse 16mm Tubular Motor, Tubular Motor For Projection Screen, Standard Tubular Motor For Roller



Tubular Motor Single Channel Wall Receiver

With touch switch function

Can control a set of tubular motors

Up to 20 transmitter channels can be stored

Maximum suitable for 50N.m

Operating temperature : -20°C~+55°C

Tubular Motor Single Channel Wall Receiver

1. With touch switch function
2. Can control a set of tubular motors
3. Up to 20 transmitter channels can be stored
4. Maximum suitable for 50N.m
5. Operating temperature : $-20^{\circ}\text{C}\sim+55^{\circ}\text{C}$



