

# OTTOMAN FAST FOOD FRYER



**OTX-7DGFF 8**  
**OTX-9DGFF 8**



**OTX-7DGFF 4**  
**OTX-9DGEF 4**

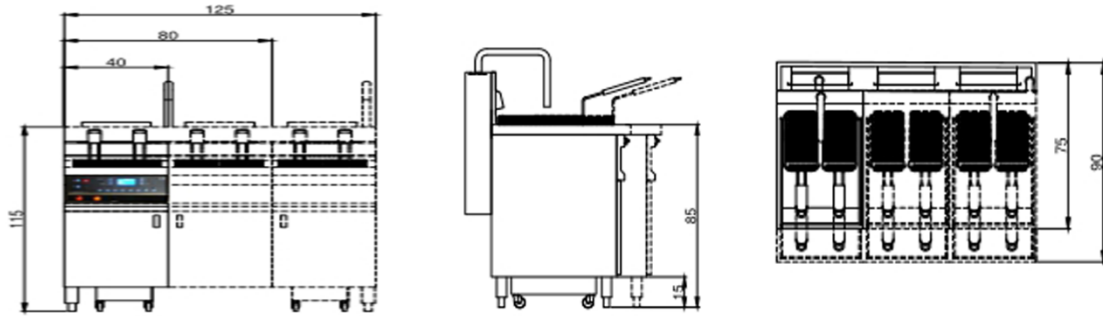
## Technical Specifications

- Stainless steel body
- Working with LPG or NATURAL GAS
- Analog control
- Thermostatic control
- Quickly heating and cooking
- Special stainless-steel fast-food baskets
- 8 different program selection
- Reset button for emergency
- Special thermostat (Homogenic heating)
- Automatic filtration system
- Automatical Burning System (Honeywell ®)
- Warning beep

- |                          |                   |
|--------------------------|-------------------|
| <input type="checkbox"/> | APPROVED          |
| <input type="checkbox"/> | APPROVED AS NOTED |
| <input type="checkbox"/> | RESUBMIT          |

AUTHORIZED SIGNATURE

DATE



MODEL	HEIGHT (cm)	WIDTH (cm)	DEPTH (cm)	WEIGHT (kg)
OTX-7DGFF 4	90	40	75	65
OTX-7DGEF 8	90	80	75	85
OTX-9DGEF 4	90	40	90	75
OTX-9DGFF 8	90	80	90	95
OTX-FSG 120 – 3	90	125	90	120

**BASKET**

MODEL	HEIGHT (cm)	WIDTH (cm)	DEPTH (cm)
DEPTH 75	26	24	18
DEPTH 90	36.5	13	15.5

**Required clearances**

Top: 3,56 cm  
 Sides: 1,52 cm  
 Back: 1,52 cm  
 Front: 7,62 cm

**Laboratory certifications**



MODEL	OTX-7DGFF 4		OTX-7DGFF 8		OTX-9DGFF 4		OTX-9DGFF 8	
<b>THERMAL POWER (KW) (Hi)</b> ΣQN Btu/hr	12 Kw 40945,704 Btu/hr		2 x 12 Kw 81891,408 Btu/hr		22 Kw 61418,556 Btu/hr		2 x 22 Kw 122837,112 Btu/hr	
<b>TOTAL ELECTRICITY POWER (KW)</b>	0.5		0.5		0.5		0.5	
<b>ELEKTRICITY SUPPLY VOLTAGE (VAC)</b>	<b>WITHOUT FILTER</b>	<b>WITH FILTER</b>	<b>WITHOUT FILTER</b>	<b>WITH FILTER</b>	<b>WITHOUT FILTER</b>	<b>WITH FILTER</b>	<b>WITHOUT FILTER</b>	<b>WITH FILTER</b>
	220 V	380 V	220 V	380 V	220 V	380 V	220 V	380 V
<b>WORKING FREQUENCY (Hz)</b>	50-60 Hz		50-60 Hz		50-60 Hz		50-60 Hz	
<b>GAS INLET (inch)</b>	½" R		½" R		½" R		½" R	
<b>NATURAL GAS OR LPG PRESSURE (mbar)</b>	20-25		20-25		20-25		20-25	
<b>SUPPLY CABLE, NUMBER OF SEAM (Number of Seam X mm<sup>2</sup>)</b>	<b>WITHOUT FILTER</b>	<b>WITH FILTER</b>	<b>WITHOUT FILTER</b>	<b>WITH FILTER</b>	<b>WITHOUT FILTER</b>	<b>WITH FILTER</b>	<b>WITHOUT FILTER</b>	<b>WITH FILTER</b>
	3x1,5	5x1,5 + 1,5 (N) + 1,5 (Gr)	3x1,5	5x1,5 + 1,5 (N) + 1,5 (Gr)	3x1,5	5x1,5 + 1,5 (N) + 1,5 (Gr)	3x1,5	5x1,5 + 1,5 (N) + 1,5 (Gr)
<b>TYPE</b>	A1		A1		A1		A1	
<b>THERMOSTAT INTERVAL (°C)</b>	50-180		50-180		50-180		50-180	
<b>MAX INCLINATION</b>	5°		5°		5°		5°	

MODEL		OTX-FSG 120 3	
THERMAL POWER (KW) (Hi) ΣQN Btu/hr		3 x 22 Kw 2,252 01×105 BTU/h	
TOTAL ELECTRICITY POWER (KW)		0.5	
ELEKTRICITY SUPPLY VOLTAGE (VAC)		WITHOUT FILTER 220 V	WITH FILTER 380 V
WORKING FREQUENCY (Hz)		50-60 Hz	
GAS INLET (inch)		½" R	
NATURAL GAS OR LPG PRESSURE (mbar)		20-25	
SUPPLY CABLE, NUMBER OF SEAM (Number of Seam X mm <sup>2</sup> )		WITHOUT FILTER 3x1,5	WITH FILTER 5x1,5 + 1,5 (N) + 1,5 (Gr)
TYPE		A1	
THERMOSTAT INTERVAL (°C)		50-180	
MAX INCLINATION		5°	

## CONTROL PANEL

