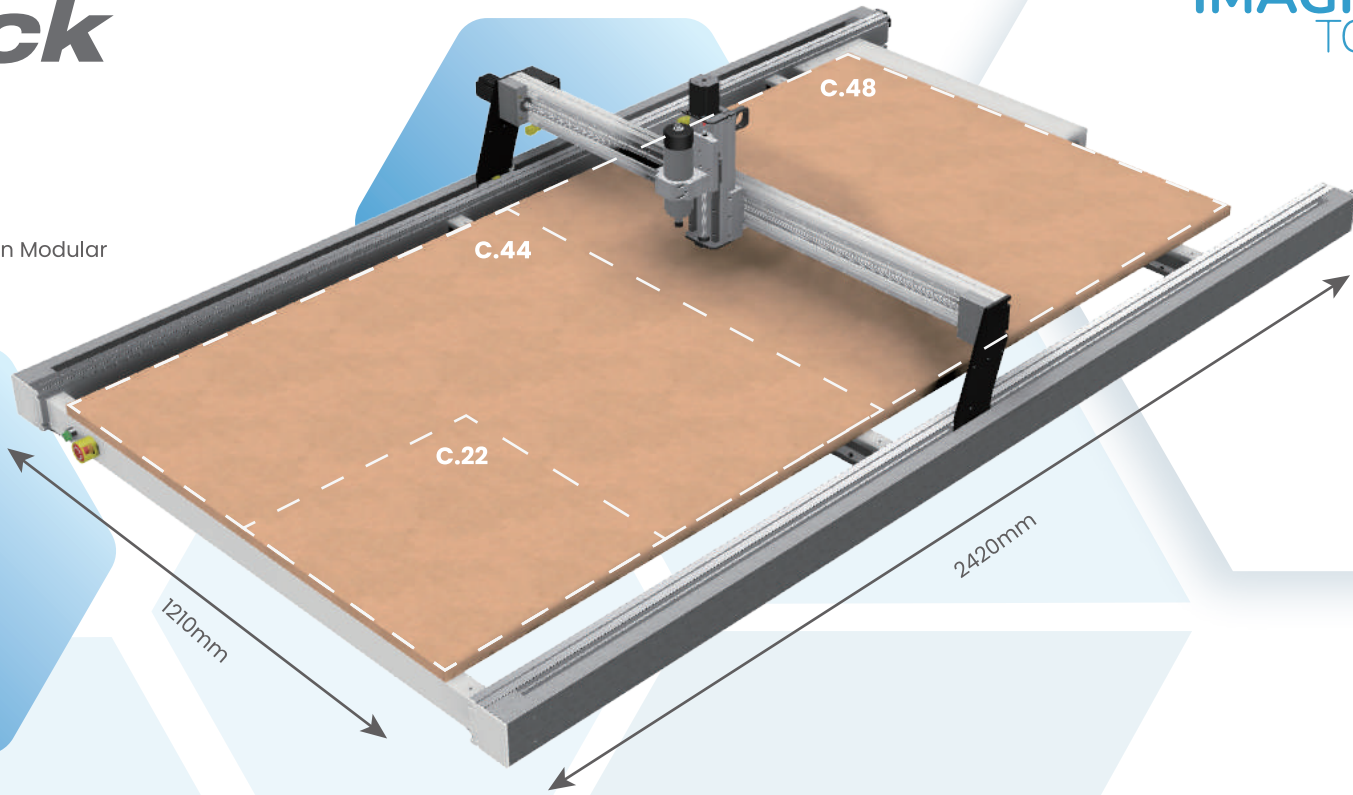


- Electricity for 115V
- Precision Ball Screw
- i-cnc controller
- Adjustable Height of Z-Axis
- Intuitive Quick Setup / Tear Down Modular
- Optional : Laser Kit



Item No.	C.22
Machine Travel	24" (610mm) x 24" (610mm) x 5.5" (140mm)
Spindle Power	Optional : Makita Router
Maximum Speed	-
Transmission	-
Spindle Collet	-
Thread Machining	Mill/ Engraving
Max. Feed-X&Y Axis	5m / min
Max. Feed-Z Axis	3m / min
Axis Motor	Stepper Driven
Power Required	Single-Phase115 Vac, 50/60 Hz, 15A breaker
Positioning Accuracy	0.003" / ±0.1mm
Repeatability	0.007" / ±0.2mm
Machine Size	948 x 1020mm (sawhorse height : 820mm)
Overall System Height	628mm
Typical System Weight	36kgs

Item No.	C.44
Machine Travel	48" (1210mm) x 48" (1210mm) x 5.5" (140mm)
Spindle Power	1HP (0.8Kw)
Maximum Speed	24,000 rpm
Transmission	Built-in spindle
Spindle Collet	ER11 / Grease Packed / Air Cooled
Thread Machining	Mill/ Engraving
Max. Feed-X&Y Axis	5m / min
Max. Feed-Z Axis	3m / min
Axis Motor	Stepper Driven
Power Required	Single-Phase115 Vac, 50/60 Hz, 15A breaker
Positioning Accuracy	0.003" ±0.1mm
Repeatability	0.007" ±0.2mm
Machine Size	1553 x 1625mm (sawhorse height : 820mm)
Overall System Height	628mm
Typical System Weight	60kgs

Item No.	C.48
Machine Travel	48"(1210mm) x 96"(2420mm) x 5.5" (140mm)
Spindle Power	1HP (0.8Kw)
Maximum Speed	24,000rpm
Transmission	Built-in spindle
Spindle Collet	ER11 / Grease Packed / Air Cooled
Thread Machining	Mill/ Engraving
Max. Feed-X&Y Axis	5 m/min
Max. Feed-Z Axis	3 m/min
Axis Motor	Stepper Driven
Power Required	Single-Phase115 Vac, 50/60 Hz, 15A breaker
Positioning Accuracy	0.003" ±0.1mm
Repeatability	0.007" / ±0.2mm
Machine Size	2773 x 1586mm (sawhorse height : 820mm)
Overall System Height	628mm
Typical System Weight	95kgs