

About us

PAKEA has more than **40 years' experience** as an engineering and manufacturing company supplying equipment for the **paper converting and packaging industries**. Covering a wide range of equipment, PAKEA has developed an experience and know-how supplying more than **1,000 different customers worldwide** from its European base. With a team of 70+ employees, PAKEA has grown throughout the years to become the leading company in its sector, recognized for **innovation, customization, high performance**, as well as the quality of its supplies and after-sales service.

NSC Groupe

With more than 200 years of history, NSC GROUPE was founded by the Schlumberger family. Quoted on the Paris stock exchange, NSC GROUPE is present around the world in the textile, packaging, environment and subcontracting industries.

Since 2000, PAKEA is part of the of NSC GROUPE Packaging division, which also includes companies MONOMATIC (non-stop un-winding and re-winding equipment) and FEGE (robotics and end-of-line handling equipment).



pakea

5A rue Gutenberg
CS 70109
68172 RIXHEIM Cedex
FRANCE

+ 33 389 54 27 33
pakea@pakea.eu

Worldwide presence

Multilingual and multicultural sales team

Roving commissioning and after-sales mechanical and automation technicians

Network of local representatives and agents

North-American remote sales and service office:

nsc usa inc.

1299 Schlumberger Drive
FORT MILL, SC 29715 - USA
+1 803 548 72 33
nscsales@nscusa.com

pakea
nsc
packaging

Paper converting & packaging equipment

Standard and customized solutions for the production of paper tubes, paper profiles and composite cans.



Our customers around the world

pakea

www.pakea.eu

pakea packaging

PAKEA designs and manufactures paper and composite cans production lines and equipment able to meet a large range of specifications and production capacities

Can bodies production lines

using multi-layer laminating process to produce round or non-round, semi-rigid to rigid, low to high barrier properties paper and composite cans

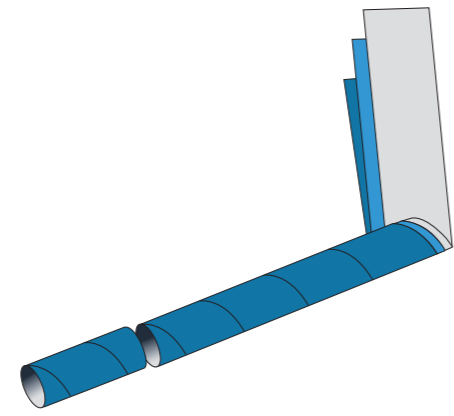
- Spiral wound can bodies production line with spiral or parallel labelling
- SIRPAK® round and non-round linear continuous can bodies maker
- PRISMAPAK® "ready-to-be-filled" round and non-round cans forming machine



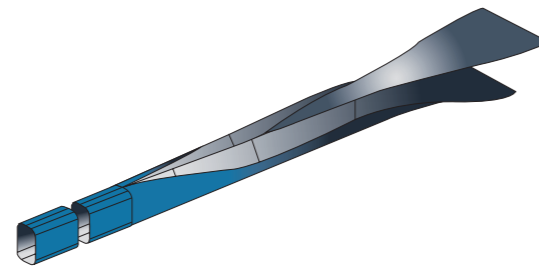
Top or bottom cans closing machines

for pre- or post-filling closures, including paper ends, plastic or metal lids, peelable or recessed membranes, NeoPAK® paper closure and finishing solutions

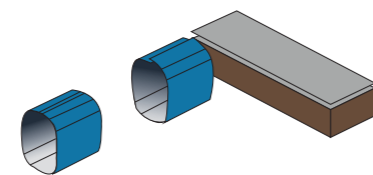
- Cans closing and finishing machines PAKINA and MULTIPAK
- Cans after-filling closing and finishing machine LCM



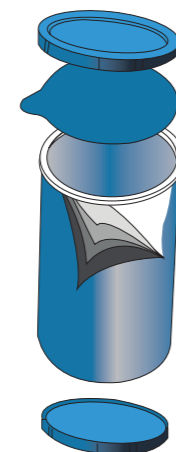
Spiral wound cans



SIRPAK® cans



PRISMAPAK® cans



Benefits of our solutions



Precision



High production efficiency



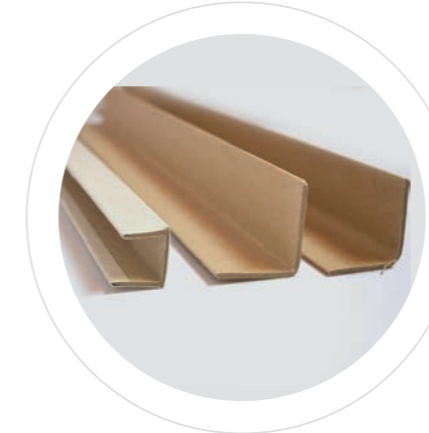
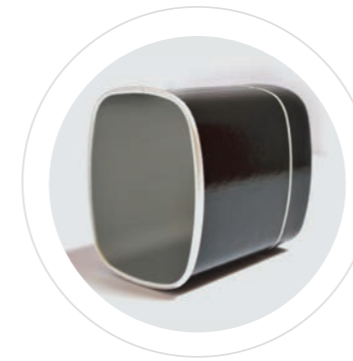
Eco-friendly solutions



Low operating and maintenance costs



Economical and versatile production



pakea converting

PAKEA designs and manufactures paper tubes, paper profiles and fibre drums production lines, as well as special machines for the paper converting industry able to meet a large range of specifications and production capacities

Paper tube spiral winding production lines

- Un-winding systems from simple manual to fully automatic (incl. splicing)
- Gluing units from simple cascade to high precision plies spreading and angles parallelogram system
- Spiral winders with 2 and 4 heads
- In-line cutters from semi-automatic single knife to fully automatic multiple knives
- Re-cutters manual, semi-automatic or fully automatic

PAKEA also supplies semi-automatic or automatic interleaving tube palletizing systems, tubes bundling and strapping systems

Edge protectors and paper profiles production lines

- Un-winding systems from simple manual to fully automatic (incl. splicing)
- Cascade gluing units
- Profiling machine
- Laminating and pulling unit
- Pneumatic or electric in-line guillotine cutter

PAKEA also supplies palletizing systems, recutters, notchers and stacking systems for edge protectors and paper profiles

Fibre drums production lines

Semi-automatic and automatic round and square fibre drums production lines of various sizes

Special machines

- Convolute automatic winders for fiber drum bodies and heavy cores production
- Textile tubes finishing machines to perform operations such as bull-nose, polish, groove, slit/slot and notching automatically



Unwinding systems



Gluing systems



Spiral winders



Forming machines



In-line cutters & recutters



Palletizing systems