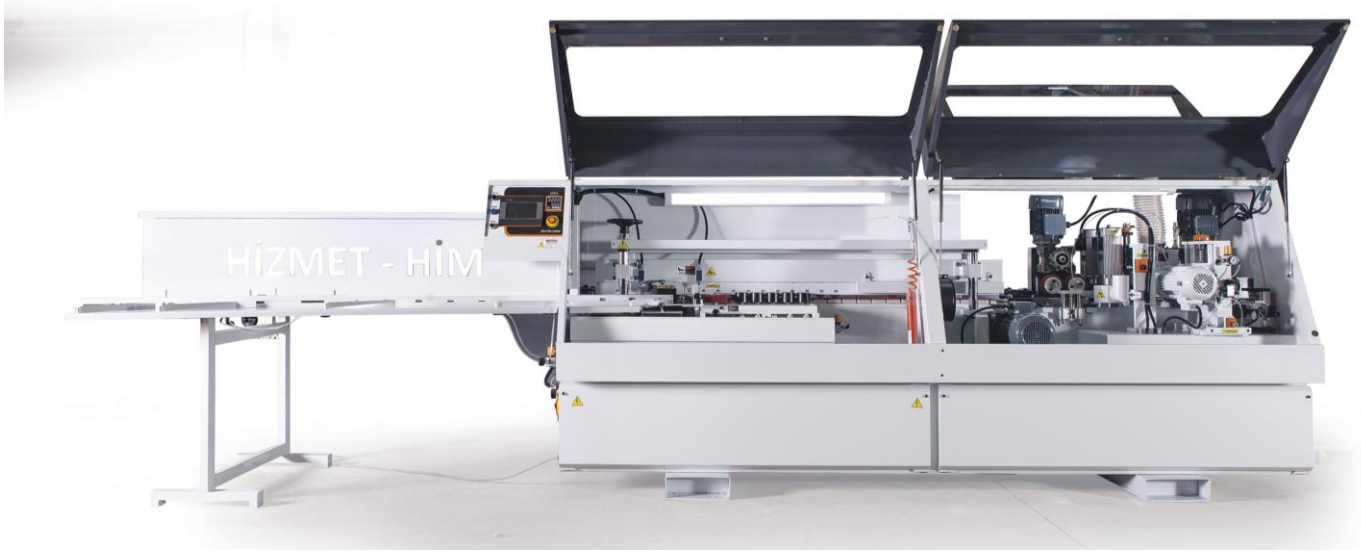


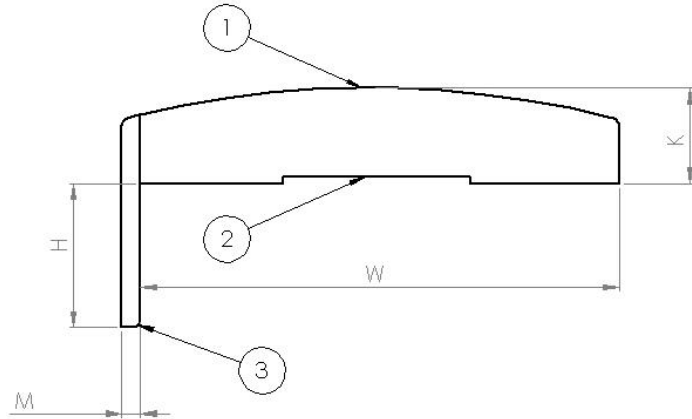
L-SHAPED MOULDING MACHINE DISHED (code: LMD 3520)



Description: Machine tool for gluing dished “L”-shaped jamb is one of the latest models of equipment produced under brand Hizmet Him for door sector. This machine, like the previous models, is used in the production of the door moldings for the door frames. Its distinctive feature is that with the help of this equipment you can produce both straight and convex (dished) moldings.

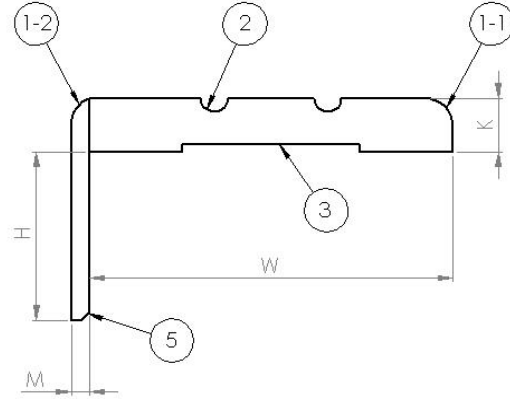
OPTION – 1

1	Dished (round) milling	
2	Opening of the juncture	
3	Chamfering	
	MIN, mm	MAX, mm
H	10	42
M	3	6
K	8	25
W	65	100



OPTION – 2

1-1	Right milling	
1-2	Left milling	
2	Grooving	
3	Opening of the juncture	
5	Chamfering	
	MIN, mm	MAX, mm
H	10	42
M	3	6
K	8	25
W	65	125



TECHNICAL PARAMETERS LMD 3520

Automatic feeding	+	Capacity of glue pot	4 kg
Right milling	+	Resistance power of the glue pot	3800 watt
Left milling	+	Total milling motor power	16 kW
Dished (round) milling	+	Output for sawdust	4 pcs
Opening of the juncture	+	Total electric power	19 kW
Grooving	+	Air pressure	6 bar
Chamfering	+	Mains voltage	380 V, 50 – 60 Hz
End zero cutting	-	Current intensity	78 A
Thickness of work piece	8 – 25 mm	Dimensions of the machine	6500 x 1200 x 1400 mm
Thickness of lath	3 – 6 mm	Working speed	10–25 m/min
Width of work piece	65 – 100 mm	Weight	≈1750 kg
Width of lath	18 – 65 mm	Head and end tolerance	5 mm
Dimensions of the transportation	4500 x 1200 x 1750 mm		