

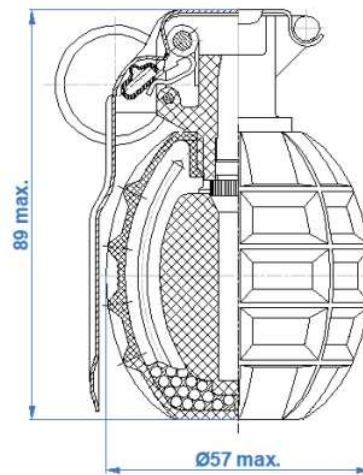


HAND GRENADES

- **Defensive Hand Grenade BR M75**
- **Offensive Hand Grenade BR-O M75**
- **Training Hand Grenade BRV M75**

➤ Defensive Hand Grenade BR M75

The BR M75 is a defensive fragmentation hand grenade. It is used in defensive operations during the final phase of the close-in battle.

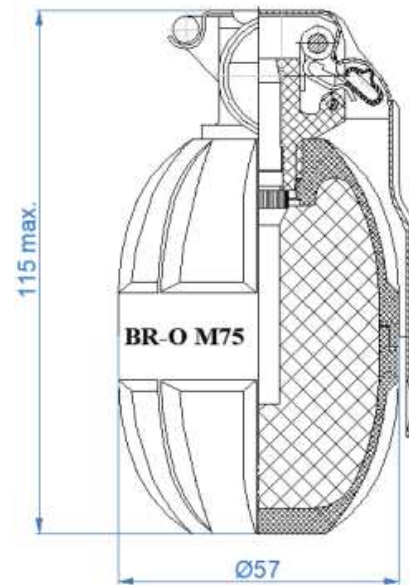


TECHNICAL DATA

Weight	350 g
Explosive Charge	Plastic explosive of 36 g
Fragment diameter	2,5 – 2,9 mm
No. of fragments	~3000
Delay time	3 to 4 s
Number of penetrations	min. 2 p/m² in 6 m min. 1 p/m² in 9 m

➤ Offensive Hand Grenade BR-O M75

The BR-O M75 is offensive hand grenade without fragments. These are specially designed for use in closed rooms, such as bunkers, buildings or semi-closed areas like trenches.

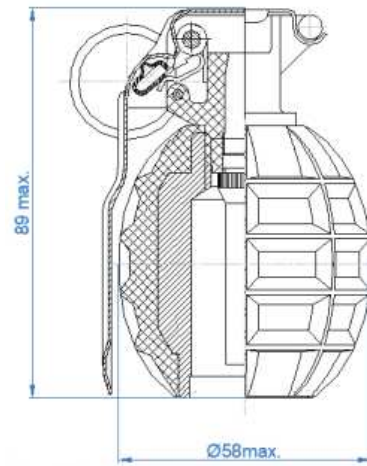


TECHNICAL DATA

Weight	230 g
Explosive Charge	Plastic explosive min. 100 g
Delay time	3 to 4,2 s

➤ Training Hand Grenade BRV M75

Training hand grenade BRV M75 is designed for grenade training to safely simulate the BR M75 grenade. The body can be reused several times replacing the fuze mechanism.



TECHNICAL DATA

Weight	355 g
Delay time	3 to 4 s
Repeated use of grenades bodymin	min. 120 times