



Concrete Batching Plants

FABO[®]
www.fabo.com.tr

Crushing Screening Plants



Mobile Crushing Screening and Washing Plants

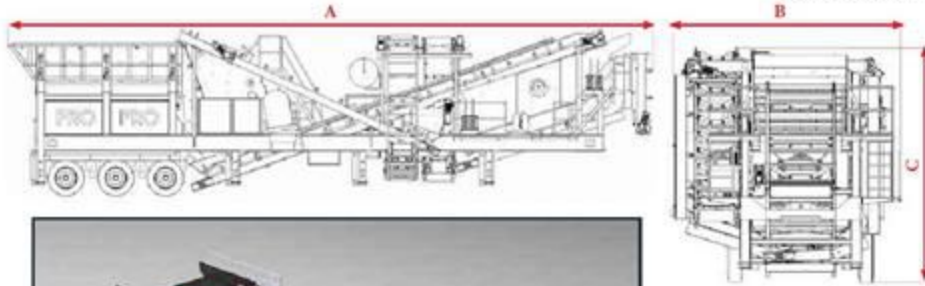
Mobil Kırma Eleme ve Yıkama Tesisleri



Pro Serie
Mobile Crushing
Screening Plant
Pro Serisi
Mobil Primer
Darbeli Kıırma
Eleme Testleri



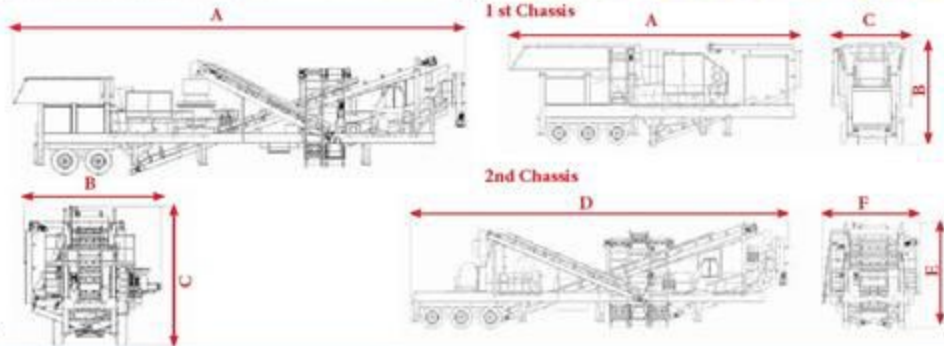
MODEL	PRO-70	PRO-90	PRO-100	PRO-120	PRO-150	PRO-180	MAIN DIMENSIONS (mm) (ft/inch)			
PRODUCTION CAPACITY (Üretim Kapasitesi)	10-50 Tm/Hour	50-130 Tm/Hour	130-180 Tm/Hour	180-250 Tm/Hour	250-350 Tm/Hour	350-450 Tm/Hour	MODEL	L _{total}	B _{total}	H _{total}
MAXIMUM FEEDING (Maksimum Besleme)	300 mm	500 mm	600 mm	700 mm	800 mm	1000 mm	PRO-70	16000	3900	4500
IMPACT CRUSHER ROTOR (Darbeli Kıırma Rotor Ebadı)	Ø 1100x700 mm	Ø 1100x900 mm	Ø 1200x1000 mm	Ø 1200x1200 mm	Ø 1200x1500 mm	Ø 1400x1800 mm	PRO-90	18500	4200	4650
VIBRATING SCREEN SIZE (Treyimli Eleme Ebadı)	1300x3000 mm	1400x4000 mm	1800x4500 mm	2000x5000 mm	2300x5500 mm	2500x6000 mm	PRO-100	18000	4300	4700
TOTAL MOTOR POWER (Toplam Motor Gücü)	154 kW	196 kW	290 kW	360 kW	423 kW	655 kW	PRO-120	18500	4400	4700
GENERATOR - OPTIONAL (Generatör - Opsiyonel)	300 kW	400 kW	450 kW	630 kW	900 kW	1200 kW	PRO-150	20000	4700	4700
							PRO-180	21000	4700	4700



Mck Serie
Mobile Hard
Stone Crushing
Screening Plant
Mck Serisi
Mobil Sert Taş
Kırma Eleme
Tesisleri



	MCK-80	MCK-90	MCK-95	MCK-110	MCK-115	MAIN DIMENSIONS (GENEL ÖLÇÜLER)							
PRODUCTION CAPACITY (Üretim Kapasitesi)	40-80 Tons/Hour	60-80 Tons/Hour	100-180 Tons/Hour	100-180 Tons/Hour	180-300 Tons/Hour	180-300 Tons/Hour	MODEL	A (mm)	B (mm)	C (mm)	D (mm)	E (mm)	F (mm)
MAXIMUM FEEDING (Maksimum Besleme)	380 mm	380 mm	600 mm	600 mm	800 mm	800 mm	MCK-60	2100	440	460	-	-	-
PRIMARY JAW CRUSHER (Primer Çene Kırıcı)	600x400 mm	600x400 mm	900x650 mm	900x650 mm	1100x850 mm	1100x850 mm	MCK-65	2100	460	460	-	-	-
IMPACT CRUSHER / CONE (Darbeli Kırıcı / Koni)	Ø 1200x650 mm	FABO CD-100 Cone	Ø 1120x1250 mm	FABO CD-200 Cone	Ø 1120x1500 mm	FABO CD-300 Cone	MCK-90	11500	4600	4200	15000	4650	4400
VIBRATING SCREEN SIZE (Titreyenli Eleme Ebatı)	1300x4000 mm	1300x4000 mm	1700x4500 mm	1700x4500 mm	2200x5000 mm	2200x5000 mm	MCK-95	11500	4600	4200	15000	4650	4400
TOTAL MOTOR POWER (Toplam Motor Gücü)	223 kW	185 kW	340 kW	315 kW	500 kW	450 kW	MCK-110	13000	4700	4400	17500	4700	4600
GENERATOR - OPTIONAL (Jeneratör - Opsiyonel)	350 kVA	300 kVA	450 kVA	400 kVA	660 kVA	600 kVA	MCK-115	13000	4700	4400	17500	4700	4600

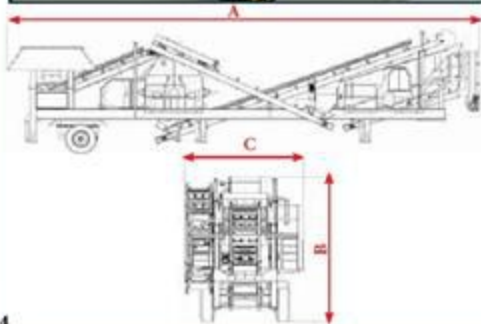


MTK Mobile Tertiary Crushing Screening Plant and MVSI Mobile Vertical-Shaft Impact Crusher, Screening Plant

MTK Mobil Tersiyer Kırma, Eleme Tesisi ve MVSI Mobil Dik Milli Kırma Eleme Tesisi



	MTK-130	MVSI-700	MVSI-900	MVSI-1000	MAIN DIMENSIONS (GENEL ÖLÇÜLER)					
PRODUCTION CAPACITY (Üretim Kapasitesi)	75-120 T/H	150-200 T/H	200-300 T/H	100-150 T/H	200-300 T/H	250-400 T/H	MODEL	A (mm)	B (mm)	C (mm)
CRUSHER TYPE AND SIZE (Kırma Tipi ve Ebatı)	TERTIARY IMPACT (Tersiyer Dik Mil)	TERTIARY IMPACT (Tersiyer Dik Mil)	TERTIARY IMPACT (Tersiyer Dik Mil)	VS VERTICAL SHAFT (VS Dik Mil)	VS VERTICAL SHAFT (VS Dik Mil)	VS VERTICAL SHAFT (VS Dik Mil)	MTK-65	16000	4500	3600
VIBRATING SCREEN SIZE (Türemeli Ekran Ebatı)	1200x1000mm	1400x1200mm	1600x1200mm	1800x1200mm	2000x1200mm	2200x1200mm	MTK-100	16000	4500	3700
MAX FEEDING SIZE (Maksimum Besleme)	120mm	120mm	120mm	25mm	45mm	100mm	MTK-130	17000	4500	3900
TOTAL MOTOR POWER (Toplam Motor Gücü)	180 kW	300 kW	360 kW	180 kW	480 kW	600 kW	MVSI-700	16200	4550	4000
GENERATOR - OPTIONAL (Jeneratör - Opsiyonel)	200 kVA	400 kVA	500 kVA	300 kVA	600 kVA	1000 kVA	MVSI-900	17500	4700	4400
							MVSI-1000	18000	4700	4500



MIC and MJK
Mobile Primary
Group Crushing
Plants

MIC ve MJK Serisi
Mobil Primer
Grubu Kıırma
Eleme Tesisleri



MODEL	MIC 70	MIC 90	MIC 100	MIC 120	MIC 150	MJK 60	MJK 90	MJK 110
PRODUCTION CAPACITY (Üretim Kapasitesi)	70-100 T/H	100-150 T/H	150-200 T/H	200-250 T/H	300-400 T/H	40-120 T/H	120-180 T/H	180-220 T/H
MAX. FEEDING (Maksimum Besleme)	350 MM	500 MM	400 MM	700 MM	800 MM	380 MM	600 MM	800 MM
ROTOR - INLET SIZE (Rotor - Gııe Ebatı)	Ø1100X700MM	Ø1100X900MM	Ø1200X1000MM	Ø1200X1200MM	Ø1200X1500MM	600X400MM	900X650MM	1200X850MM
TOTAL MOTOR POWER (Toplam Motor Gücü)	120 kW	150 kW	220 kW	280 kW	350 kW	50 kW	100 kW	150 kW
GENERATOR - OPTIONAL (Jeneratör - Opsiyonel)	200 kVA	300 kVA	380 kVA	400 kVA	700 kVA	100 kVA	180 kVA	300 kVA

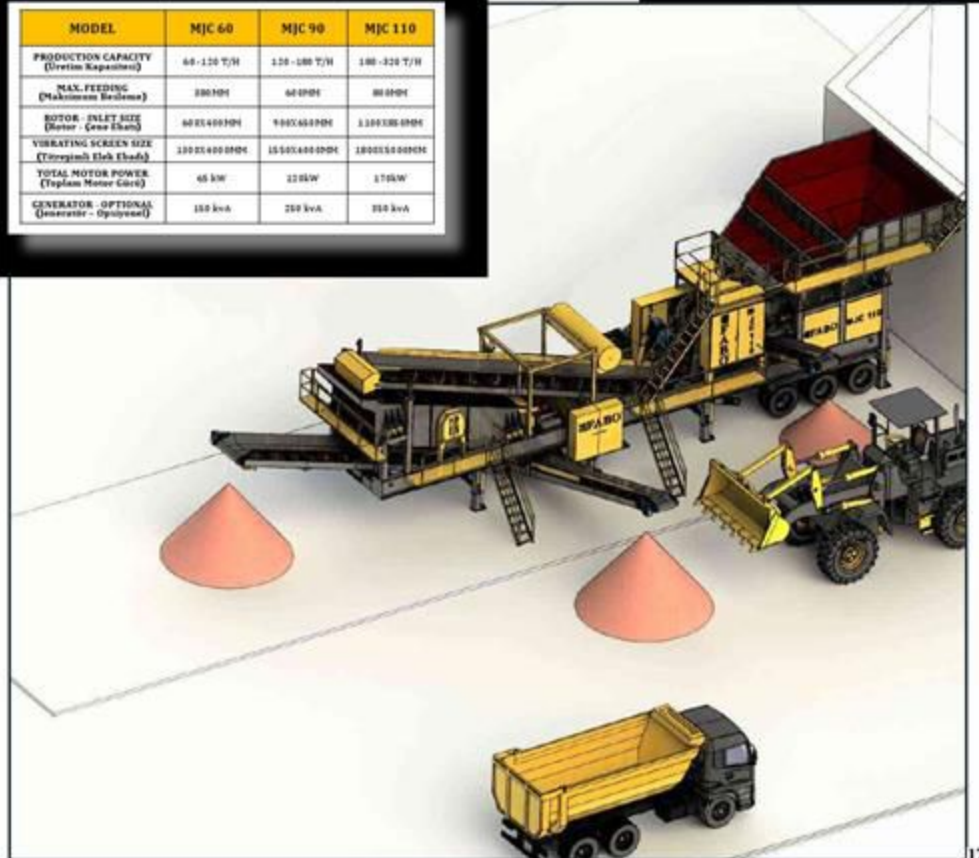


MJC Series
Mobile Crushing
and Screening
Plants

MJC Serisi Mobil
Kıırma Eleme
Tesisleri



MODEL	MJC 60	MJC 90	MJC 110
PRODUCTION CAPACITY (Üretim Kapasitesi)	60-120 T/H	120-180 T/H	180-220 T/H
MAX. FEEDING (Maksimum Besleme)	300 MM	400 MM	500 MM
ROTOR - INLET SIZE (Rotor - Gııe Ebatı)	600X400MM	900X650MM	1200X850MM
VIBRATING SCREEN SIZE (Tıırsımın Ebatı)	1200X400MM	1500X400MM	1800X500MM
TOTAL MOTOR POWER (Toplam Motor Gücü)	45 kW	22 kW	170 kW
GENERATOR - OPTIONAL (Jeneratör - Opsiyonel)	150 kVA	250 kVA	350 kVA



MCC and MDMK
Series Mobile
Crushing Plants
MCC ve MDMK
Serisi Mobil Kıırma
Tesisleri



MODEL	MCC 100	MCC 200	MCC 300	MDMK 01	MDMK 02	MDMK 03
PRODUCTION CAPACITY (Üretim Kapasitesi)	80-100 TPH	150-250 TPH	220-340 TPH	130-200 TPH	170-250 TPH	250-350 TPH
MAX. FEEDING (Maksimum Besleme)	150 mm	180 mm	225 mm	0-450 mm	0-450 mm	0-450 mm
VIBRATING SCREEN SIZE (Tireginin Etek / Ebadı)	1300x4000 mm	1700x4500 mm	2200x5500 mm	1400x4000 mm	1700x4500 mm	2200x5000 mm
IMPACT CRUSHER / CONE (Darbeli Kıırıcı / Koni)	CC 100	CC 200	CC 300	DMK 01	DMK 02	DMK 03
TOTAL MOTOR POWER (Toplam Motor Gücü)	147 kW	197 kW	274 kW	197 kW	345 kW	297 kW



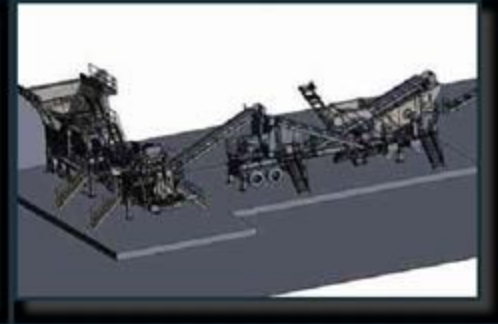
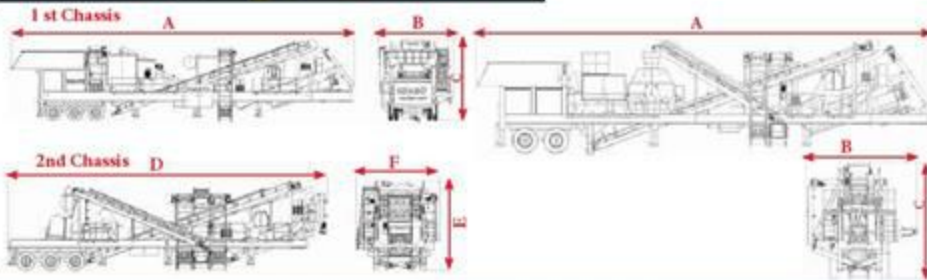
Fullstar Serie
Mobile Crushing
Screening
Washing Plant
Fullstar Serisi
Mobil Kırma
Eleme Yıkama
Tesisleri



MODEL	FULLSTAR-60	FULLSTAR-65	FULLSTAR-90	FULLSTAR-95	FULLSTAR-110	FULLSTAR-115
PRODUCTION CAPACITY (Üretim Kapasitesi)	60-100 T/H	60-100 T/H	120-180 T/H	120-180 T/H	200-300 T/H	200-300 T/H
VIBRATING SCREEN SIZE (Titregeçmiş Etek Ebadı)	1300x4000 mm	1300x4000 mm	1700x4500 mm 1550x4000 mm (Grizzly)	1700x4500 mm 1550x4000 mm (Grizzly)	2200x5500 mm 1700x4500 mm (Grizzly)	2200x5500 mm 1700x4500 mm (Grizzly)
SCREW WASHER SIZE (Makama Helizomu Ebadı)	Ø 500x5000 mm (Twist)	Ø 500x5000 mm (Twist)	Ø 600x5000 mm (Twist)	Ø 500x5000 mm (Twist)	800x8000 mm (Twist)	800x8000 mm (Twist)
JAW CRUSHER SIZE (Çene Kırıcı Ebadı)	600x400 mm	600x400 mm	900x550 mm	900x550 mm	1200x850 mm	1100x850 mm
IMPACT CRUSHER ROTOR (Darbeli Kırıcı Rotor Ebadı)	Ø 1200x650 mm	FABO CC-100 CONE	Ø 1250x1000 mm	FABO CC-200 CONE	Ø 1250x1500 mm	FABO CC-300 CONE
MAXIMUM FEEDING SIZE (Maksimum Besleme Ebadı)	380 mm	380 mm	600 mm	600 mm	800 mm	800 mm
TOTAL MOTOR POWER (Toplam Motor Gücü)	232 kW	200 kW	377 kW	309 kW	560 kW	520 kW
GENERATOR - OPTIONAL (Jeneratör - Opsiyonel)	250 kVA	230 kVA	450 kVA	380 kVA	700 kVA	680 kVA



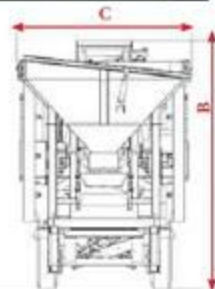
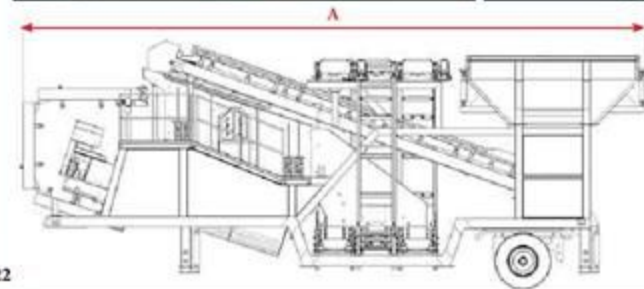
MAIN DIMENSIONS (GENEL ÖLÇÜLER)						
MODEL	A (mm)	B (mm)	C (mm)	D (mm)	E (mm)	F (mm)
FULLSTAR-60	21000	4650	4650	-	-	-
FULLSTAR-65	21000	4650	4650	-	-	-
FULLSTAR-90	18000	4300	4600	15500	4450	4400
FULLSTAR-95	18000	4300	4600	15500	4450	4400
FULLSTAR-110	22000	4700	4700	17500	4450	4600
FULLSTAR-115	22000	4700	4700	17500	4450	4600

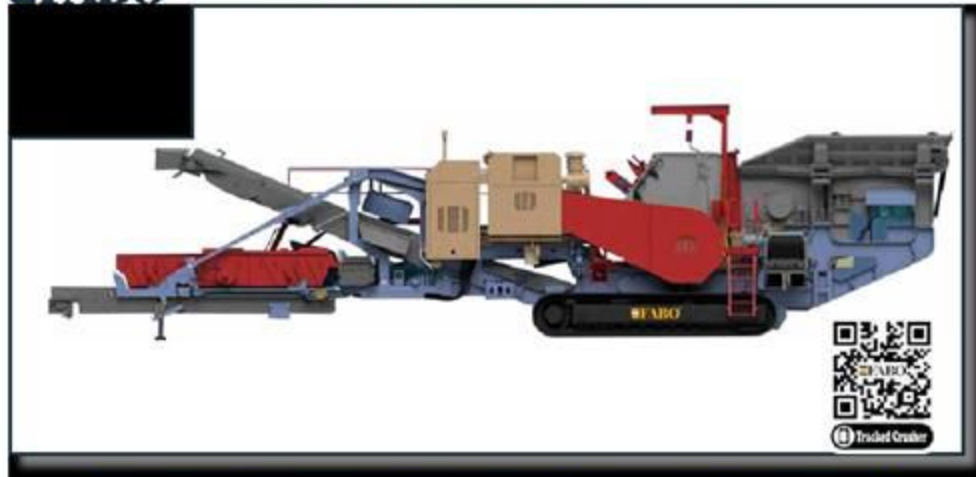


MEY and ME Series
Mobile Screening
Washing Plant
MEY ve ME Serisi
Mobil Eleme
Yıkama
Tesisleri



	ME-1230	MEY-1230	ME-1645	MEY-1645	ME-2050	MEY-2050	MAIN DIMENSIONS (GENEL ÖLÇÜLER)			
							MODEL	A (mm)	B (mm)	C (mm)
PRODUCTION CAPACITY (Üretim Kapasitesi)	70-120 T/H	70-120 T/H	120-200 T/H	120-200 T/H	200-300 T/H	200-300 T/H	ME-1230	10000	4500	3300
VIBRATING SCREENS SIZE (Türegimsi Eleme Çabak)	1200x3000 mm	1200x3000 mm	1400x4500 mm	1400x4500 mm	2000x5000 mm	2000x5000 mm	MEY-1230	12000	4500	3300
SCREEN WASHER SIZE (Heliçon Yıkama Çabak)	-	500x2000 mm(Single)	-	600x2000 mm(Twin)	-	800x2000mm(Twin)	ME-1645	11000	4500	3600
TOTAL MOTOR POWER (Toplam Motor Gücü)	42 kW	50 kW	53 kW	68 kW	65 kW	87 kW	ME-1645	13500	4500	3600
GENERATOR - OPTIONAL (Jeneratör - Opsiyonel)	80 kVA	100 kVA	100 kVA	120 kVA	100 kVA	150 kVA	ME-2050	14000	4500	4000
							MEY-2050	15500	4500	4000



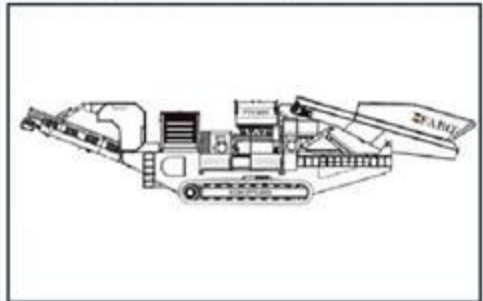
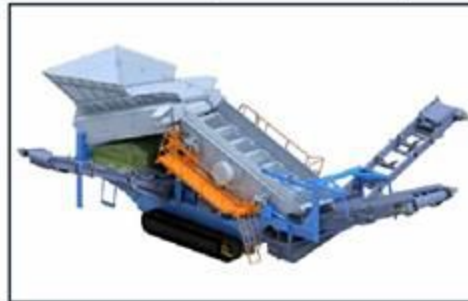


MODEL	FTJ-65	FTJ-90	FTJ-110	FTJ 140
PRODUCTION CAPACITY (Üretim Kapasitesi)	70-150 TPH	100-180 TPH	100-250 TPH	300-600 tph
Crusher Type (Kırıcı Tipi)	Jaw crusher Çene Kırıcı	Jaw crusher Çene Kırıcı	Jaw crusher Çene Kırıcı	Jaw crusher Çene Kırıcı
INLET DIMENSION (Ağz Ölçüsü)	600X400 MM	900X600MM	1000X600MM	1415mm x 820mm
CSS SETTING (Çıkış Ağz Açıklığı)	30-100MM	50-150MM	80-200MM	80-240
MAX FEEDING (Maksimum Besleme)	300 MM	500 MM	550 MM	1000 mm
TOTAL POWER (Güç)	85 kvA	140 kvA	220 kvA	331kW
WEIGHT (Ağırlık)	19500 KG	28500 KG	36000 KG	80000 kg
DIMENSIONS (Ölçüler)	2400X10500X3100MM	2500X12500X3300MM	2800X15500X3600MM	3800 x 3380x1800

MODEL	FTI-90	FTI-100	FTI-125	FTV-70	FTV-90	FTC-900
PRODUCTION CAPACITY (Üretim Kapasitesi)	50-200 TPH	100-250 TPH	150-350 TPH	100-150 TPH	150-250 TPH	80-200 TPH
Crusher Type (Kırıcı Tipi)	Impact Crusher Darbeli Kırıcı	Impact Crusher Darbeli Kırıcı	Impact Crusher Darbeli Kırıcı	VSI Vertical shaft Dik Millli Kırıcı	VSI Vertical shaft Dik Millli Kırıcı	Gene Crusher Kanık Kırıcı
FEEDING DIMENSION (Besleme Ebadı)	Ø 900x900 mm	Ø 1000x1000 mm	Ø 1300x1275 mm	Ø 700	Ø 900	1000 mm
CSS SETTING (Çıkış Ağz Açıklığı)	0-50mm	0-50mm	0-70mm	0-25mm	0-25mm	0-70mm
MAX FEEDING (Maksimum Besleme)	600mm	700mm	800mm	30mm	45mm	185mm
TOTAL POWER (Güç)	210 kvA	290 kvA	450 kvA	-	-	200 kvA
WEIGHT (Ağırlık)	29500Kg	37000kg	49000Kg	-	-	33500kg
DIMENSIONS (Ölçüler)	2850x10500x3200 mm	3000x12000x3200 mm	3200x14700x3800 mm	-	-	2800x15500x3450 mm



MODEL	FTS 1540-2	FTS 1540-3	FSB 1550	FSA 1550
PRODUCTION CAPACITY (Üretim Kapasitesi)	130-180 TPH	170-220 TPH	250-400 TPH	250-400 TPH
VIBRATING SCREEN SIZE (Titreşimli Elek Ebadı)	1540X4000MM	1550X6000MM	1550X4500MM	1550X4500MM
TOTAL POWER (Güç)	110 kvA	125 kvA	110 kvA	110 kvA
WEIGHT (Ağırlık)	32000KG	36000KG	30000KG	30000KG

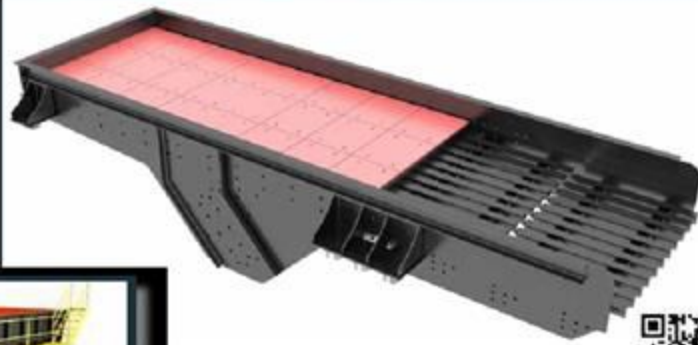


Crushing Screening and Washing Plants

Kırma Eleme ve Yıkama Tesisleri



Vibrating Feeder
Grizzly
Bunker
Titreşimli
Besleyici
Bunkerler



Crushing Plants

TECHNICAL SPECIFICATIONS (Teknik Özellikler)

MODEL	Feeder Width (Besleyici Geniřliđi)	Feeder Length (Besleyici Uzunluđu)	Hopper Volume (Bunker Hacmi)	Capacity (Kapasite)	Motor Power (Motor Gücü)
TBX-25	800 mm	3150 mm	35 m ³	100-200 TPH	2 x 3.2 kW
TBX-35	950 mm	4000 mm	35 m ³	200-300 TPH	2 x 4.5 kW
TBX-45	1100 mm	4800 mm	45 m ³	300-400 TPH	2 x 9.2 kW
TBX-55	1300 mm	5000 mm	55 m ³	400-800 TPH	2 x 11 kW

CONVEYOR FEEDER TECHNICAL SPECIFICATIONS (Teknik Özellikler)

MODEL	DIMENSION (Ölçüler)	POWER (Motor Gücü)	CAPACITY (Kapasite)
FBF-0730	750x3000 mm	5.5 kW	100-200 tph
FBF-1040	1000x4000 mm	7.5 kW	200-300 tph
FBF-1248	1200x4800 mm	11 kW	300-400 tph
FBF-1350	1300x5000 mm	15 kW	400-500 tph

TRACK FEEDER TECHNICAL SPECIFICATIONS (Teknik Özellikler)

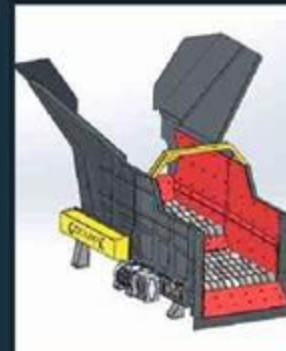
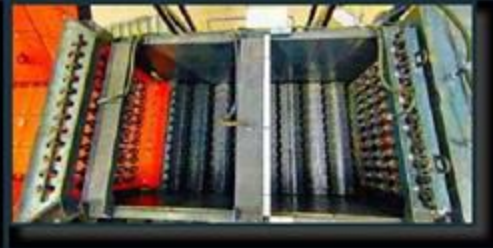
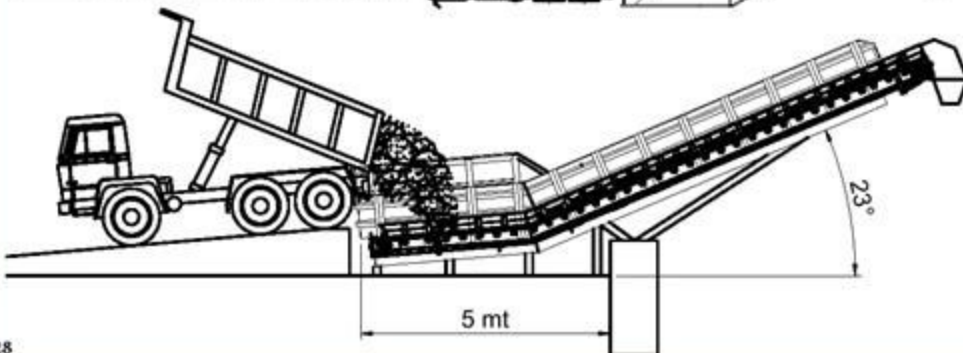
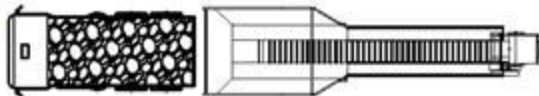
MODEL	DIMENSION (Ölçüler)	Motor Power (Motor Gücü)	SPEED (rpm) (Devir)	Capacity (Kapasite)	Weight (Ağırlık)
FCF-0620	600x2000 mm	7.5 kW	1500	150-200 TPH	4000KG
FCF-0925	900x2500 mm	11 kW	1500	200-250 TPH	10000KG
FCF-1135	1100x3500 mm	11 kW	1500	300-350 TPH	12000KG
FCF-1350	1300x5000 mm	22 kW	1500	400-450 TPH	15000KG
FCF-1550	1500x5000 mm	22 kW	1500	500-700 TPH	17000KG

WOBBLER FEEDER TECHNICAL SPECIFICATIONS (Teknik Özellikler)

MODEL	DIMENSION (Ölçüler)	POWER (Motor Gücü)	CAPACITY (Kapasite)
FWF-1035	1000x3500 mm	22 kW	200-300 tph
FWF-1235	1200x3500 mm	22 kW	300-400 tph
FWF-1440	1400x4000 mm	30 kW	350-450 tph
FWF-1640	1600x4000 mm	37 kW	400-500 tph
FWF-1650	1600x5000 mm	45 kW	500-600 tph

APRON FEEDER TECHNICAL SPECIFICATIONS (Teknik Özellikler)

MODEL	DIMENSION (Ölçüler)	POWER (Motor Gücü)	CAPACITY (Kapasite)
FCB1412	1400x12000 mm	2x22 kW	150-300 tph



Jaw
Crushers
Çeneli
Kırıcılar

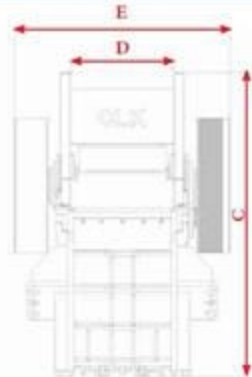
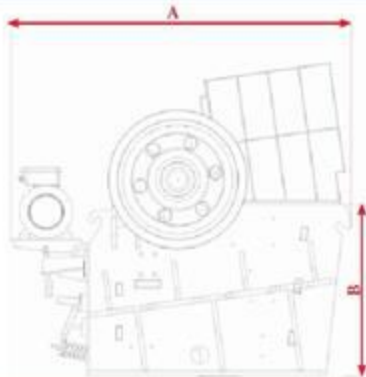


TECHNICAL SPECIFICATIONS (Teknik Özellikler)

MODEL	INLET DIMENSIONS (Ağız Ölçüleri)	CLOSED SIZE SETTING (Genel Ayıklığı)	MAX FEEDING (Maks Besleme)	CAPACITY (Kapasite)	MOTOR (Motor Gücü)	WEIGHT (Ağırlık)
CLK-60	600 x 450 mm	50-100	300 mm	60-120 T/H	37 kW	6900 kg
CLK-90	900 x 650 mm	50-150	400 mm	120-180 T/H	75 kW	13000 kg
CLK-110	1100 x 850 mm	80-200	500 mm	180-320 T/H	112 kW	16100 kg
CLK-140	1400 x 1100 mm	120-200	1000 mm	320-600 T/H	200 kW	30950 kg

DIMENSIONS (Genel Ölçüler)

MODEL	A mm	B mm	C mm	D mm	E mm
CLK-60	2200	1100	1060	670	1430
CLK-90	2700	1400	1150	970	1950
CLK-110	3000	1610	1210	1155	2100
CLK-140	5110	2615	4355	1400	3000

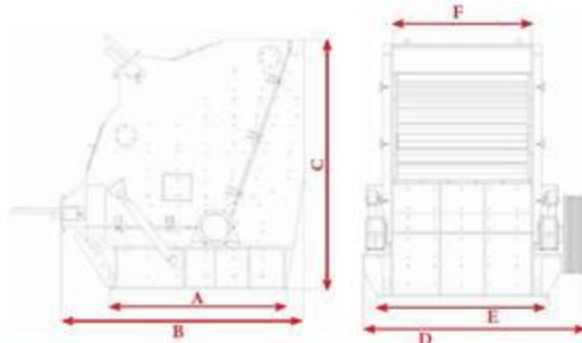


Primary Impact Crushers

Primer Darbelli Kıırıcılar



TECHNICAL SPECIFICATIONS (Teknik Özellikler)							DIMENSIONS (Genel Ölçüler)						
MODEL	ROTOR SIZE (Rotor Ebatları)	MAX FEEDING (Maks Besleme)	CAPACITY (Kapasite)	MOTOR POWER (Motor Gücü)	SPEED (Hız)	WEIGHT (Ağırlık)	MODEL	A (mm)	B (mm)	C (mm)	D (mm)	E (mm)	F (mm)
PDK 70	Ø 1100 x 700 mm	350 mm	70-100 T/H	110 kW	750 rpm	8150 kg	PDK 70	1810	2340	2210	1500	1124	700
PDK 90	Ø 1100 x 900 mm	500 mm	100-150 T/H	132 kW	750 rpm	9300 kg	PDK 90	1810	2340	2210	1700	1224	900
PDK 100	Ø 1200 x 1000 mm	600 mm	150-200 T/H	200 kW	750 rpm	15000 kg	PDK 100	2010	2630	2610	1950	1540	1100
PDK 120	Ø 1200 x 1200 mm	700 mm	200-300 T/H	250 kW	750 rpm	19740 kg	PDK 120	2010	2630	2610	2150	1740	1200
PDK 150	Ø 1200 x 1500 mm	800 mm	300-400 T/H	315 kW	750 rpm	25000 kg	PDK 150	2075	2600	2920	2070	1900	1600
PDK 180	Ø 1600 x 1000 mm	1000 mm	400-600 T/H	2 x 250 kW	500 rpm	31000 kg	PDK 180	2075	3000	2920	2070	2200	1900



PDK kırıcılar, kırma hızı çok yüksek olup, birincil taş kırıcı olarak kullanılır. Orta sertlikte ve az aşındırıcı özellikte sağıp taşları kırma için mühendislerimiz tarafından titizlikle üretilmiştir. Kırıcı tipli rotasız kırıcı olup, kırılma ve kırık oranı çok yüksek kırıcıdır. Primer Darbelli Kırıcılar, özel alaşımlı paletler ve kırma plakaları sayesinde büyük ebatlı taşların kırılmasında tercih sebebi olmaktadır. Primer Darbelli Kırıcımızın, tüm ayar sistemi ve gövde açılım mekanizması, hidrolik pistonlar sayesinde kolayca yapılır. Primer Darbelli Kırıcılar, Mobil Primer Darbelli Kırıcı ve Sabit Primer Darbelli Kırıcı olarak üretilmektedir.

Genel Özellikleri ve Avantajları

- Yüksek kapasite
- Yüksek redüksiyon oranı
- Yüksek oranda kırık ve ince malzeme üretimi
- Hidrolik ayar sistemi sayesinde bakım kolaylığı
- Aşınmaya dayanıklı ağır plakalar
- Açınmaya maruz kalan kasnaklar sert dolgu keymalı ile korunmaktadır
- Paletler ve plakalar yüksek Krom ve Manganez çelik dökümdür

PDK Series Primary Impact Crusher is a rotor type crusher and an expert in crushing low abrasive materials with medium hardness with very high reduction and cubical ratio. Fabio Primary Impact Crushers can be preferred for crushing large sized stones and it lowers secondary crushing requirement in entire systems. PDK series impact crushers deliver unbeatable performances in primary, secondary and tertiary applications. The crusher consists of two parts, body opening and adjustment systems operate easily with the hydraulic power unit thus provides an advantage for easy maintenance and minimum stopping for a constantly work. We produce PDK crushers as Mobile Primary Impact Crusher and Fixed Primary Impact Crusher.

General Specifications and Features

- High capacity
- High reduction ratio
- Wear surfaces are protected by solid-tiler electrode welding
- Hammers and crushing plates are manufactured from high manganese steel casting
- Inner surfaces of the crusher is coated with wear resistant lining plate
- Wide intake with chain curtain due to protection from back-leaping
- Hydraulic setting system

Secondary Impact Crushers

Sekonder Darbell Kıırıcılar

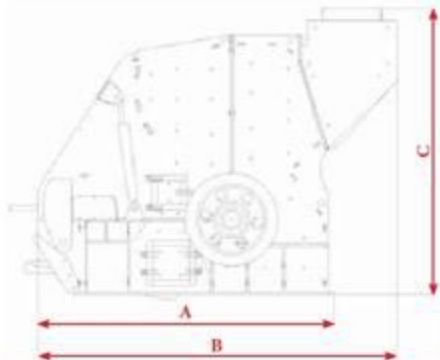


TECHNICAL SPECIFICATIONS (Teknik Özellikler)

MODEL	ROTOR SIZE (Rotor Ebadı)	MAX FEEDING (Maks Besleme)	CAPACITY (Kapasite)	MOTOR POWER (Motor Gücü)	SPEED (Hız)	WEIGHT (Ağırlık)
DMK-01	Ø 1120 x 1000 mm	450 mm	130-200 T/H	140 kW	750 rpm	12400 kg
DMK-02	Ø 1120 x 1250 mm	450 mm	170-250 T/H	200 kW	750 rpm	16400 kg
DMK-03	Ø 1120 x 1500 mm	450 mm	250-350 T/H	250 kW	750 rpm	21400 kg
DMK-05	Ø 1400 x 2000 mm	700 mm	450-600 T/H	500 kW	750 rpm	35000 kg

DIMENSIONS (Genel Ölçüler)

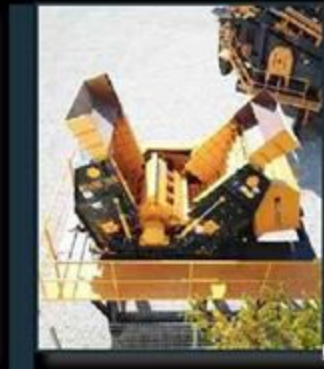
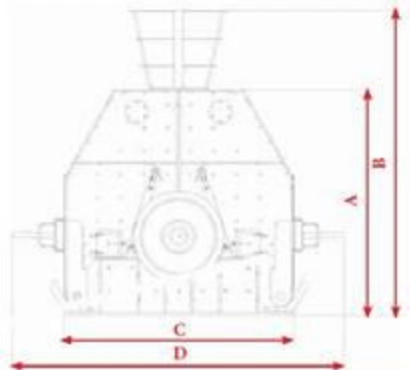
MODEL	A	B	C	D	E	F
DMK-01	2550	3080	2460	1630	2000	1130
DMK-02	2550	3080	2460	1880	2250	1380
DMK-03	2550	3080	2460	2130	2500	1630
-	-	-	-	-	-	-



**Tertiary Impact
Crushers**
*Tersiyer Darbelli
Kırıcılar*



TECHNICAL SPECIFICATIONS (Teknik Özellikler)						DIMENSION (Genel Ölçüler)							
MODEL	ROTOR SIZE (Rotor Ebadı)	MAX FEEDING (Maks Besleme)	CAPACITY (Kapasite)	MOTOR POWER (Motor Gücü)	SPEED (Hız)	WEIGHT (Ağırlık)	MODEL	A (mm)	B (mm)	C (mm)	D (mm)	E (mm)	F (mm)
TK 65	Ø 1200x1100mm	120mm	70-120 T/H	132-160 kW	1100 rpm	9320 kg	TK 65	1985	2685	2040	2900	1140	1500
TK 100	Ø 1200x1800mm	120mm	150-200 T/H	200-250 kW	1100 rpm	11500 kg	TK 100	1985	2685	2040	2900	1510	1890
TK 130	Ø 1200x1300mm	120mm	200-300 T/H	250-311 kW	750 rpm	12800 kg	TK 130	1985	2685	2040	2900	1780	2150
TK 150	Ø 1200x1500mm	120mm	300-400 T/H	315-355 kW	750 rpm	19000 kg	TK 150	1985	2685	2040	2900	1880	2350



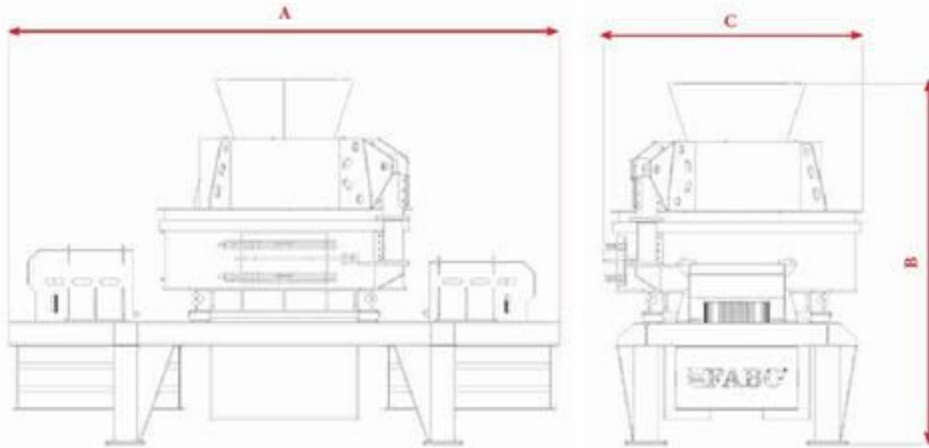
**Vertical Shaft
Impact Crusher**
Dik Millli
Kırıcılar



TECHNICAL SPECIFICATIONS (Teknik Özellikler)

DIMENSIONS (Genel Ölçüler)

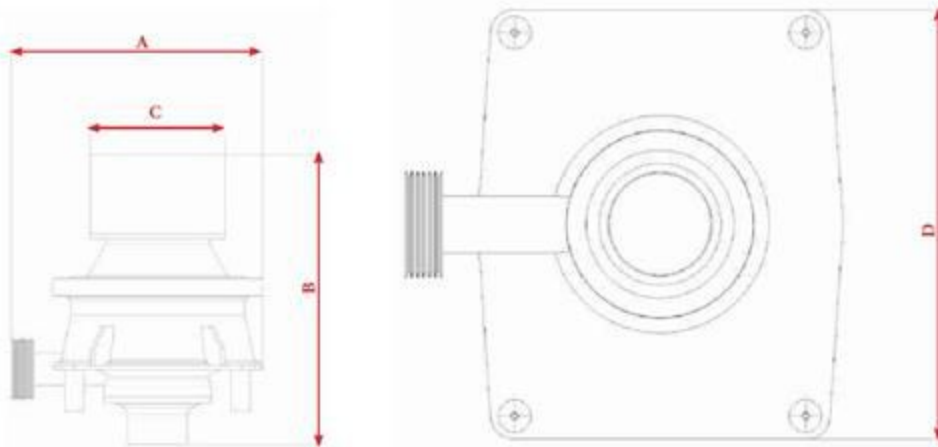
MODEL	Max Feeding Size (Maks Besleme)	ROTOR SIZE (Rotor Ebadı)	SPEED (Hz)	CAPACITY (Kapasite)	MOTOR POWER (Motor Gücü)	WEIGHT (Ağırlık)	MODEL	A	B	C
VSI-700 CR	30 mm	Ø 700 mm	50-70 m/s	40-140 T/H	160-200 kW	7500 kg	VSI-700 CR	4000	3000	2450
VSI-800 CR	40 mm	Ø 800 mm	50-70 m/s	50-160 T/H	2 x 132-140 kW	11500 kg	VSI-800 CR	5200	4570	3300
VSI-900 CR	45 mm	Ø 900 mm	50-70 m/s	100-300 T/H	2 x 160-200 kW	14000 kg	VSI-900 CR	6000	3900	3450
VSI-1000 OR	100 mm	Ø 1000 mm	50-70 m/s	150-400 T/H	2 x 200-250 kW	19000 kg	VSI-1000 OR	6500	3600	3400



Cone
Crushers
Koni
Kırıcılar



TECHNICAL SPECIFICATIONS (Teknik Özellikler)					DIMENSIONS (Genel Ölçüler)			
MODEL	Feed Opening (Besleme Açıklığı)	CAPACITY (Kapasite)	MOTOR POWER (Motor Gücü)	WEIGHT (Ağırlık)	MODEL	A (mm)	B (mm)	C (mm)
CC-100	150 mm	100-150 T/H	90 kW	6150 kg	CC-100	1950	2210	1030
CC-200	185 mm	200-250 T/H	110-132 kW	11230 kg	CC-200	2520	2540	1100
CC-300	241 mm	300-400 T/H	200 kW	16190 kg	CC-300	3030	2775	1200
CS-440	500 mm	300-550 T/H	220 kW	19300 kg	CS-440	3100	2850	1300



Vibrating
Screens
Titreşimli
Elekler



INCLINED SCREEN / AÇILI ELEK
TECHNICAL SPECIFICATIONS/TEKNİK DETAYLAR

MODEL	DIMENSION (Ebat)	MOTOR POWER (Motor Gücü)	SPEED (Hız)	CAPACITY (Kapasite)
TE-1330	1300x3000x2 mm	11 kW	1000 d/d	40-60 T/H
TE-1340	1300x4000x2 mm	11 kW	1000 d/d	40-90 T/H
TE-1440	1400x4000x2-4 mm	11-15 kW	1000 d/d	70-100 T/H
TE-1550	1500x5000x2-4 mm	15 kW	1000 d/d	80-110 T/H
TE-1650	1600x5000x2-4 mm	15-18 kW	1000 d/d	100-130 T/H
TE-2060	2000x6000x2-4 mm	22 kW	1000 d/d	180-230 T/H
TE-2060	2000x6000x2-4 mm TWIN SHAFT	2X15 kW	1000 d/d	180-250 T/H
TE-2260	2200x6000 x2-4mm	22 kW	1000 d/d	200-350 T/H
TE-2260	2200x6000x2-4 mm TWIN SHAFT	2 x 18.5 kW	1000 d/d	220-370 T/H
TE-2270	2200x7000x2-4 mm TWIN SHAFT	2 x 22 kW	1000 d/d	250-390 T/H
TE-2460	2400x6000x2-4 mm TWIN SHAFT	2 x 22 kW	1000 d/d	250-400 T/H

HORIZONTAL SCREEN / YATAY ELEK
TECHNICAL SPECIFICATIONS/TEKNİK DETAYLAR

MODEL	DIMENSION (Ebat)	MOTOR POWER (Motor Gücü)	SPEED (Hız)	CAPACITY (Kapasite)
TE-2060	2000x6000x2-4 mm	2X15 kW	1000 d/d	220-350 T/H
TE-2260	2200x6000x2-4 mm	2X18.5 kW	1000 d/d	250-370 T/H
TE-2460	2400x6000x2-4 mm	2X22 kW	1000 d/d	300-450 T/H

DEWATERING SCREEN / SUSUZLANDIRMA ELEĞİ
TECHNICAL SPECIFICATIONS/TEKNİK DETAYLAR

MODEL	DIMENSION (Ebat)	MOTOR POWER (Motor Gücü)	WATER CONSUMPTION (Su İhtiyacı)	CAPACITY (Kapasite)
DSHC-1224	1200x1400 mm With Pump / Pompalı	2X3.6 kW Vibro Motor	200-350 m ³ /h	70 T/H
DSHC-1530	1500x1600 mm With Pump / Pompalı	2X7.5 kW Vibro Motor	250-400 m ³ /h	120 T/H
DSHC-1540	1500x1800 mm With Pump / Pompalı	2X7.5 kW Vibro Motor	300-450 m ³ /h	160 T/H
DSHC-1840	1800x1800 mm With Pump / Pompalı	2X9 kW Vibro Motor	600 m ³ /h	200 T/H

BANANA TYPE SCREEN / MUZ TİPİ ELEK
TECHNICAL SPECIFICATIONS/TEKNİK DETAYLAR

MODEL	DIMENSION (Ebat)	MOTOR POWER (Motor Gücü)	SURFACE AREA (Yüze Alanı)	CAPACITY (Kapasite)
BTE-1261	1200x6100 mm	7.5 kW	7.82m ²	2.5-122 T/H
BTE-1861	1800x6100 mm	15 kW	11m ²	3.8-185 T/H
BTE-2461	2400x6100 mm	22 kW	14.66m ²	5-244 T/H



Conveyor Belts
Konveyör Bantlar



Crushing Plants

